



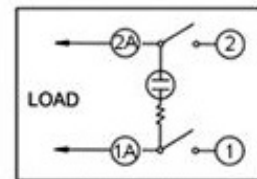
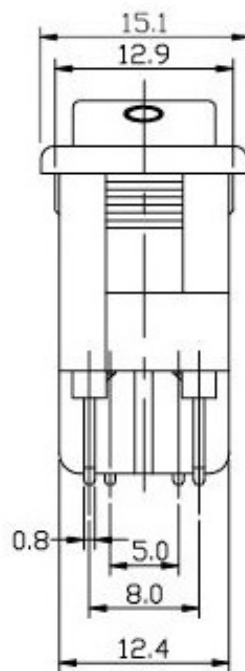
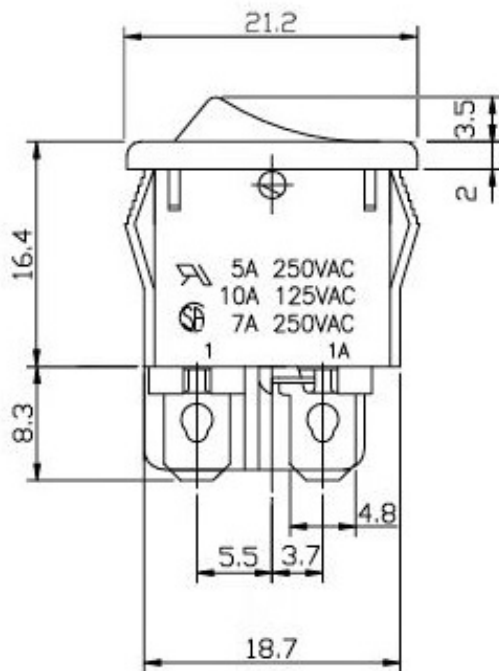
Item No. : B1151

RoHS :  RoHS

Description :

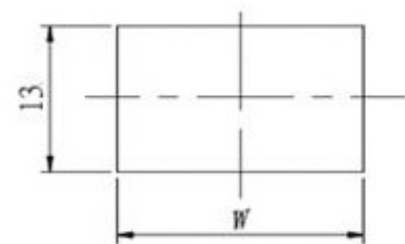
4P illuminated rocker switch (DPST)
 on-off W/approval
 125V 10A (250V 5A)

Approval:



SCHMATIC

W	Panel Thickness
0.75-1.25	19.2/19.1
1.25-2.0	19.4/19.3
2.0-3.0	19.8/19.7



MOUNTING HOLE

Specifications

Contact rating: 10A 125VAC 5A 250VAC
 Contact resistance: 20mΩ Max initial
 Insulation resistance: DC 500V 500MΩ Min
 Withstand voltage: 2,000VAC 1minute
 Life cycles: over 10,000 cycles
 Operating force: 600±200g