



2-channel analog input; 2- to 4-conductor connection; Single-ended

Item No.: 750-466



2-channel analog input; 2- to 4-conductor connection; Single-ended

Marking

RoHS ✓
Compliant

Business data

Supplier	WAGO
Item no.	750-466
GTIN / EAN	4045454392949
Content	1
Order amount	1
Customer item number	

Notes

*Item description:*The analog input module powers the transducers, receives transmitted analog signals, and with electrical isolation, transmits the signals to the fieldbus. The 24V supply for the field is derived from the module's power jumper contacts. The shield (screen) is directly connected to the DIN rail. This input module can supply the voltage for 2-wire transducers.

Technical data

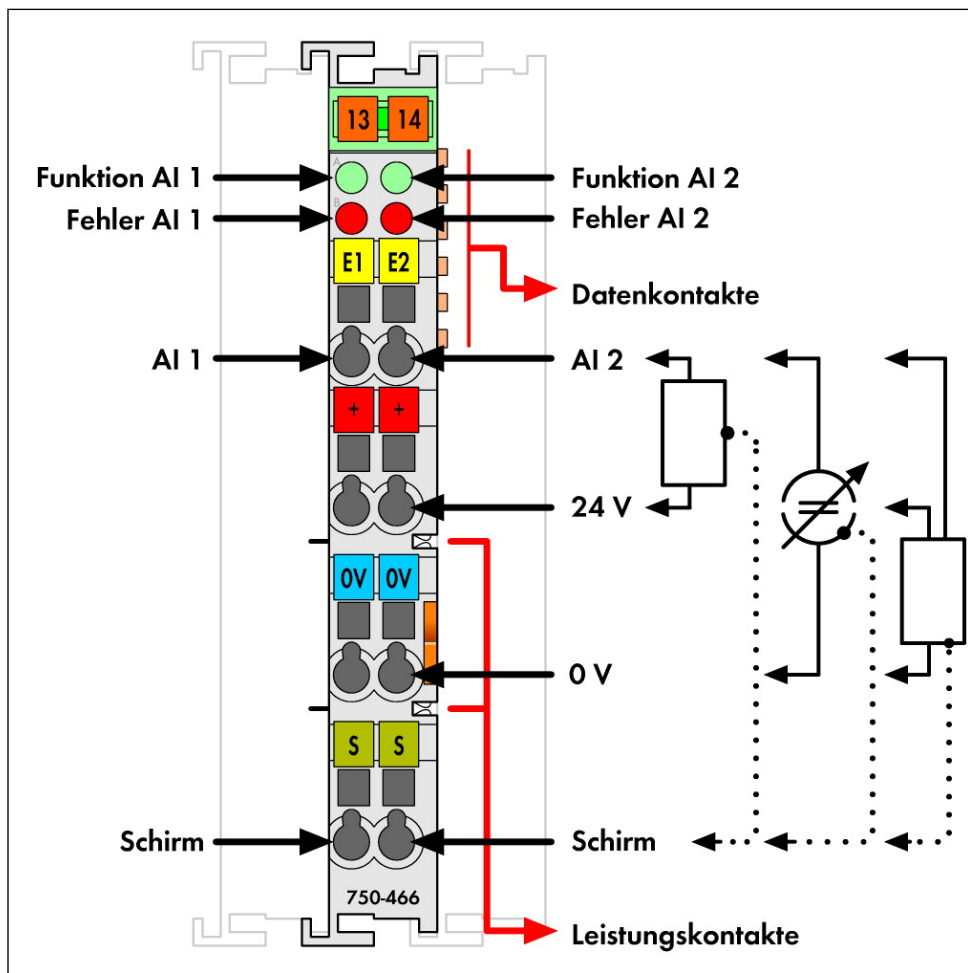
Miscellaneous

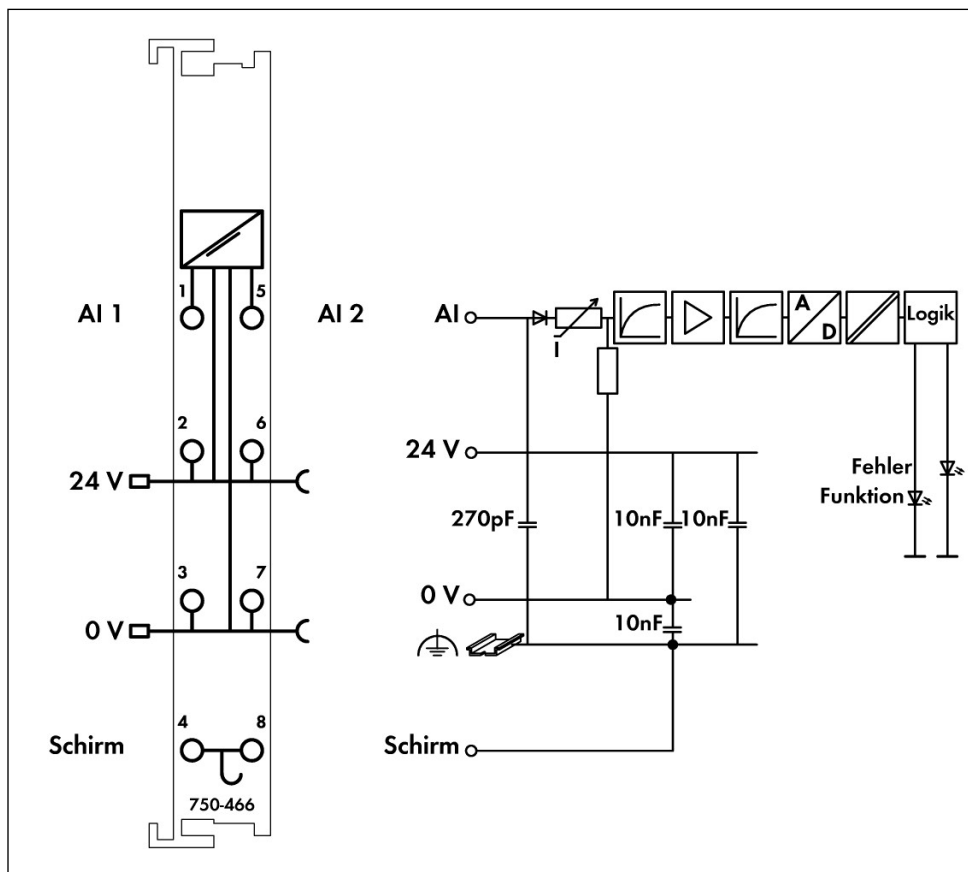
Color	light gray
Conformity marking	CE
Number of inputs	2

Technical data	
Power supply	via system voltage DC/DC
Isolation	500 V system/supply
Current consumption (internal) (3) [mA]	75 [mA]
Input voltage (max.)	10V
Signal current	4 - 20mA
Input resistance	< 220 / 20mA
Resolution	12 bits
Conversion time (typ.) [ms]	2 [ms]
Measuring error (25 °C)	< ± 0.2 % of the full scale value
Temperature coefficient	< ± 0.01 % / K of the full scale value
Bit width	2 x 16-bit data; 2 x 8-bit control/status (optional)
Type of signal	4 ... 20 mA
Degree of protection	IP20
Connection technology	CAGE CLAMP®
Solid conductor	0.08 ... 2.5 mm ² / 28 ... 14 AWG
Fine-stranded conductor	0.08 ... 2.5 mm ² / 28 ... 14 AWG
Strip length	8 ... 9 mm / 0.31 ... 0.35 Inch
Fire load [MJ]	1.117 [MJ]
Weight [g]	49.93 [g]
Width	12 mm / 0.472 Inch
Height	69.8 mm / 2.748 Inch
Height from upper-edge of DIN-35 rail	62.6 mm / 2.465 Inch
Depth	100 mm / 3.937 Inch
Storage temperature	-25 °C ... +85 °C
Relative air humidity (no condensation) [%]	95 [%]
Type of mounting	DIN-35 x 15 carrier rail
Operating temperature	0°C ... +55°C
EMC emission of interference	acc. to EN 61000-6-4
EMC immunity to interference	acc. to EN 61000-6-2
Shock resistance	acc. to IECacc. to IEC 60068-2-27
Vibration resistance	acc. to IECacc. to IEC 60068-2-6

Images & drawings







Address

WAGO Kontakttechnik GmbH & Co. KG

Hansastr. 27

32423 Minden

Telefon: 0571/887-0

Fax: 0571/887-169

<http://www.wago.com>

© WAGO Kontakttechnik GmbH & Co. KG

Technische Änderungen und Irrtümer vorbehalten.