



COMPACT PUSH WIRE® connector for junction boxes; 5-conductor terminal block; transparent housing; yellow cover

Item No.: 2273-205



COMPACT PUSH WIRE® connector for junction boxes; 5-conductor terminal block; transparent housing; yellow cover

Marking

RoHS ✓
Compliant

Business data

| | |
|----------------------|---------------|
| Supplier | WAGO |
| Item no. | 2273-205 |
| GTIN / EAN | 4050821027874 |
| Content | 1 |
| Order amount | 100 |
| Customer item number | |

Notes

Technical data

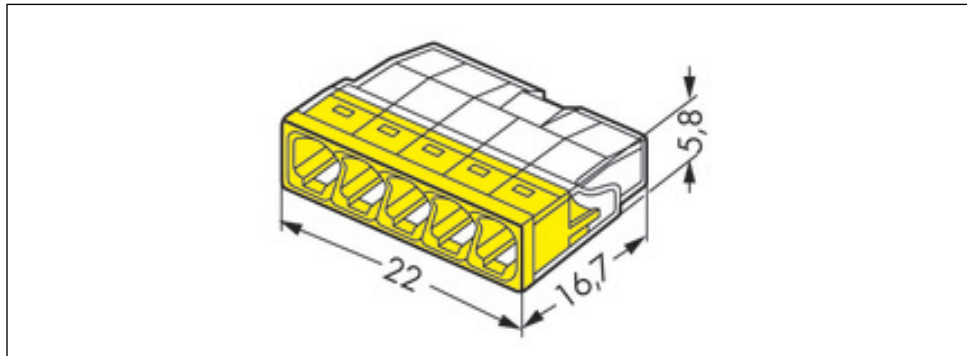
Miscellaneous

| | |
|-------------------------------------|-------------|
| Total number of connection points | 5 |
| Total number of potentials | 1 |
| Color | transparent |
| Rated voltage (II / 2) [V] | 450 [V] |
| Rated impulse voltage (II / 2) [kV] | 4 [kV] |

| Technical data | |
|--|---|
| <i>Rated current [A]</i> | <i>24 [A]</i> |
| <i>Connection technology</i> | <i>PUSH WIRE®</i> |
| <i>Number of connection points connector</i> | <i>5</i> |
| <i>Actuation type</i> | <i>Push-in</i> |
| <i>Connectable conductor materials</i> | <i>Copper</i> |
| <i>Solid conductors, tool-operated termination</i> | <i>0.5 ... 2.5 mm² / 18 ... 14 AWG</i> |
| <i>Strip length</i> | <i>11 mm / 0.43 inch</i> |
| <i>Type of wiring</i> | <i>Side-entry wiring</i> |
| <i>Fire load [MJ]</i> | <i>0.03 [MJ]</i> |
| <i>Weight [g]</i> | <i>1.581 [g]</i> |
| <i>Width</i> | <i>22 mm / 0.866 in.</i> |
| <i>Height</i> | <i>5.8 mm / 0.228 in.</i> |
| <i>Depth</i> | <i>16.7 mm / 0.657 in.</i> |
| <i>Safety information 1</i> | <i>In grounded power lines</i> |

Images & drawings





Address

WAGO Kontakttechnik GmbH & Co. KG

Hansastr. 27

32423 Minden

Telefon: 0571/887-0

Fax: 0571/887-169

<http://www.wago.com>

© WAGO Kontakttechnik GmbH & Co. KG

Technische Änderungen und Irrtümer vorbehalten.