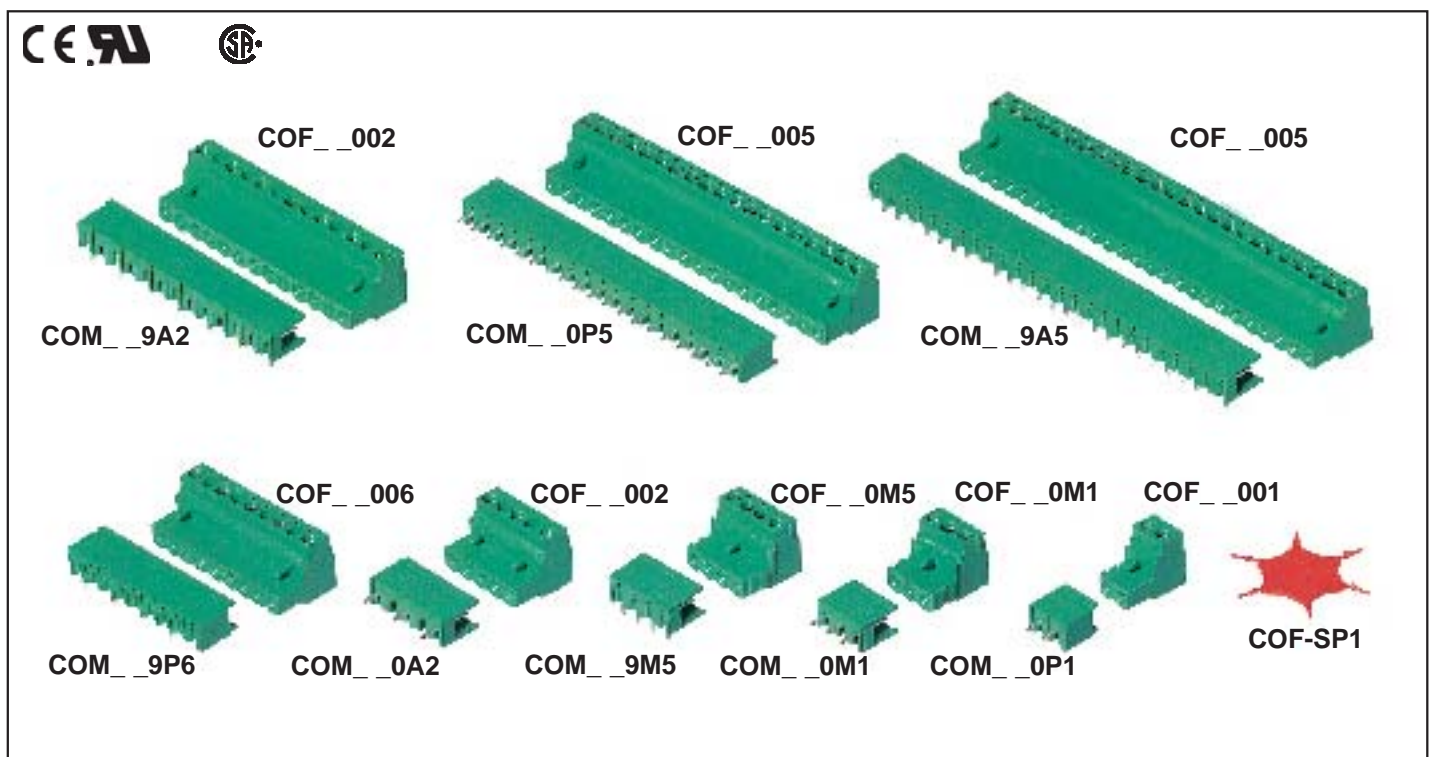




Dimensional Class:	MEDIUM	Classe Dimensionale:	MEDIA
Standard Color:	GREEN	Colore Standard:	VERDE
Mated Connectors Height:	see page 195	Altezza Connettore Completo:	vedere pag. 195
Cage Clamp Opening Size:	.098 x .094 in (2.5 x 2.4 mm)	Apertura Introduzione Filo:	2,5 x 2,4 mm
Wire Diameter:	max. 2.4 mm (4.52 mm ²)	Diametro Filo Inseribile:	max. 2,4 mm (4,52 mm ²)
Female Versions:	Modular, Side Stackable	Versioni Femmina:	Modulare, Affiancabile
Male Versions:	Modular, Polarized, Side Stackable	Versioni Maschio:	Modulare, Polarizzato, Affiancabile
Single Mold Poles:	from 2 to 4 (Modular) from 2 to 25 (Polarized and Side Stackable)	Vie Monolitiche:	da 2 a 4 (Modulare) da 2 a 25 (Polarizzato e Affiancabile)
Metric Pitches:	.197 in (5 mm), .295 in (7.5 mm), .394 in (10 mm)	Passi Metrici:	5 mm, 7,5 mm, 10 mm
Imperial Pitches:	.2 in (5.08 mm), .3 in (7.62 mm), .4 in (10.16 mm)	Passi in Pollici:	5,08 mm, 7,62 mm, 10,16 mm



The CO connector Series for printed circuit boards can be polarized both by means of the plastic housing and COF-SP1 Polarization Pegs.

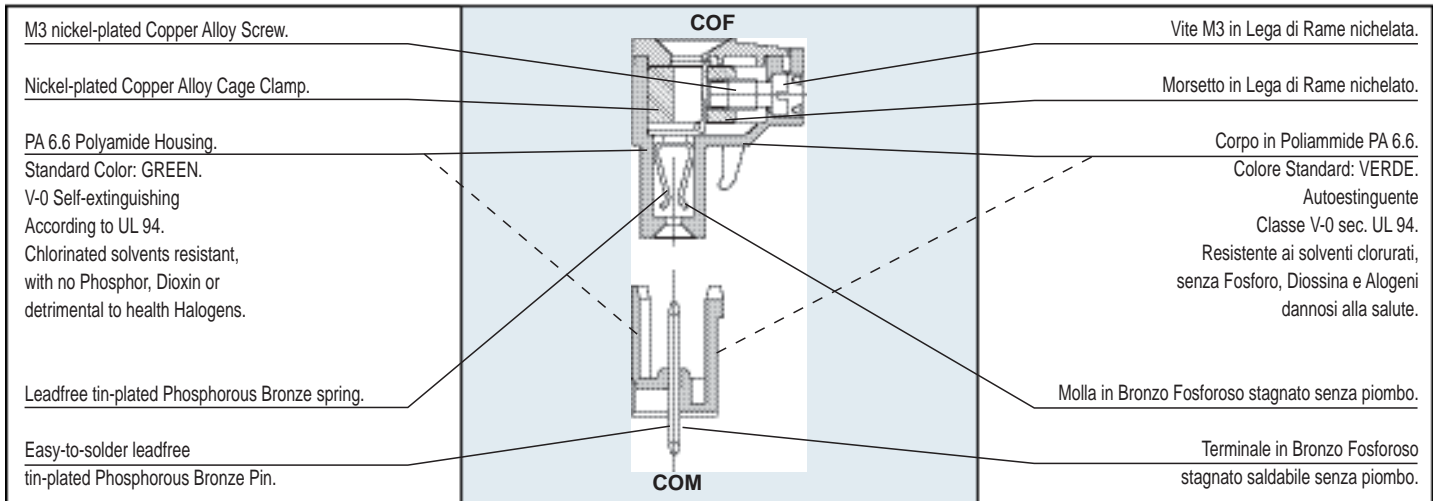
The CO connector Series satisfies the user's mounting needs with the following possibilities:

- using individual single mold (Modular) connectors from 2 to 4 poles or (Polarized and Side Stackable) from 2 to 25 poles;
- combining single mold Modular connectors from 2 to 4 poles or place side stackable connectors from 2 to 25 poles to obtain any number of poles;
- minimizing the stock by storing only selected connectors (ex. 2 - 3... 25 poles) to enable combinations as described above;
- being included in a custom Kit package to simplify the product management (part-numbers reduction), to minimize the stock, to improve the assembly and to reduce production errors.

Il connettore Serie CO per circuiti stampati può essere polarizzato sia tramite il corpo plastico che con Spine di Polarizzazione COF-SP1.

Il connettore Serie CO soddisfa le esigenze di montaggio dell'utilizzatore; infatti è possibile:

- utilizzare singolarmente i connettori monolitici da 2 a 4 vie (Modulare) e da 2 a 25 vie (Polarizzato e Affiancabile);
- comporre i connettori Modulari monolitici da 2 a 4 vie oppure affiancare i connettori Affiancabili da 2 a 25 vie per ottenere qualsiasi numero di vie;
- gestire uno stoccaggio minimo di connettori (es. 2 - 3... 25 vie) per ottenere quanto sopra;
- utilizzare le confezioni Kit che permettono una semplificazione della gestione del prodotto (riduzione dei part-number), del magazzino, dell'assemblaggio, nonché una riduzione dei rischi d'errore.



Mechanical Characteristics

Insertion force per pole:	max. .674 lb (max. 3 N)
Withdrawal force per pole:	min. .337 lb (min. 1.5 N)
Recommended tightening torque:	0.8 Nm (UL)*
PCB thickness:	max. .094 lb (max. 2.4 mm)
PCB holes diameter:	min. .055 in (min. 1.4 mm)
Stripping length:	.24 ÷ .30 in (6 ÷ 7.5 mm)
Operating temperature range:	-40 °F ÷ +230 °F (-40 °C ÷ +110 °C)
Climatic category:	40/110/21 According to IEC 68-1

Electrical Characteristics

Solid wire section:	30 ÷ 12 AWG (0.05 ÷ 2.5 mm ²) (UL)*
Stranded wire section:	30 ÷ 12 AWG (0.05 ÷ 2.5 mm ²) (UL)*
Rated voltage:	.197 in (5 mm) and .200 in (5.08 mm) pitch 300 V (UL)* .295 in (7.5 mm) and .300 in (7.62 mm) pitch 750 V (IMQ)* .394 in (10 mm) and .400 in (10.16 mm) pitch 750 V (IMQ)*
Rated current:	15 A (IMQ)*
Contact resistance:	<15 mΩ
Insulation resistance:	>10 ⁹ Ω (500V DC)

*All the a.m. data refer to the highest values amongst the certificated ones (). **V** voltage, **I** current values and tightening torque are related to the norms to be applied to the product and to its use.

Caratteristiche Meccaniche

Forza di inserzione per contatto:	max. 3 N
Forza di disinserzione per contatto:	min. 1,5 N
Coppia di serraggio consigliata:	0,8 Nm (UL)*
Spessore circuito stampato:	max. 2,4 mm
Diametro fori circuito stampato:	min. 1,4 mm
Lunghezza di spellatura:	6 ÷ 7,5 mm
Temperature di funzionamento:	-40 °C ÷ +110 °C
Categoria climatica:	40/110/21 Secondo IEC 68-1

Caratteristiche Elettriche

Conduttore rigido connettibile:	0,05 ÷ 2,5 mm ² (30 ÷ 12 AWG) (UL)*
Conduttore flessibile connettibile:	0,05 ÷ 2,5 mm ² (30 ÷ 12 AWG) (UL)*
Tensione nominale:	passo 5 mm e 5,08 mm 300 V (UL)* passo 7,5 mm e 7,62 mm 750 V (IMQ)* passo 10 mm e 10,16 mm 750 V (IMQ)*
Corrente nominale:	15 A (IMQ)*
Resistenza di contatto:	<15 mΩ
Resistenza di isolamento:	>10 ⁹ Ω (500V CC)

*Per ogni caratteristica, i dati riportati si riferiscono ai massimi valori fra quelli certificati (). I valori di tensione **V** corrente **I** e, coppia di serraggio sono legati alle norme applicabili al prodotto ed al tipo di utilizzo.

Approvals

IMQ: Certificate IMQ ED622
250 V - T 110 - 15 A - 2.5 mm² solid for 5 mm and 5.08 mm pitch
750 V - T 110 - 15 A - 2.5 mm² for 7.5 mm, 7.62 mm, 10 mm and 10.16 mm pitch

UL: File E 167473
300 V - 15 A - 30÷12 AWG - 7 lbf-in for 5 mm, 5.08 mm, 7.5 mm and 7.62 mm pitch
600 V - 15 A - 30÷12 AWG - 7 lbf-in for 10 mm and 10.16 mm pitch
Application values for end-use equipment have to be in accordance to UL norms and applicable to it.

cUL: File E 167473
300 V - 15 A - 30÷12 AWG for 5 mm, 5.08 mm, 7.5 mm and 7.62 mm pitch
600 V - 15 A - 30÷12 AWG for 10 mm and 10.16 mm pitch
Application values for end-use equipment have to be in accordance to UL norms and applicable to it.

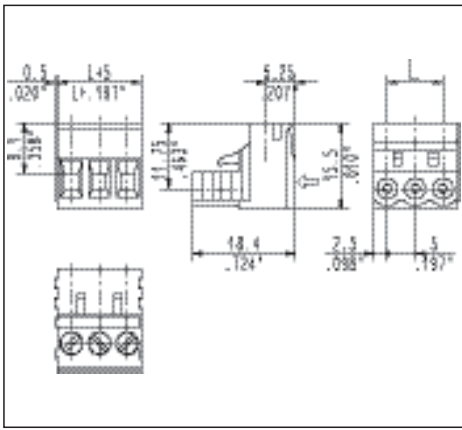
Certificazioni



IMQ: Certificato IMQ ED622
250 V - T 110 - 15 A - 2.5 mm² per passo 5 mm e 5,08 mm
750 V - T 110 - 15 A - 2.5 mm² per passo 7,5 mm, 7,62 mm, 10 mm e 10,16 mm

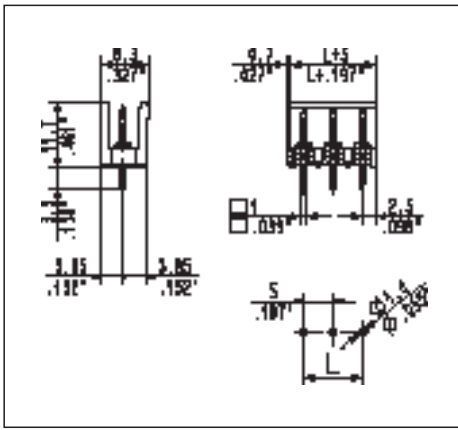
UL: File E 167473
300 V - 15 A - 30÷12 AWG - 7 lbf-in per passo 5 mm, 5,08 mm, 7,5 mm e 7,62 mm
600 V - 15 A - 30÷12 AWG - 7 lbf-in per passo 10 mm e 10,16 mm
I valori di utilizzo per l'apparecchiatura finale devono essere conformi alle norme UL ad essa applicabili.

cUL: File E 167473
300 V - 15 A - 30÷12 AWG per passo 5 mm, 5,08 mm, 7,5 mm e 7,62 mm
600 V - 15 A - 30÷12 AWG per passo 10 mm e 10,16 mm
I valori di utilizzo per l'apparecchiatura finale devono essere conformi alle norme UL ad essa applicabili.



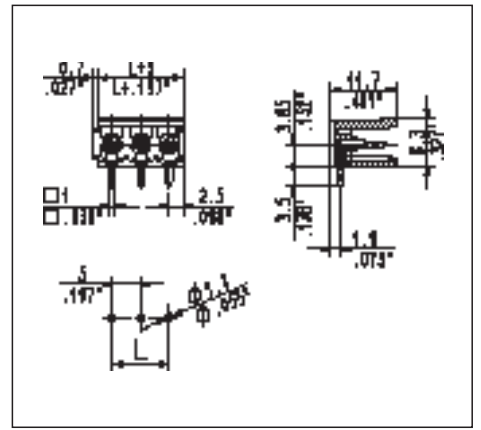
COF_0M1 Straight, Modular Female
5 mm / .197" Pitch
Weight per pole: 0.21 g

Poles	STD Code	L [mm]	L [inch]	Pcs/pack.	Weight
02	COF020M1	5.00	0.197	500	2.08
03	COF030M1	10.00	0.394	400	2.50
04	COF040M1	15.00	0.591	300	2.50



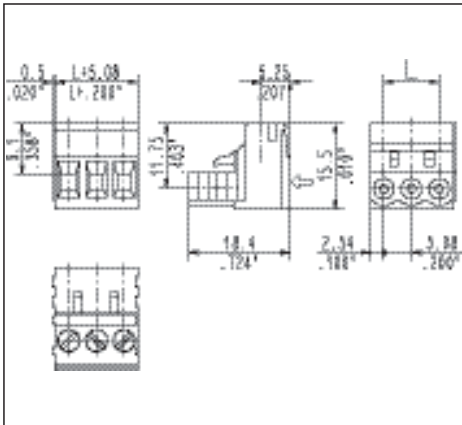
COM_0M1 Straight, Modular Male
5 mm / .197" Pitch
Weight per pole: 0.04 g

Poles	STD Code	L [mm]	L [inch]	Pcs/pack.	Weight
02	COM020M1	5.00	0.197	500	0.36
03	COM030M1	10.00	0.394	400	0.44
04	COM040M1	15.00	0.591	300	0.44



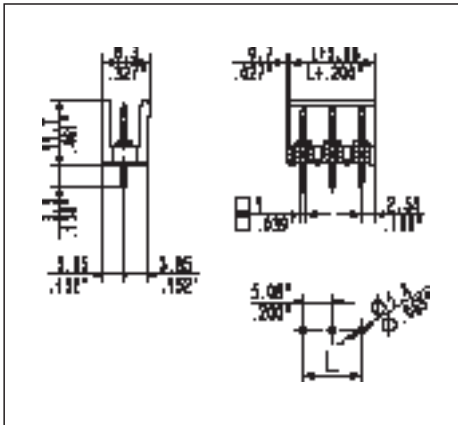
COM_9M1 90°, Modular Male
5 mm / .197" Pitch
Weight per pole: 0.04 g

Poles	STD Code	L [mm]	L [inch]	Pcs/pack.	Weight
02	COM029M1	5.00	0.197	500	0.37
03	COM039M1	10.00	0.394	400	0.45
04	COM049M1	15.00	0.591	300	0.45



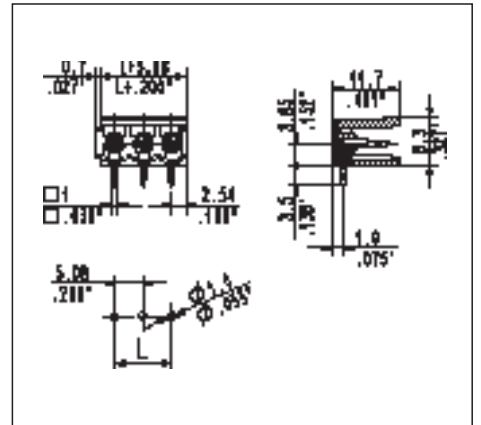
COF_0M5 Straight, Modular Female
5.08 mm / .200" Pitch
Weight per pole: 0.21 g

Poles	STD Code	L [mm]	L [inch]	Pcs/pack.	Weight
02	COF020M5	5.08	0.200	500	2.08
03	COF030M5	10.16	0.400	400	2.50
04	COF040M5	15.24	0.600	300	2.50



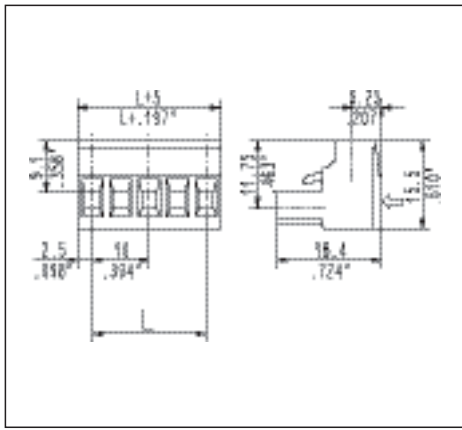
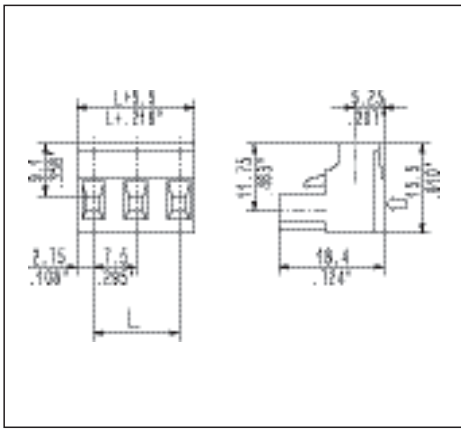
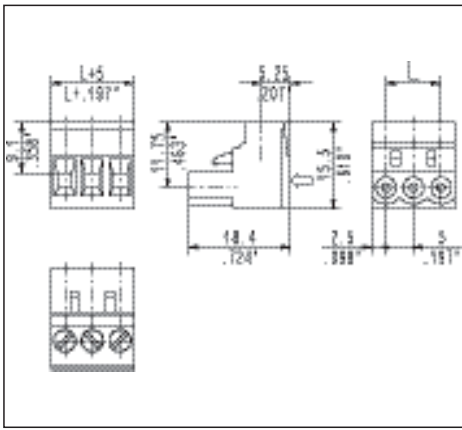
COM_0M5 Straight, Modular Male
5.08 mm / .200" Pitch
Weight per pole: 0.04 g

Poles	STD Code	L [mm]	L [inch]	Pcs/pack.	Weight
02	COM020M5	5.08	0.200	500	0.36
03	COM030M5	10.16	0.400	400	0.44
04	COM040M5	15.24	0.600	300	0.44



COM_9M5 90°, Modular Male
5.08 mm / .200" Pitch
Weight per pole: 0.04 g

Poles	STD Code	L [mm]	L [inch]	Pcs/pack.	Weight
02	COM029M5	5.08	0.200	500	0.37
03	COM039M5	10.16	0.400	400	0.45
04	COM049M5	15.24	0.600	300	0.45



COF_001 Side Stackable Female
5 mm / .197" Pitch Weight per pole: 0.21 g

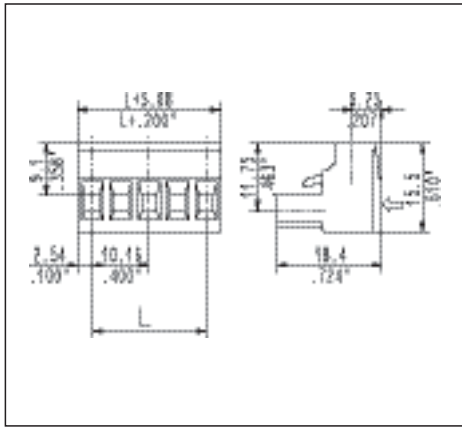
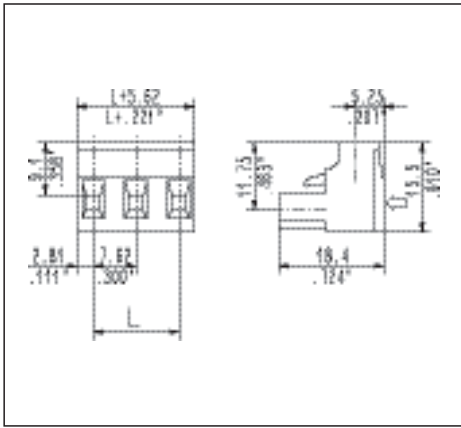
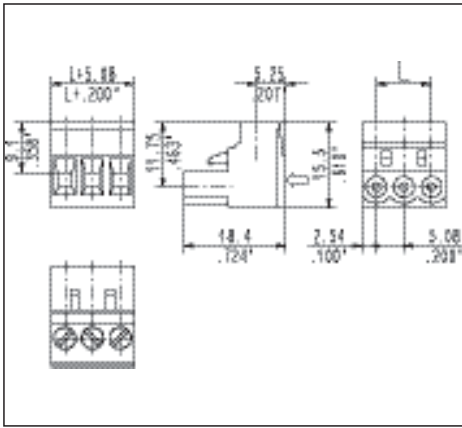
Poles	STD Code	L [mm]	L [inch]	Pcs/pack.	Weight
02	COF02001	5.00	0.197	500	2.08
03	COF03001	10.00	0.394	400	2.50
04	COF04001	15.00	0.591	300	2.50
05	COF05001	20.00	0.787	250	2.60
06	COF06001	25.00	0.984	200	2.50
07	COF07001	30.00	1.181	175	2.55
08	COF08001	35.00	1.378	150	2.50
09	COF09001	40.00	1.575	125	2.34
10	COF10001	45.00	1.772	100	2.08
11	COF11001	50.00	1.969	100	2.29
12	COF12001	55.00	2.165	75	1.87
13	COF13001	60.00	2.362	75	2.03
14	COF14001	65.00	2.559	75	2.18
15	COF15001	70.00	2.756	75	2.34
16	COF16001	75.00	2.953	75	2.50
17	COF17001	80.00	3.150	50	1.77
18	COF18001	85.00	3.346	50	1.87
19	COF19001	90.00	3.543	50	1.98
20	COF20001	95.00	3.740	50	2.08
21	COF21001	100.00	3.937	50	2.18
22	COF22001	105.00	4.134	50	2.29
23	COF23001	110.00	4.331	50	2.39
24	COF24001	115.00	4.528	50	2.50
25	COF25001	120.00	4.724	50	2.60

COF_003 Side Stackable Female
7.5 mm / .295" Pitch Weight per pole: 0.23 g

Poles	STD Code	L [mm]	L [inch]	Pcs/pack.	Weight
02	COF02003	7.50	0.295	400	1.83
03	COF03003	15.00	0.591	250	1.72
04	COF04003	22.50	0.886	200	1.83
05	COF05003	30.00	1.181	150	1.72
06	COF06003	37.50	1.476	125	1.72
07	COF07003	45.00	1.772	100	1.60
08	COF08003	52.50	2.067	75	1.37
09	COF09003	60.00	2.362	75	1.54
10	COF10003	67.50	2.657	75	1.72
11	COF11003	75.00	2.953	50	1.26
12	COF12003	82.50	3.248	50	1.37

COF_002 Side Stackable Female
10 mm / .394" Pitch Weight per pole: 0.26 g

Poles	STD Code	L [mm]	L [inch]	Pcs/pack.	Weight
02	COF02002	10.00	0.394	400	2.06
03	COF03002	20.00	0.787	250	1.93
04	COF04002	30.00	1.181	175	1.80
05	COF05002	40.00	1.575	125	1.61
06	COF06002	50.00	1.969	100	1.54
07	COF07002	60.00	2.362	75	1.35
08	COF08002	70.00	2.756	75	1.54
09	COF09002	80.00	3.150	50	1.16
10	COF10002	90.00	3.543	50	1.28
11	COF11002	100.00	3.937	50	1.41
12	COF12002	110.00	4.331	50	1.54
13	COF13002	120.00	4.724	50	1.67



COF_005 Side Stackable Female
5.08 mm / .200" Pitch Weight per pole: 0.21 g

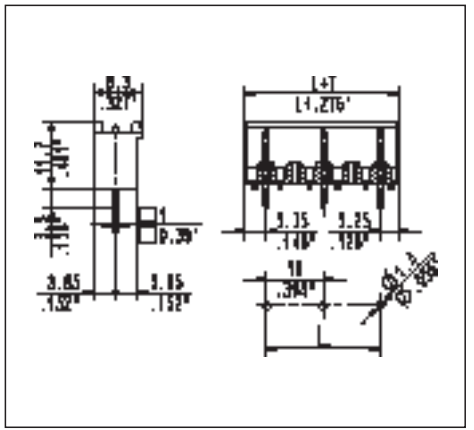
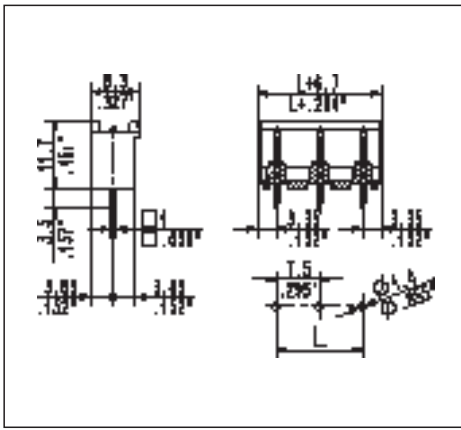
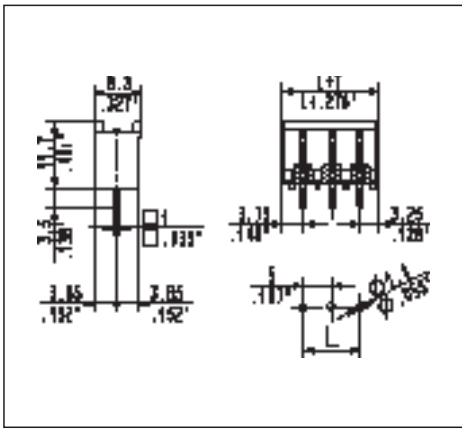
Poles	STD Code	L [mm]	L [inch]	Pcs/pack.	Weight
02	COF02005	5.08	0.200	500	2.08
03	COF03005	10.16	0.400	400	2.50
04	COF04005	15.24	0.600	300	2.50
05	COF05005	20.32	0.800	250	2.60
06	COF06005	25.40	1.000	200	2.50
07	COF07005	30.48	1.200	175	2.55
08	COF08005	35.56	1.400	150	2.50
09	COF09005	40.64	1.600	125	2.34
10	COF10005	45.72	1.800	100	2.08
11	COF11005	50.80	2.000	100	2.29
12	COF12005	55.88	2.200	75	1.87
13	COF13005	60.96	2.400	75	2.03
14	COF14005	66.04	2.600	75	2.18
15	COF15005	71.12	2.800	75	2.34
16	COF16005	76.20	3.000	75	2.50
17	COF17005	81.28	3.200	50	1.77
18	COF18005	86.36	3.400	50	1.87
19	COF19005	91.44	3.600	50	1.98
20	COF20005	96.52	3.800	50	2.08
21	COF21005	101.60	4.000	50	2.18
22	COF22005	106.68	4.200	50	2.29
23	COF23005	111.76	4.400	50	2.39
24	COF24005	116.84	4.600	50	2.50
25	COF25005	121.92	4.800	50	2.60

COF_007 Side Stackable Female
7.62 mm / .300" Pitch Weight per pole: 0.24 g

Poles	STD Code	L [mm]	L [inch]	Pcs/pack.	Weight
02	COF02007	7.62	0.300	400	1.91
03	COF03007	15.24	0.600	250	1.79
04	COF04007	22.86	0.900	200	1.91
05	COF05007	30.48	1.200	150	1.79
06	COF06007	38.10	1.500	125	1.79
07	COF07007	45.72	1.800	100	1.67
08	COF08007	53.34	2.100	75	1.44
09	COF09007	60.96	2.400	75	1.61
10	COF10007	68.58	2.700	75	1.79
11	COF11007	76.20	3.000	50	1.32
12	COF12007	83.82	3.300	50	1.44

COF_006 Side Stackable Female
10.16 mm / .400" Pitch Weight per pole: 0.26 g

Poles	STD Code	L [mm]	L [inch]	Pcs/pack.	Weight
02	COF02006	10.16	0.400	400	2.06
03	COF03006	20.32	0.800	250	1.93
04	COF04006	30.48	1.200	175	1.80
05	COF05006	40.64	1.600	125	1.61
06	COF06006	50.80	2.000	100	1.54
07	COF07006	60.96	2.400	75	1.35
08	COF08006	71.12	2.800	75	1.54
09	COF09006	81.28	3.200	50	1.16
10	COF10006	91.44	3.600	50	1.28
11	COF11006	101.60	4.000	50	1.41
12	COF12006	111.76	4.400	50	1.54
13	COF13006	121.92	4.800	50	1.67



COM_0P1 Straight, Polarized Male
5 mm / .197" Pitch Weight per pole: 0.05 g

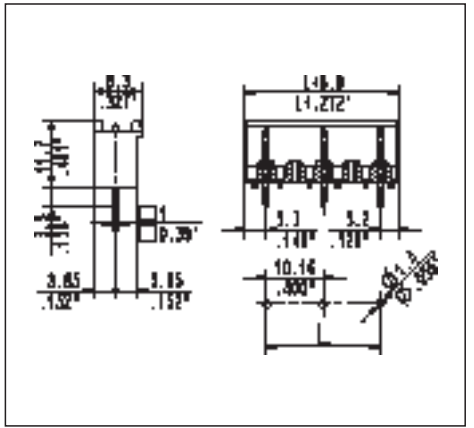
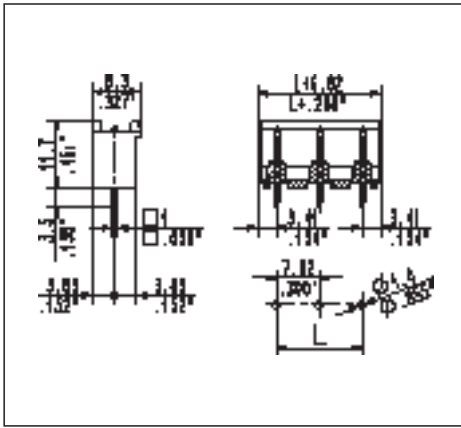
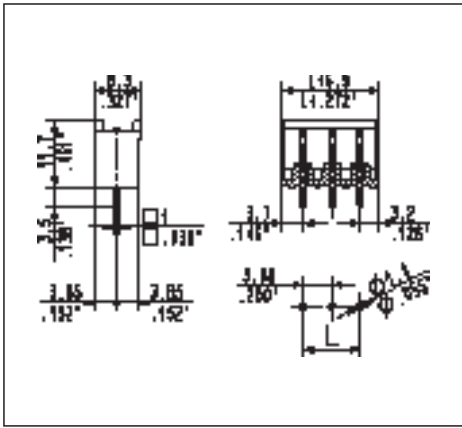
Poles	STD Code	L [mm]	L [inch]	Pcs/pack.	Weight
02	COM020P1	5.00	0.197	500	0.45
03	COM030P1	10.00	0.394	400	0.54
04	COM040P1	15.00	0.591	300	0.54
05	COM050P1	20.00	0.787	250	0.56
06	COM060P1	25.00	0.984	200	0.54
07	COM070P1	30.00	1.181	175	0.55
08	COM080P1	35.00	1.378	150	0.54
09	COM090P1	40.00	1.575	125	0.50
10	COM100P1	45.00	1.772	100	0.45
11	COM110P1	50.00	1.969	100	0.49
12	COM120P1	55.00	2.165	75	0.40
13	COM130P1	60.00	2.362	75	0.44
14	COM140P1	65.00	2.559	75	0.47
15	COM150P1	70.00	2.756	75	0.50
16	COM160P1	75.00	2.953	75	0.54
17	COM170P1	80.00	3.150	50	0.38
18	COM180P1	85.00	3.346	50	0.40
19	COM190P1	90.00	3.543	50	0.42
20	COM200P1	95.00	3.740	50	0.45
21	COM210P1	100.00	3.937	50	0.47
22	COM220P1	105.00	4.134	50	0.49
23	COM230P1	110.00	4.331	50	0.51
24	COM240P1	115.00	4.528	50	0.54
25	COM250P1	120.00	4.724	50	0.56

COM_0P3 Straight, Polarized Male
7.5 mm / .295" Pitch Weight per pole: 0.05 g

Poles	STD Code	L [mm]	L [inch]	Pcs/pack.	Weight
02	COM020P3	7.50	0.295	400	0.40
03	COM030P3	15.00	0.591	250	0.37
04	COM040P3	22.50	0.886	200	0.40
05	COM050P3	30.00	1.181	150	0.37
06	COM060P3	37.50	1.476	125	0.37
07	COM070P3	45.00	1.772	100	0.35
08	COM080P3	52.50	2.067	75	0.30
09	COM090P3	60.00	2.362	75	0.34
10	COM100P3	67.50	2.657	75	0.37
11	COM110P3	75.00	2.953	50	0.27
12	COM120P3	82.50	3.248	50	0.30

COM_0P2 Straight, Polarized Male
10 mm / .394" Pitch Weight per pole: 0.06 g

Poles	STD Code	L [mm]	L [inch]	Pcs/pack.	Weight
02	COM020P2	10.00	0.394	400	0.46
03	COM030P2	20.00	0.787	250	0.43
04	COM040P2	30.00	1.181	175	0.40
05	COM050P2	40.00	1.575	125	0.36
06	COM060P2	50.00	1.969	100	0.34
07	COM070P2	60.00	2.362	75	0.30
08	COM080P2	70.00	2.756	75	0.34
09	COM090P2	80.00	3.150	50	0.26
10	COM100P2	90.00	3.543	50	0.29
11	COM110P2	100.00	3.937	50	0.31
12	COM120P2	110.00	4.331	50	0.34
13	COM130P2	120.00	4.724	50	0.37



COM_0P5 Straight, Polarized Male
5.08 mm / .200" Pitch Weight per pole: 0.05 g

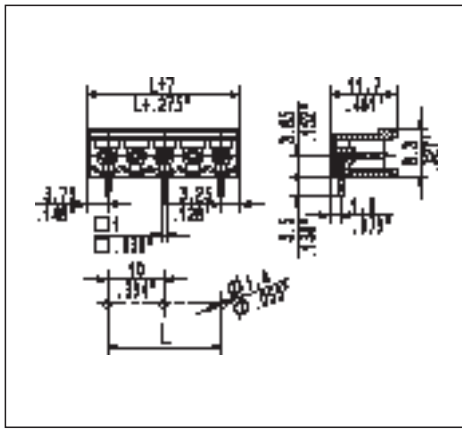
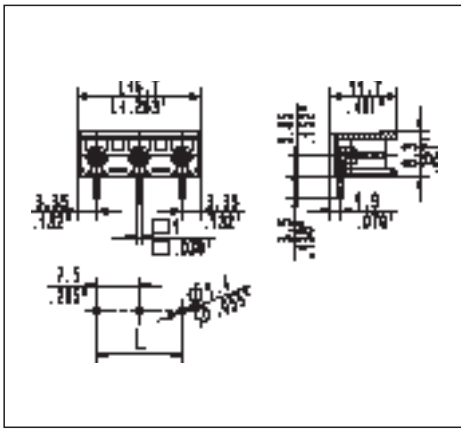
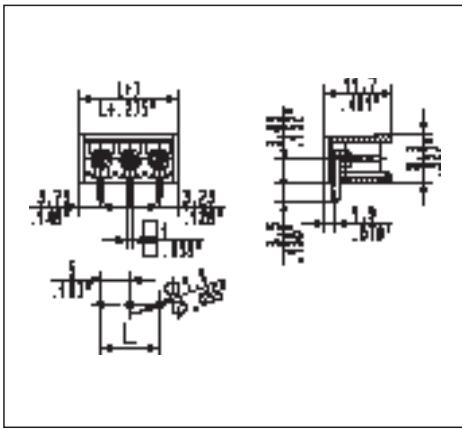
Poles	STD Code	L [mm]	L [inch]	Pcs/pack.	Weight
02	COM020P5	5.08	0.200	500	0.45
03	COM030P5	10.16	0.400	400	0.54
04	COM040P5	15.24	0.600	300	0.54
05	COM050P5	20.32	0.800	250	0.56
06	COM060P5	25.40	1.000	200	0.54
07	COM070P5	30.48	1.200	175	0.55
08	COM080P5	35.56	1.400	150	0.54
09	COM090P5	40.64	1.600	125	0.50
10	COM100P5	45.72	1.800	100	0.45
11	COM110P5	50.80	2.000	100	0.49
12	COM120P5	55.88	2.200	75	0.40
13	COM130P5	60.96	2.400	75	0.44
14	COM140P5	66.04	2.600	75	0.47
15	COM150P5	71.12	2.800	75	0.50
16	COM160P5	76.20	3.000	75	0.54
17	COM170P5	81.28	3.200	50	0.38
18	COM180P5	86.36	3.400	50	0.40
19	COM190P5	91.44	3.600	50	0.42
20	COM200P5	96.52	3.800	50	0.45
21	COM210P5	101.60	4.000	50	0.47
22	COM220P5	106.68	4.200	50	0.49
23	COM230P5	111.76	4.400	50	0.51
24	COM240P5	116.84	4.600	50	0.54
25	COM250P5	121.92	4.800	50	0.56

COM_0P7 Straight, Polarized Male
7.62 mm / .300" Pitch Weight per pole: 0.05 g

Poles	STD Code	L [mm]	L [inch]	Pcs/pack.	Weight
02	COM020P7	7.62	0.300	400	0.40
03	COM030P7	15.24	0.600	250	0.37
04	COM040P7	22.86	0.900	200	0.40
05	COM050P7	30.48	1.200	150	0.37
06	COM060P7	38.10	1.500	125	0.37
07	COM070P7	45.72	1.800	100	0.35
08	COM080P7	53.34	2.100	75	0.30
09	COM090P7	60.96	2.400	75	0.34
10	COM100P7	68.58	2.700	75	0.37
11	COM110P7	76.20	3.000	50	0.27
12	COM120P7	83.82	3.300	50	0.30

COM_0P6 Straight, Polarized Male
10.16 mm / .400" Pitch Weight per pole: 0.06 g

Poles	STD Code	L [mm]	L [inch]	Pcs/pack.	Weight
02	COM020P6	10.16	0.400	400	0.46
03	COM030P6	20.32	0.800	250	0.43
04	COM040P6	30.48	1.200	175	0.40
05	COM050P6	40.64	1.600	125	0.36
06	COM060P6	50.80	2.000	100	0.34
07	COM070P6	60.96	2.400	75	0.30
08	COM080P6	71.12	2.800	75	0.34
09	COM090P6	81.28	3.200	50	0.26
10	COM100P6	91.44	3.600	50	0.29
11	COM110P6	101.60	4.000	50	0.31
12	COM120P6	111.76	4.400	50	0.34
13	COM130P6	121.92	4.800	50	0.37



COM_9P1
5 mm / .197" Pitch
90°, Polarized Male
Weight per pole: 0.05 g

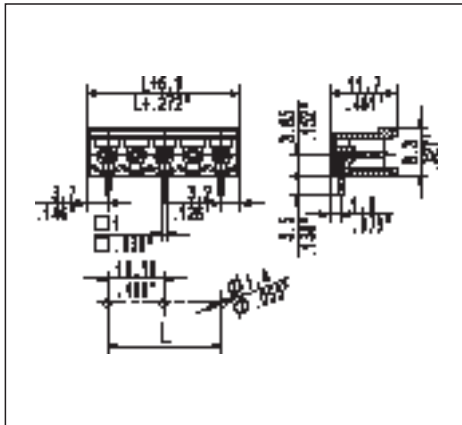
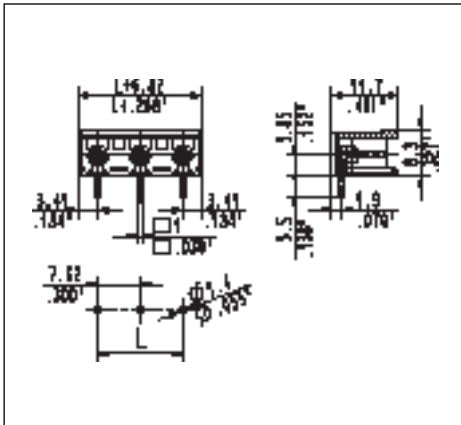
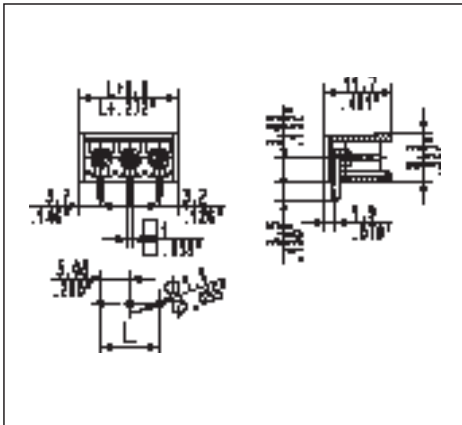
Poles	STD Code	L [mm]	L [inch]	Pcs/pack.	Weight
02	COM029P1	5.00	0.197	500	0.46
03	COM039P1	10.00	0.394	400	0.55
04	COM049P1	15.00	0.591	300	0.55
05	COM059P1	20.00	0.787	250	0.57
06	COM069P1	25.00	0.984	200	0.55
07	COM079P1	30.00	1.181	175	0.56
08	COM089P1	35.00	1.378	150	0.55
09	COM099P1	40.00	1.575	125	0.51
10	COM109P1	45.00	1.772	100	0.46
11	COM119P1	50.00	1.969	100	0.50
12	COM129P1	55.00	2.165	75	0.41
13	COM139P1	60.00	2.362	75	0.45
14	COM149P1	65.00	2.559	75	0.48
15	COM159P1	70.00	2.756	75	0.51
16	COM169P1	75.00	2.953	75	0.55
17	COM179P1	80.00	3.150	50	0.39
18	COM189P1	85.00	3.346	50	0.41
19	COM199P1	90.00	3.543	50	0.43
20	COM209P1	95.00	3.740	50	0.46
21	COM219P1	100.00	3.937	50	0.48
22	COM229P1	105.00	4.134	50	0.50
23	COM239P1	110.00	4.331	50	0.53
24	COM249P1	115.00	4.528	50	0.55
25	COM259P1	120.00	4.724	50	0.57

COM_9P3
7.5 mm / .295" Pitch
90°, Polarized Male
Weight per pole: 0.05 g

Poles	STD Code	L [mm]	L [inch]	Pcs/pack.	Weight
02	COM029P3	7.50	0.295	400	0.41
03	COM039P3	15.00	0.591	250	0.38
04	COM049P3	22.50	0.886	200	0.41
05	COM059P3	30.00	1.181	150	0.38
06	COM069P3	37.50	1.476	125	0.38
07	COM079P3	45.00	1.772	100	0.36
08	COM089P3	52.50	2.067	75	0.31
09	COM099P3	60.00	2.362	75	0.34
10	COM109P3	67.50	2.657	75	0.38
11	COM119P3	75.00	2.953	50	0.28
12	COM129P3	82.50	3.248	50	0.31

COM_9P2
10 mm / .394" Pitch
90°, Polarized Male
Weight per pole: 0.06 g

Poles	STD Code	L [mm]	L [inch]	Pcs/pack.	Weight
02	COM029P2	10.00	0.394	400	0.47
03	COM039P2	20.00	0.787	250	0.44
04	COM049P2	30.00	1.181	175	0.41
05	COM059P2	40.00	1.575	125	0.36
06	COM069P2	50.00	1.969	100	0.35
07	COM079P2	60.00	2.362	75	0.31
08	COM089P2	70.00	2.756	75	0.35
09	COM099P2	80.00	3.150	50	0.26
10	COM109P2	90.00	3.543	50	0.29
11	COM119P2	100.00	3.937	50	0.32
12	COM129P2	110.00	4.331	50	0.35
13	COM139P2	120.00	4.724	50	0.38



COM_9P5
5.08 mm / .200" Pitch
90°, Polarized Male
Weight per pole: 0.05 g

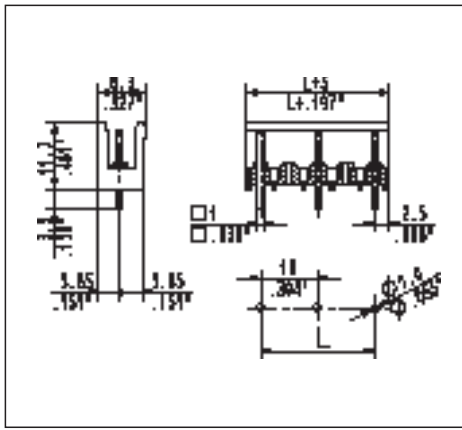
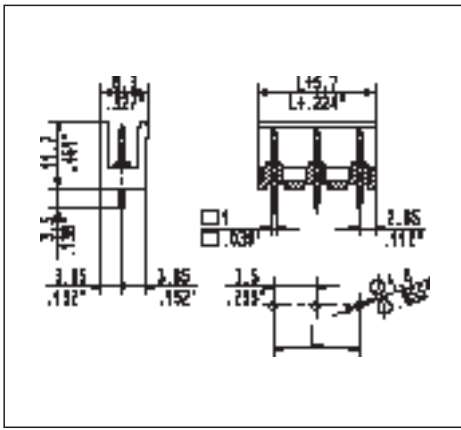
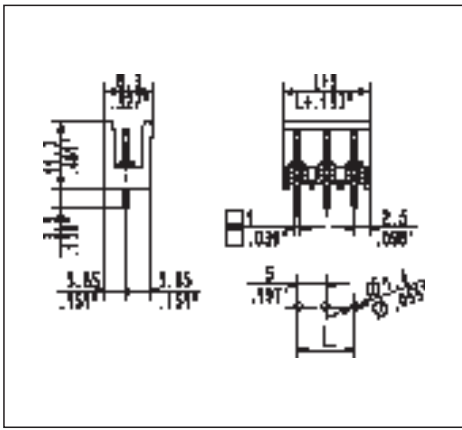
Poles	STD Code	L [mm]	L [inch]	Pcs/pack.	Weight
02	COM029P5	5.08	0.200	500	0.46
03	COM039P5	10.16	0.400	400	0.55
04	COM049P5	15.24	0.600	300	0.55
05	COM059P5	20.32	0.800	250	0.57
06	COM069P5	25.40	1.000	200	0.55
07	COM079P5	30.48	1.200	175	0.56
08	COM089P5	35.56	1.400	150	0.55
09	COM099P5	40.64	1.600	125	0.51
10	COM109P5	45.72	1.800	100	0.46
11	COM119P5	50.80	2.000	100	0.50
12	COM129P5	55.88	2.200	75	0.41
13	COM139P5	60.96	2.400	75	0.45
14	COM149P5	66.04	2.600	75	0.48
15	COM159P5	71.12	2.800	75	0.51
16	COM169P5	76.20	3.000	75	0.55
17	COM179P5	81.28	3.200	50	0.39
18	COM189P5	86.36	3.400	50	0.41
19	COM199P5	91.44	3.600	50	0.43
20	COM209P5	96.52	3.800	50	0.46
21	COM219P5	101.60	4.000	50	0.48
22	COM229P5	106.68	4.200	50	0.50
23	COM239P5	111.76	4.400	50	0.53
24	COM249P5	116.84	4.600	50	0.55
25	COM259P5	121.92	4.800	50	0.57

COM_9P7
7.62 mm / .300" Pitch
90°, Polarized Male
Weight per pole: 0.06 g

Poles	STD Code	L [mm]	L [inch]	Pcs/pack.	Weight
02	COM029P6	10.16	0.400	400	0.47
03	COM039P6	20.32	0.800	250	0.44
04	COM049P6	30.48	1.200	175	0.41
05	COM059P6	40.64	1.600	125	0.36
06	COM069P6	50.80	2.000	100	0.35
07	COM079P6	60.96	2.400	75	0.31
08	COM089P6	71.12	2.800	75	0.35
09	COM099P6	81.28	3.200	50	0.26
10	COM109P6	91.44	3.600	50	0.29
11	COM119P6	101.60	4.000	50	0.32
12	COM129P6	111.76	4.400	50	0.35
13	COM139P6	121.92	4.800	50	0.38

COM_9P6
10.16 mm / .400" Pitch
90°, Polarized Male
Weight per pole: 0.05 g

Poles	STD Code	L [mm]	L [inch]	Pcs/pack.	Weight
02	COM029P7	7.62	0.300	400	0.41
03	COM039P7	15.24	0.600	250	0.38
04	COM049P7	22.86	0.900	200	0.41
05	COM059P7	30.48	1.200	150	0.38
06	COM069P7	38.10	1.500	125	0.38
07	COM079P7	45.72	1.800	100	0.36
08	COM089P7	53.34	2.100	75	0.31
09	COM099P7	60.96	2.400	75	0.34
10	COM109P7	68.58	2.700	75	0.38
11	COM119P7	76.20	3.000	50	0.28
12	COM129P7	83.82	3.300	50	0.31



COM_0A1 Straight, Side Stackable Male
5 mm / .197" Pitch

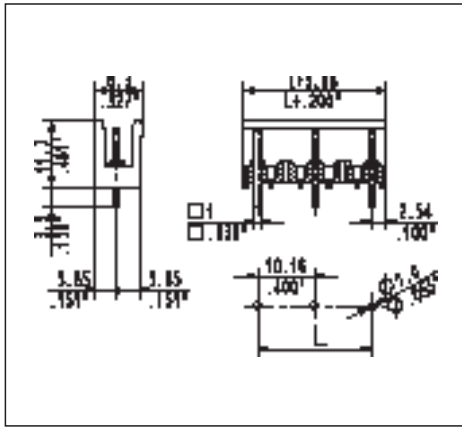
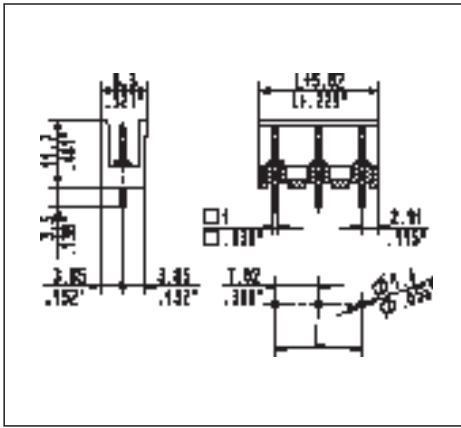
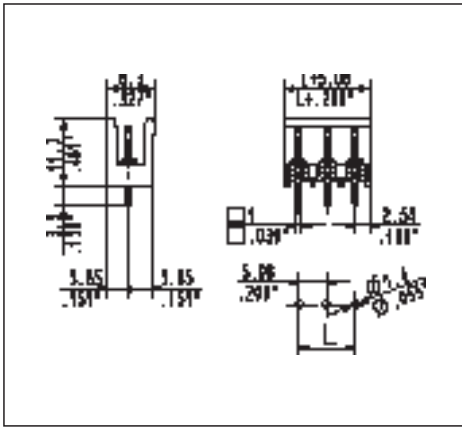
Poles	STD Code	L [mm]	L [inch]	Pcs/pack.	Weight
02	COM020A1	5.00	0.197	500	0.35
03	COM030A1	10.00	0.394	400	0.42
04	COM040A1	15.00	0.591	300	0.42
05	COM050A1	20.00	0.787	250	0.44
06	COM060A1	25.00	0.984	200	0.42
07	COM070A1	30.00	1.181	175	0.43
08	COM080A1	35.00	1.378	150	0.42
09	COM090A1	40.00	1.575	125	0.40
10	COM100A1	45.00	1.772	100	0.35
11	COM110A1	50.00	1.969	100	0.39
12	COM120A1	55.00	2.165	75	0.32
13	COM130A1	60.00	2.362	75	0.34
14	COM140A1	65.00	2.559	75	0.37
15	COM150A1	70.00	2.756	75	0.40
16	COM160A1	75.00	2.953	75	0.42
17	COM170A1	80.00	3.150	50	0.30
18	COM180A1	85.00	3.346	50	0.32
19	COM190A1	90.00	3.543	50	0.34
20	COM200A1	95.00	3.740	50	0.35
21	COM210A1	100.00	3.937	50	0.37
22	COM220A1	105.00	4.134	50	0.39
23	COM230A1	110.00	4.331	50	0.41
24	COM240A1	115.00	4.528	50	0.42

COM_0A3 Straight, Side Stackable Male
7.5 mm / .295" Pitch

Poles	STD Code	L [mm]	L [inch]	Pcs/pack.	Weight
02	COM020A3	7.50	0.295	400	0.37
03	COM030A3	15.00	0.591	250	0.35
04	COM040A3	22.50	0.886	200	0.37
05	COM050A3	30.00	1.181	150	0.35
06	COM060A3	37.50	1.476	125	0.35
07	COM070A3	45.00	1.772	100	0.33
08	COM080A3	52.50	2.067	75	0.28
09	COM090A3	60.00	2.362	75	0.32
10	COM100A3	67.50	2.657	75	0.35
11	COM110A3	75.00	2.953	50	0.26
12	COM120A3	82.50	3.248	50	0.28

COM_0A2 Straight, Side Stackable Male
10 mm / .394" Pitch

Poles	STD Code	L [mm]	L [inch]	Pcs/pack.	Weight
02	COM020A2	10.00	0.394	400	0.40
03	COM030A2	20.00	0.787	250	0.37
04	COM040A2	30.00	1.181	175	0.35
05	COM050A2	40.00	1.575	125	0.31
06	COM060A2	50.00	1.969	100	0.30
07	COM070A2	60.00	2.362	75	0.26
08	COM080A2	70.00	2.756	75	0.30
09	COM090A2	80.00	3.150	50	0.22
10	COM100A2	90.00	3.543	50	0.25
11	COM110A2	100.00	3.937	50	0.27
12	COM120A2	110.00	4.331	50	0.30
13	COM130A2	120.00	4.724	50	0.32



COM_0A5 Straight, Side Stackable Male
5.08 mm / .200" Pitch

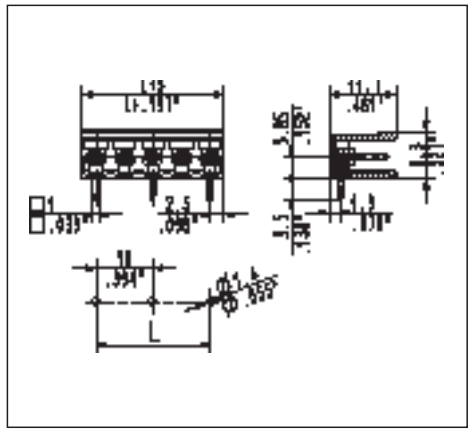
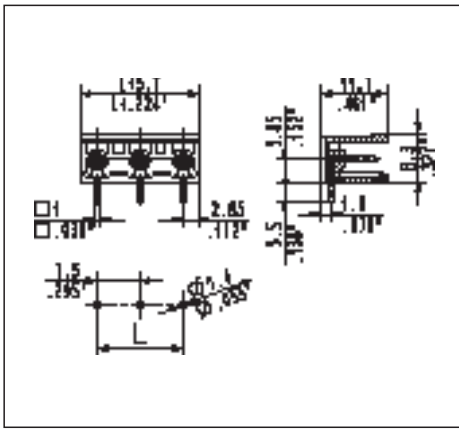
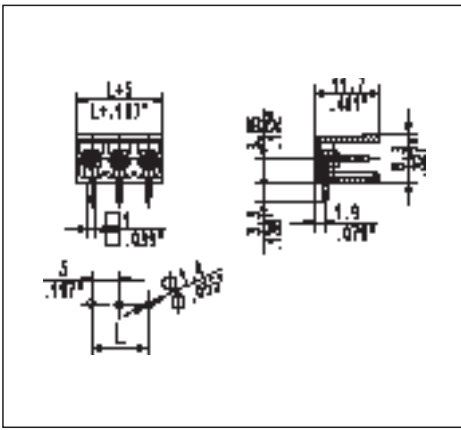
Poles	STD Code	L [mm]	L [inch]	Pcs/pack.	Weight
02	COM020A5	5.08	0.200	500	0.35
03	COM030A5	10.16	0.400	400	0.42
04	COM040A5	15.24	0.600	300	0.42
05	COM050A5	20.32	0.800	250	0.44
06	COM060A5	25.40	1.000	200	0.42
07	COM070A5	30.48	1.200	175	0.43
08	COM080A5	35.56	1.400	150	0.42
09	COM090A5	40.64	1.600	125	0.40
10	COM100A5	45.72	1.800	100	0.35
11	COM110A5	50.80	2.000	100	0.39
12	COM120A5	55.88	2.200	75	0.32
13	COM130A5	60.96	2.400	75	0.34
14	COM140A5	66.04	2.600	75	0.37
15	COM150A5	71.12	2.800	75	0.40
16	COM160A5	76.20	3.000	75	0.42
17	COM170A5	81.28	3.200	50	0.30
18	COM180A5	86.36	3.400	50	0.32
19	COM190A5	91.44	3.600	50	0.34
20	COM200A5	96.52	3.800	50	0.35
21	COM210A5	101.60	4.000	50	0.37
22	COM220A5	106.68	4.200	50	0.39
23	COM230A5	111.76	4.400	50	0.41
24	COM240A5	116.84	4.600	50	0.42

COM_0A7 Straight, Side Stackable Male
7.62 mm / .300" Pitch

Poles	STD Code	L [mm]	L [inch]	Pcs/pack.	Weight
02	COM020A7	7.62	0.300	400	0.37
03	COM030A7	15.24	0.600	250	0.35
04	COM040A7	22.86	0.900	200	0.37
05	COM050A7	30.48	1.200	150	0.35
06	COM060A7	38.10	1.500	125	0.35
07	COM070A7	45.72	1.800	100	0.33
08	COM080A7	53.34	2.100	75	0.28
09	COM090A7	60.96	2.400	75	0.32
10	COM100A7	68.58	2.700	75	0.35
11	COM110A7	76.20	3.000	50	0.26
12	COM120A7	83.82	3.300	50	0.28

COM_0A6 Straight, Side Stackable Male
10.16 mm / .400" Pitch

Poles	STD Code	L [mm]	L [inch]	Pcs/pack.	Weight
02	COM020A6	10.16	0.400	400	0.40
03	COM030A6	20.32	0.800	250	0.37
04	COM040A6	30.48	1.200	175	0.35
05	COM050A6	40.64	1.600	125	0.31
06	COM060A6	50.80	2.000	100	0.30
07	COM070A6	60.96	2.400	75	0.26
08	COM080A6	71.12	2.800	75	0.30
09	COM090A6	81.28	3.200	50	0.22
10	COM100A6	91.44	3.600	50	0.25
11	COM110A6	101.60	4.000	50	0.27
12	COM120A6	111.76	4.400	50	0.30
13	COM130A6	121.92	4.800	50	0.32



COM_9A1 90°, Side Stackable Male
5 mm / .197" Pitch Weight per pole: 0.04 g

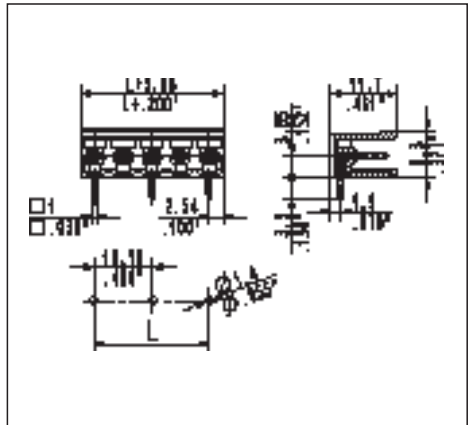
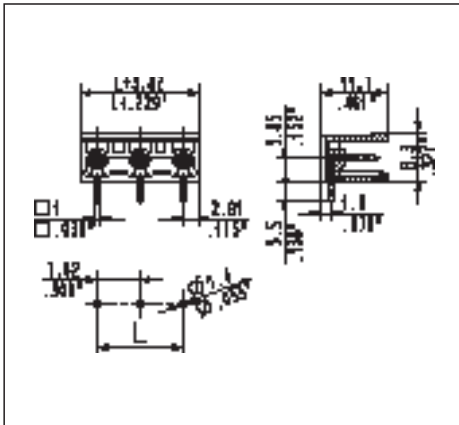
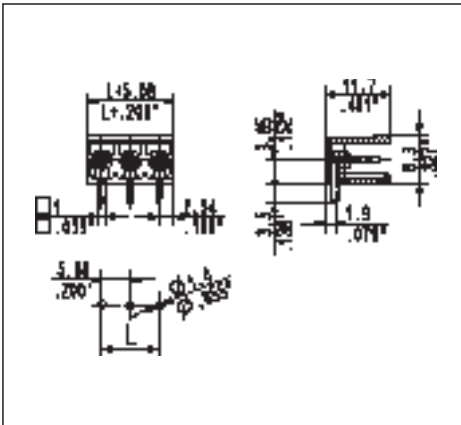
Poles	STD Code	L [mm]	L [inch]	Pcs/pack.	Weight
02	COM029A1	5.00	0.197	500	0.36
03	COM039A1	10.00	0.394	400	0.44
04	COM049A1	15.00	0.591	300	0.44
05	COM059A1	20.00	0.787	250	0.46
06	COM069A1	25.00	0.984	200	0.44
07	COM079A1	30.00	1.181	175	0.45
08	COM089A1	35.00	1.378	150	0.44
09	COM099A1	40.00	1.575	125	0.41
10	COM109A1	45.00	1.772	100	0.36
11	COM119A1	50.00	1.969	100	0.40
12	COM129A1	55.00	2.165	75	0.33
13	COM139A1	60.00	2.362	75	0.35
14	COM149A1	65.00	2.559	75	0.38
15	COM159A1	70.00	2.756	75	0.41
16	COM169A1	75.00	2.953	75	0.44
17	COM179A1	80.00	3.150	50	0.31
18	COM189A1	85.00	3.346	50	0.33
19	COM199A1	90.00	3.543	50	0.35
20	COM209A1	95.00	3.740	50	0.36
21	COM219A1	100.00	3.937	50	0.38
22	COM229A1	105.00	4.134	50	0.40
23	COM239A1	110.00	4.331	50	0.42
24	COM249A1	115.00	4.528	50	0.44
25	COM259A1	120.00	4.724	50	0.46

COM_9A3 90°, Side Stackable Male
7.5 mm / .295" Pitch Weight per pole: 0.05 g

Poles	STD Code	L [mm]	L [inch]	Pcs/pack.	Weight
02	COM029A3	7.50	0.295	400	0.38
03	COM039A3	15.00	0.591	250	0.36
04	COM049A3	22.50	0.886	200	0.38
05	COM059A3	30.00	1.181	150	0.36
06	COM069A3	37.50	1.476	125	0.36
07	COM079A3	45.00	1.772	100	0.33
08	COM089A3	52.50	2.067	75	0.29
09	COM099A3	60.00	2.362	75	0.32
10	COM109A3	67.50	2.657	75	0.36
11	COM119A3	75.00	2.953	50	0.26
12	COM129A3	82.50	3.248	50	0.29

COM_9A2 90°, Side Stackable Male
10 mm / .394" Pitch Weight per pole: 0.06 g

Poles	STD Code	L [mm]	L [inch]	Pcs/pack.	Weight
02	COM029A2	10.00	0.394	400	0.42
03	COM039A2	20.00	0.787	250	0.39
04	COM049A2	30.00	1.181	175	0.36
05	COM059A2	40.00	1.575	125	0.33
06	COM069A2	50.00	1.969	100	0.31
07	COM079A2	60.00	2.362	75	0.27
08	COM089A2	70.00	2.756	75	0.31
09	COM099A2	80.00	3.150	50	0.23
10	COM109A2	90.00	3.543	50	0.26
11	COM119A2	100.00	3.937	50	0.29
12	COM129A2	110.00	4.331	50	0.31
13	COM139A2	120.00	4.724	50	0.34



COM_9A5 90°, Side Stackable Male
5.08 mm / .200" Pitch Weight per pole: 0.04 g

Poles	STD Code	L [mm]	L [inch]	Pcs/pack.	Weight
02	COM029A5	5.08	0.200	500	0.36
03	COM039A5	10.16	0.400	400	0.44
04	COM049A5	15.24	0.600	300	0.44
05	COM059A5	20.32	0.800	250	0.46
06	COM069A5	25.40	1.000	200	0.44
07	COM079A5	30.48	1.200	175	0.45
08	COM089A5	35.56	1.400	150	0.44
09	COM099A5	40.64	1.600	125	0.41
10	COM109A5	45.72	1.800	100	0.36
11	COM119A5	50.80	2.000	100	0.40
12	COM129A5	55.88	2.200	75	0.33
13	COM139A5	60.96	2.400	75	0.35
14	COM149A5	66.04	2.600	75	0.38
15	COM159A5	71.12	2.800	75	0.41
16	COM169A5	76.20	3.000	75	0.44
17	COM179A5	81.28	3.200	50	0.31
18	COM189A5	86.36	3.400	50	0.33
19	COM199A5	91.44	3.600	50	0.35
20	COM209A5	96.52	3.800	50	0.36
21	COM219A5	101.60	4.000	50	0.38
22	COM229A5	106.68	4.200	50	0.40
23	COM239A5	111.76	4.400	50	0.42
24	COM249A5	116.84	4.600	50	0.44
25	COM259A5	121.92	4.800	50	0.46

COM_9A7 90°, Side Stackable Male
7.62 mm / .300" Pitch Weight per pole: 0.05 g

Poles	STD Code	L [mm]	L [inch]	Pcs/pack.	Weight
02	COM029A7	7.62	0.300	400	0.38
03	COM039A7	15.24	0.600	250	0.36
04	COM049A7	22.86	0.900	200	0.38
05	COM059A7	30.48	1.200	150	0.36
06	COM069A7	38.10	1.500	125	0.36
07	COM079A7	45.72	1.800	100	0.33
08	COM089A7	53.34	2.100	75	0.29
09	COM099A7	60.96	2.400	75	0.32
10	COM109A7	68.58	2.700	75	0.36
11	COM119A7	76.20	3.000	50	0.26
12	COM129A7	83.82	3.300	50	0.29

COM_9A6 90°, Side Stackable Male
10.16 mm / .400" Pitch Weight per pole: 0.06 g

Poles	STD Code	L [mm]	L [inch]	Pcs/pack.	Weight
02	COM029A6	10.16	0.400	400	0.42
03	COM039A6	20.32	0.800	250	0.39
04	COM049A6	30.48	1.200	175	0.36
05	COM059A6	40.64	1.600	125	0.33
06	COM069A6	50.80	2.000	100	0.31
07	COM079A6	60.96	2.400	75	0.27
08	COM089A6	71.12	2.800	75	0.31
09	COM099A6	81.28	3.200	50	0.23
10	COM109A6	91.44	3.600	50	0.26
11	COM119A6	101.60	4.000	50	0.29
12	COM129A6	111.76	4.400	50	0.31
13	COM139A6	121.92	4.800	50	0.34