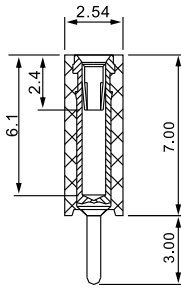
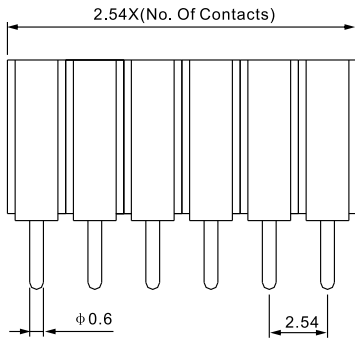


■ **Specifications**

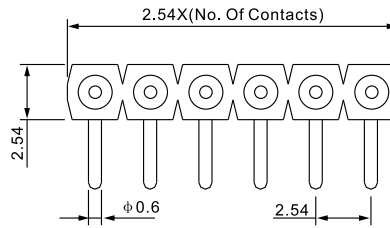
Current rating:1.0AAC/DC
Voltage rating:100V AC/DC
Contact resistance:10m ohm. max.
Insulation resistance:5000M ohm. Min.
Withstanding voltage:1000V AC for one minute
Operating temperature range:-40°C to +105°C

■ **Material and Finish**

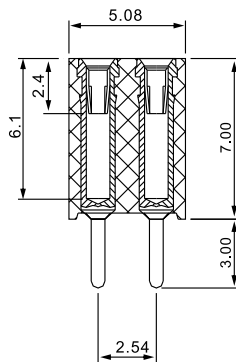
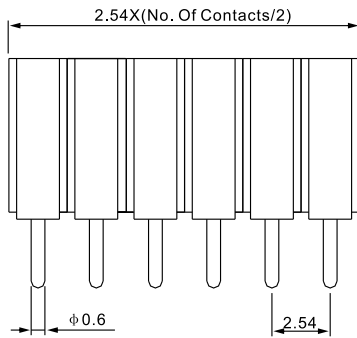
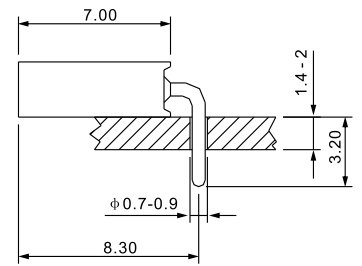
Insulator:High Temp. Plastic(UL94V-0)
Contact:Copper Alloy
Finish:Selective Gold Plated



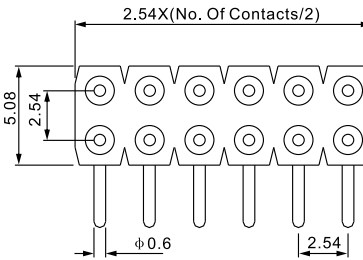
P/N: 6801S-XX-70



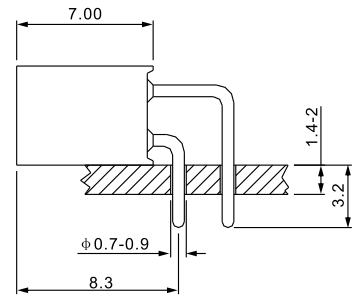
P/N: 7801R-XX-70



P/N: 6803S-XX-70



P/N: 7803R-XX-70



■ **Ordering Information**

6801S-XX-70

① ② ③

① 6801S:Single Row 6803S:Double Rows	② No. Of Contacts	③ Insulator Height 70:7.0mm
---	-------------------	--------------------------------

7801R-XX-XX

① ② ③

① 7801R:R/A Single Row 7803R:R/A Double Rows	② No. Of Contacts	③ Insulator Height 70:7.0mm
---	-------------------	--------------------------------

Machine Pin

Unit:mm