

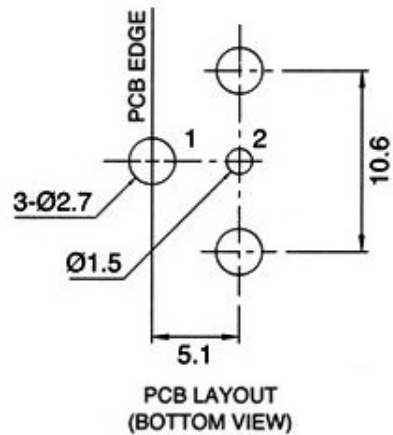
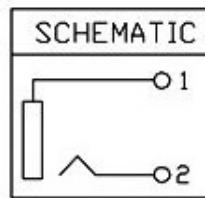
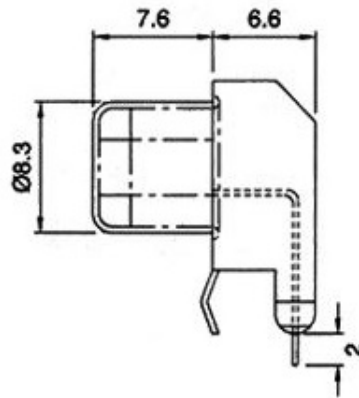
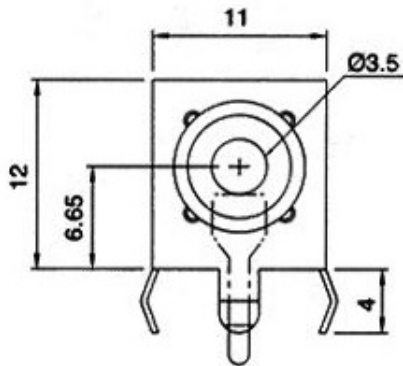


Item No. : K366F

RoHS : RoHS

Description :

RCA phono jack



Materials

Outer contact: C2680 t=0.4, all over CuSn 40u" Min.
Terminal: C2680 t=0.3, all over CuSn 40u" Min.
Washer: PBT+15%GF(PBT4815), UL-94V0
Insulator: PBT+15%GF(PBT4815), UL-94V0 (black)