

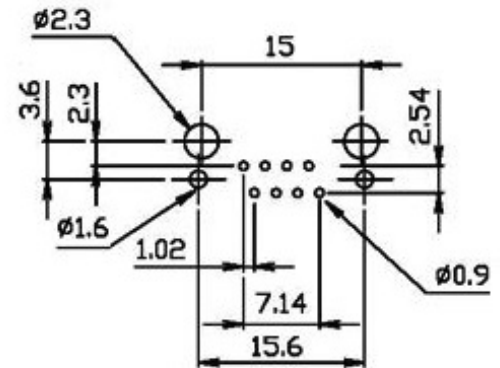
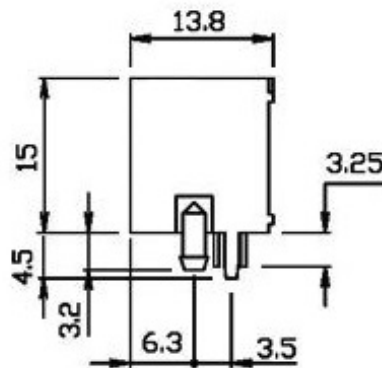
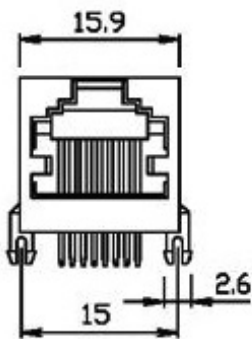


Item No. : X98139SA

RoHS : RoHS

Description :

Modular shielded jack 8P8C



PC Board Layout

Materials

Housing: PBT with glass fiber, UL94V-0, black

Contacts: Phosphor bronze

Shell: Brass

Finishes

Contacts: Gold flash

Shell: 0.508 μm [20 μm] min. nickel plated.