

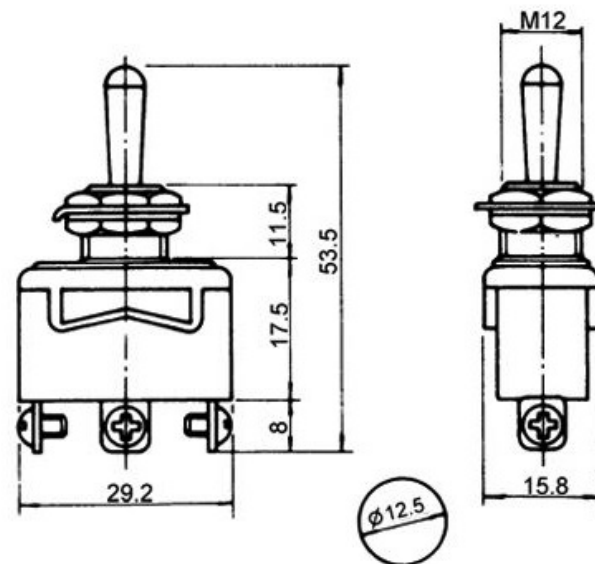


Item No. : B067CM

RoHS : RoHS

Description :

3P 3 ways toggle switch (SPDT)
(on)-off-(on) 250V 10A



Specifications

Rating	10A 250VAC
Insulation resistance	DC 500V 200MΩ or more
Contact resistance	DC 2-4V 1A 20mΩ or less
Withstand voltage	AC 1500V or more