



Fieldbus Coupler PROFINET IO; 1st Generation

Item No.: 750-340



Fieldbus Coupler PROFINET IO; 1st Generation

Marking

RoHS ✓
Compliant

Business data

Supplier	WAGO
Item no.	750-340
GTIN / EAN	4045454526979
Content	1
Order amount	1
Customer item number	

Notes

Item description: This fieldbus coupler connects the WAGO-I/O-SYSTEM as a slave to the PROFINET IO Industrial ETHERNET standard for automation. The fieldbus coupler supports all WAGO-I/O-SYSTEM modules. The coupler automatically configures, creating a local process image which may include analog, digital, or specialty modules. Analog and specialty module data is sent via words and/or bytes; digital data is sent bit by bit. The fieldbus coupler is integrated into the application as a PROFINET IO device. Max. length of fieldbus segment: 100 m between hub station and 750-340; max. length of network limited by PROFINET specification

Technical data

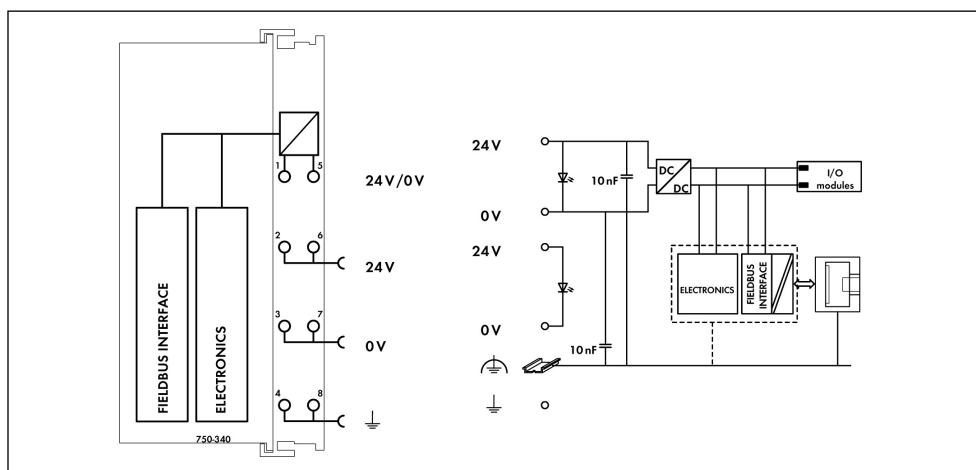
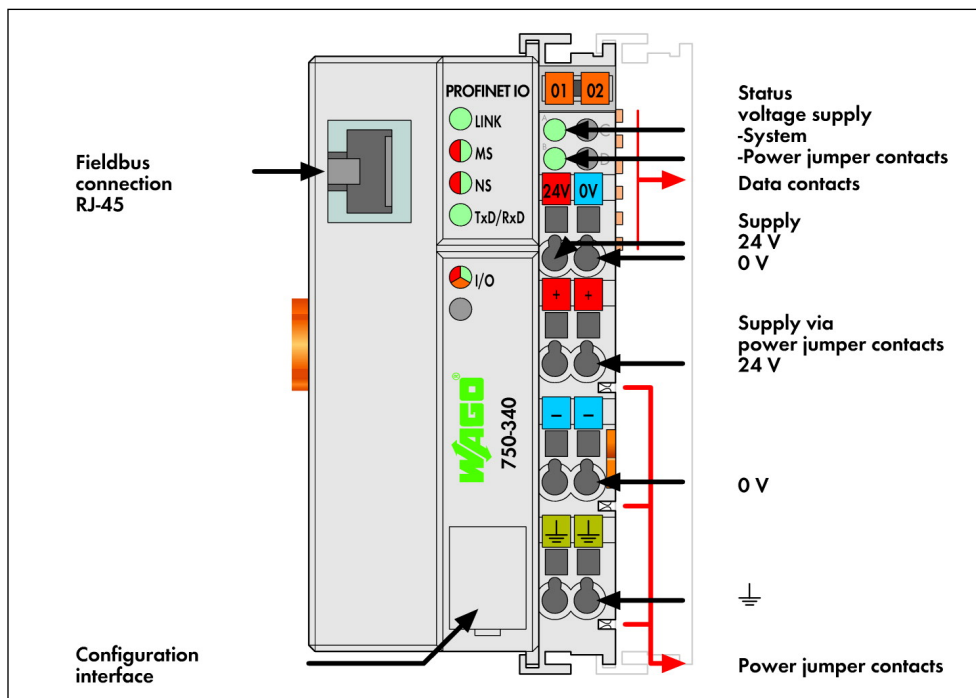
Miscellaneous

Color	light gray
Conformity marking	CE

Technical data	
No. of couplers connected to Master	limited by PROFINET specification
Transmission medium	Twisted Pair S-UTP 100 cat. 5
Baud rate	10/100 Mbit/s
Buscoupler connection	RJ-45
Number of I/O modules	64
with bus extension	128
Max. input process image	320 bytes
Max. output process image	320 bytes
Power supply	24 V DC (-15 % ... +20 %)
Max. input current (24 V) [mA]	500 [mA]
Power supply efficiency [%]	87 [%]
Internal current consumption (5 V) [mA]	300 [mA]
Total current for I/O modules (5 V) [mA]	1700 [mA]
Isolation	500 V system/supply
Voltage via power jumper contacts	24 V DC (-15 % ... +20 %)
Current via power jumper contacts (max.) [A]	DC10 A DC [A]
Degree of protection	IP20
Connection technology	CAGE CLAMP®
Solid conductor	0.08 ... 2.5 mm ² / 28 ... 14 AWG
Fine-stranded conductor	0.08 ... 2.5 mm ² / 28 ... 14 AWG
Strip length	8 ... 9 mm / 0.31 ... 0.35 Inch
Fire load [MJ]	3.297 [MJ]
Weight [g]	182.437 [g]
Width	50.5 mm / 1.988 Inch
Height	71.1 mm / 2.799 Inch
Height from upper-edge of DIN-35 rail	63.9 mm / 2.516 Inch
Depth	100 mm / 3.937 Inch
Storage temperature	-25 °C ... +85 °C
Relative air humidity (no condensation) [%]	95 [%]
Type of mounting	DIN-35 x 15 carrier rail
Operating temperature	0 °C ... +55 °C
EMC emission of interference	acc. to EN 61000-6-4
EMC immunity to interference	acc. to EN 61000-6-2
Shock resistance	acc. to IECacc. to IEC 60068-2-27
Vibration resistance	acc. to IECacc. to IEC 60068-2-6

Images & drawings





Address

WAGO Kontakttechnik GmbH & Co. KG

Hansastr. 27

32423 Minden

Telefon: 0571/887-0

Fax: 0571/887-169

<http://www.wago.com>

© WAGO Kontakttechnik GmbH & Co. KG

Technische Änderungen und Irrtümer vorbehalten.