



2-conductor ground terminal block

Item No.: 280-607



2-conductor ground terminal block

Marking

RoHS
Compliant

Business data

Supplier	WAGO
Item no.	280-607
GTIN / EAN	4045454100087
Content	1
Order amount	100
Customer item number	

Notes

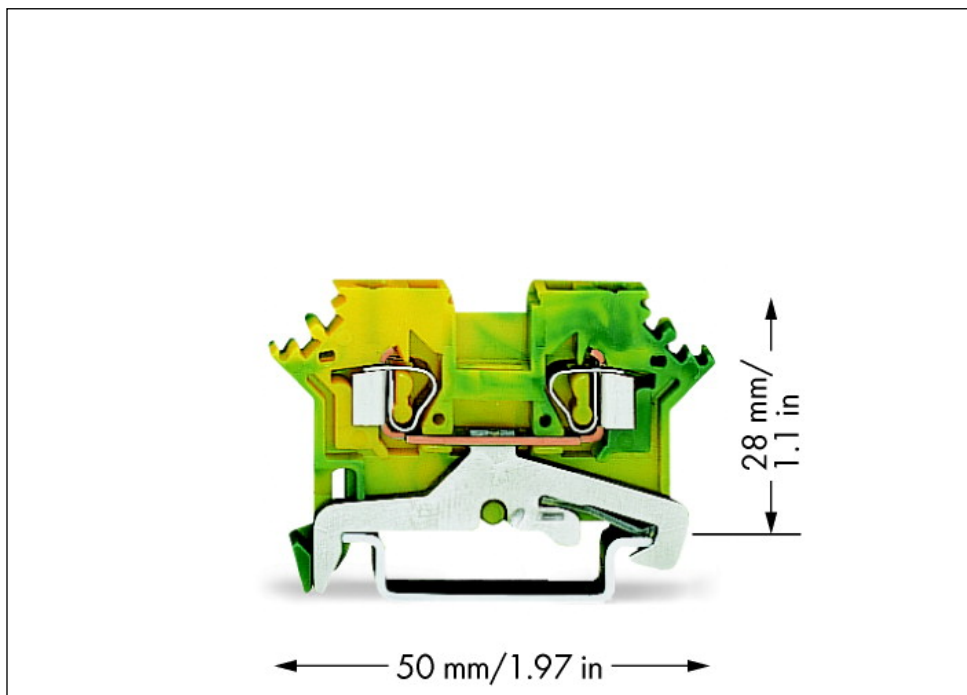
Technical data

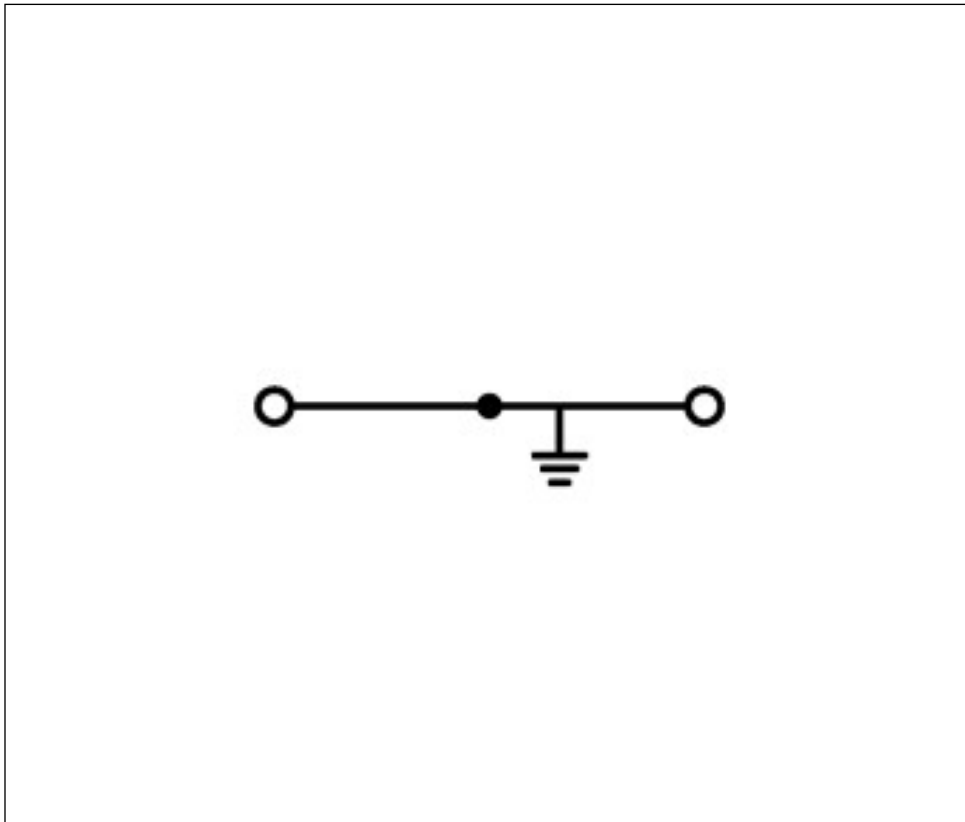
Miscellaneous

Total number of connection points	2
Total number of potentials	1
Color	green-yellow
Ratings per	IEC/EN 60947-7-2
Number of levels	1
Connection technology	CAGE CLAMP®

Technical data	
<i>Number of connection points connector</i>	2
<i>Actuation type</i>	<i>Operating tool</i>
<i>Connectable conductor materials</i>	<i>Copper</i>
<i>Solid conductors, tool-operated termination</i>	0.08 ... 2.5 mm ² / 28 ... 12 AWG
<i>Fine-stranded conductors, tool-operated termination</i>	0.08 ... 2.5 mm ² / 28 ... 12 AWG
<i>Strip length</i>	8 ... 9 mm / 0.31 ... 0.35 inch
<i>Note (conductor cross-section)</i>	12 AWG: THHN, THWN
<i>Type of wiring</i>	<i>Front-entry wiring</i>
<i>Design</i>	<i>horizontal</i>
<i>Marking level</i>	<i>Side marking</i>
<i>Insulating material</i>	<i>Polyamide 66 (PA 66)</i>
<i>Fire load [MJ]</i>	0.09 [MJ]
<i>Weight [g]</i>	8.75 [g]
<i>Width</i>	5 mm / 0.197 in.
<i>Height from upper-edge of DIN-35 rail</i>	28 mm / 1.102 in.
<i>Depth</i>	50 mm / 1.969 in.
<i>Type of mounting</i>	<i>DIN-35 rail</i>

Images & drawings





Address

WAGO Kontakttechnik GmbH & Co. KG

Hansastr. 27

32423 Minden

Telefon: 0571/887-0

Fax: 0571/887-169

<http://www.wago.com>

© WAGO Kontakttechnik GmbH & Co. KG

Technische Änderungen und Irrtümer vorbehalten.