

Printview: Primary switch mode power supplies; Output voltage DC 24 V; 1.3 A; open circuit and short-circuit protected; adjustable output voltage; LED status indication - Item No.: 787-602



Primary switch mode power supplies; Output voltage DC 24 V; 1.3 A; open circuit and short-circuit protected; adjustable output voltage; LED status indication



Item No.: 787-602

Primary switch mode power supplies; Output voltage DC 24 V; 1.3 A; open circuit and short-circuit protected; adjustable output voltage; LED status indication

Marking

RoHS ✓
Compliant

Business data

Supplier	WAGO
Item no.	787-602
GTIN / EAN	4045454435134
Content	1
Order amount	1
Customer item number	

Notes

Item description: Switched-mode power supply
Protection class I
Natural convection cooling when horizontally mounted
Enclosed for use in control cabinets
Electrically isolated output voltage (SELV) per EN 60950-1/UL 60950
External fuse: C10 or B16 circuit breakers
An external DC fuse is required for the DC input voltage
Transient overvoltage protection: Varistor

Technical data

Miscellaneous

Inrush current	< 25 A
Overvoltage protection	max. 40 VDC (output)

Printview: Primary switch mode power supplies; Output voltage DC 24 V; 1.3 A; open circuit and short-circuit protected; adjustable output voltage; LED status indication - Item No.: 787-602

Technical data	
Power loss <i>P_V</i>	4.9 W typ. (230 VAC / 24 VDC, 1.3 A)
Protection class	class I
Factory preset	24 VDC
Overload behavior	Hiccup
Degree of pollution (5)	2 (acc. to EN 50178)
Input voltage range	90 ... 264 VAC; 130 ... 300 VDC
Output voltage range	22 ... 28.8 VDC adjustable
Frequency	50 ... 60 Hz
Nominal input voltage <i>V_{i nom}</i>	100 ... 240 VAC; 140 ... 300 VDC
Input current <i>I_i</i>	0.3 A typ. at 230 VAC
Discharge current	900 µA typ.
Mains failure hold-up time	> 20 ms at 230 VAC
Internal fuse	2 AT / 250 VAC
Nominal output voltage <i>V_{o nom}</i>	24 VDC, SELV
Output current <i>I_o</i>	1.3 A at 24 VDC
Residual ripple	< 100 mVpp to 20 MHz
Derating	-3 % / K (> 50 °C)
Adjustment accuracy [%]	< 3 [%]
Current limitation	from approx. 1.5 x <i>I_o</i>
Parallel operation	no
Feedback voltage	max. 30 VDC
Efficiency	83 % typ.
Test voltage pri. - gr. [kV]	2.2 kV DC [kV]
Test voltage PRI-SEC [kV]	4.2 kV DC [kV]
Test voltage sec. - gr. [kV]	0.7 kV DC [kV]
Degree of protection	IP20 acc. to EN 60529
Operational indication	LED green (24 V o.k.)
Overload protection	via thermal protective circuit
Short circuit protection	yes ("hiccup")
No-load proof	yes
Connection technology	CAGE CLAMP®
Solid conductors, tool-operated termination	0.08 ... 2.5 mm ² / 28 ... 12 AWG
Strip length	8 ... 9 mm / 0.31 ... 0.35 inch
Solid conductors, tool-operated termination (3)	0.08 ... 2.5 mm ² / 28 ... 12 AWG

Printview: Primary switch mode power supplies; Output voltage DC 24 V; 1.3 A; open circuit and short-circuit protected; adjustable output voltage; LED status indication - Item No.: 787-602

Technical data	
<i>Weight [g]</i>	<i>300 [g]</i>
<i>Width</i>	<i>40 mm / 1.575 in.</i>
<i>Height from upper-edge of DIN-35 rail</i>	<i>95 mm / 3.74 in.</i>
<i>Depth</i>	<i>90 mm / 3.543 in.</i>
<i>Storage temperature</i>	<i>-25 °C ... +85 °C</i>
<i>Type of mounting</i>	<i>DIN-35 rail</i>
<i>Ambient operating temperature</i>	<i>-10°C ... +70°C</i>
<i>Mounting type</i>	<i>DIN-rail mounting (EN 60715)</i>
<i>Climatic category</i>	<i>3K3 (acc. to EN 60721)</i>
<i>Relative humidity</i>	<i>30 % ... 85 % (no condensation)</i>

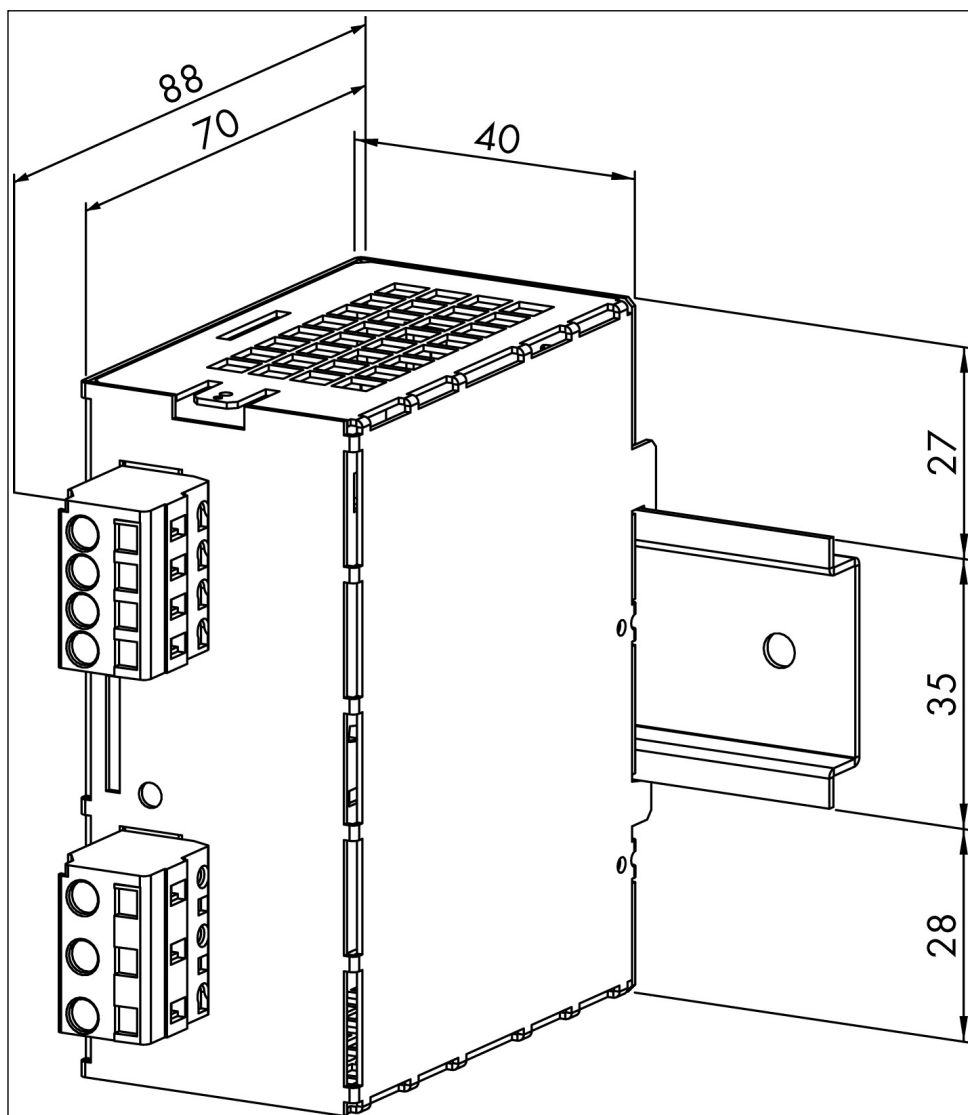
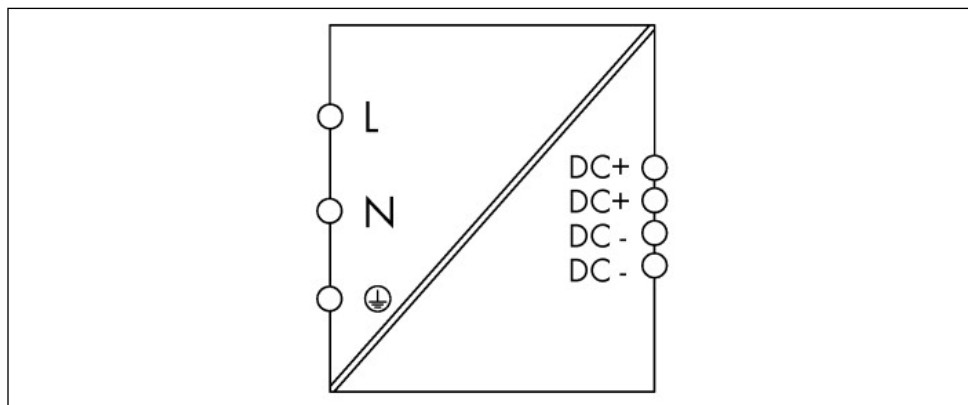
Printview: Primary switch mode power supplies; Output voltage DC 24 V; 1.3 A; open circuit and short-circuit protected; adjustable output voltage; LED status indication - Item No.: 787-602

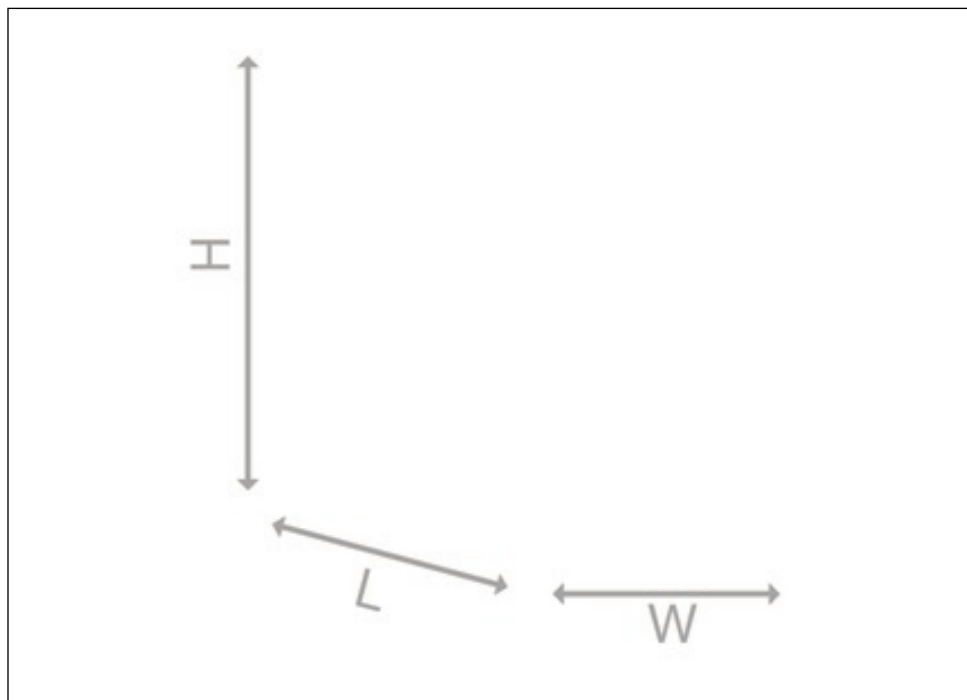
Images & drawings

Printview: Primary switch mode power supplies; Output voltage DC 24 V; 1.3 A; open circuit and short-circuit protected; adjustable output voltage; LED status indication - Item No.: 787-602



Printview: Primary switch mode power supplies; Output voltage DC 24 V; 1.3 A; open circuit and short-circuit protected; adjustable output voltage; LED status indication - Item No.: 787-602





Address

WAGO Kontakttechnik GmbH & Co. KG

Hansastr. 27

32423 Minden

Telefon: 0571/887-0

Fax: 0571/887-169

<http://www.wago.com>

© WAGO Kontakttechnik GmbH & Co. KG

Technische Änderungen und Irrtümer vorbehalten.