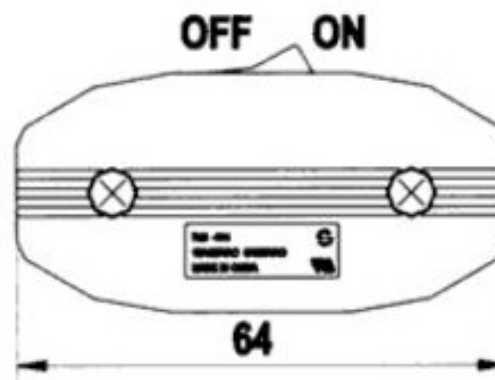
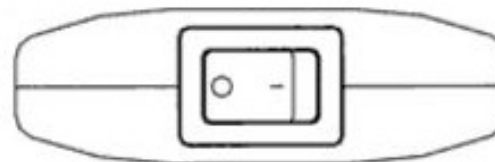
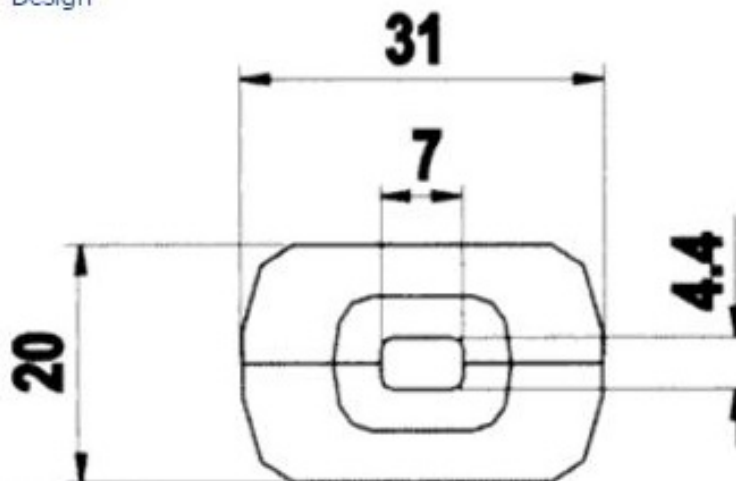


In-Line Rocker switch for cable mounting, R13-914 series



Design



Design Dimensions

Manufacturer	SCI
Switch type	ROCKER
AC contacts rating*	6 A / 250 V AC
Max. contact resistance:	50 mΩ
Test voltage	1.5 kV
Body material	polyamide
Flammability rating	UL94V-2
Body dimensions	64 x 31 x 20 mm
Body colour	black
Operating temperature	-20...85°C

* at resistance load