



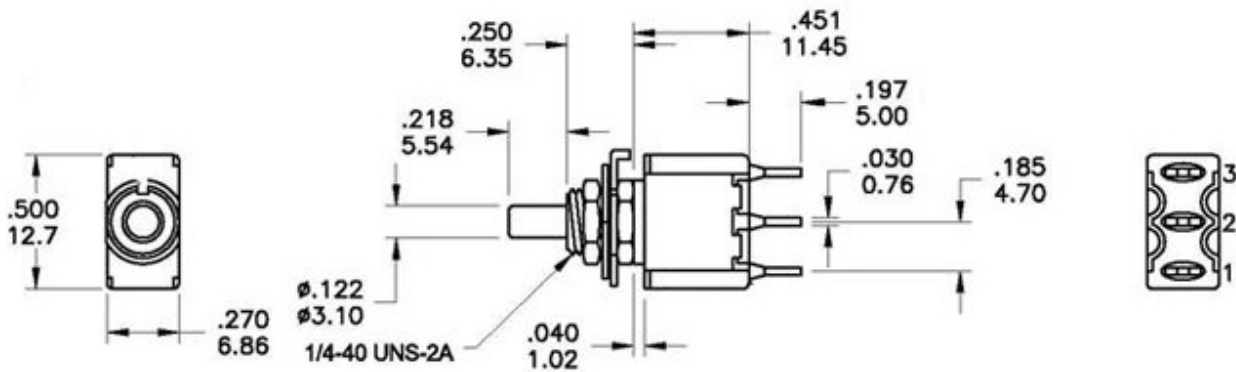
Item No. : B068BS

RoHS : RoHS

Description :

3P mini pushbutton switch (SPDT)
on-(on) Wapproval
120V 3A (250V 1A)

Approval:



Specifications

Contact rating: Dependent upon contact material.
 Mechanical life: 50,000 make-and-break cycles.
 Contact resistance: 20mΩ Max. initial @ 2-4VDC
 100mA for both silver and gold plated contacts.
 Insulation resistance: 1,000MΩ Min.
 Dielectric strength: 1,000 V RMS@sea level.
 Operating temperature: -30°C to 85°C.

Materials

Case: Diallyl phthalate (DAP)(UL94V-0).
 Plunger: Glass filled Nylon or Glass filled polyester.
 Bushing: Brass, nickel plated.
 Housing: Stainless steel.
 Contact: Silver or gold plated.

Contact material options

Contact materia	Terminal plating	Ratings
Silver	Silver	3 Amps with resistant load @ 120VAC or 28VDC 1 Amps with resistant load @ 250VA

Soldering processes

Manual soldering : Use soldering iron of 30 watts, controlled at 350°C approximately 5 seconds while applying solder.

Wave soldering : Recommended Soldering Temperature : 260 ± 5°C
 Duration of Solder Immersion : 5 ± 1 seconds
 (PCB is 1.6mm in thickness)

Soldering : Vapor phase

Temperature Profile

Zone	Room Temperature	Time (Sec)
Pre-heat (A)	150°C	Min 120s
Soak (B)	180°C ~200°C	Min 150s
Peak (C)	200°C ~235°C	Min 30s
Peak (D)	235°C ~260°C	Min 40s
Peak (E)	260°C	Max 10s

