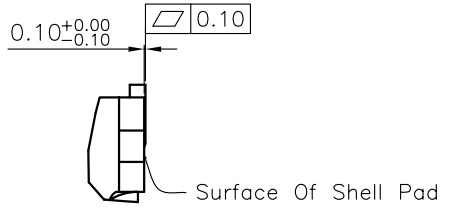
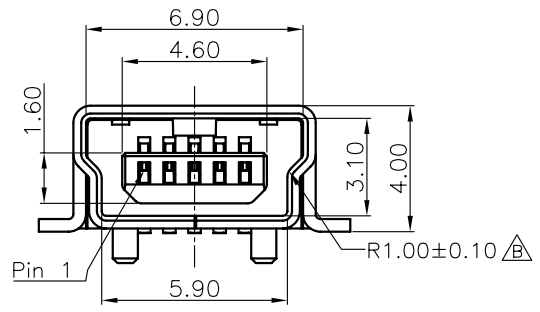
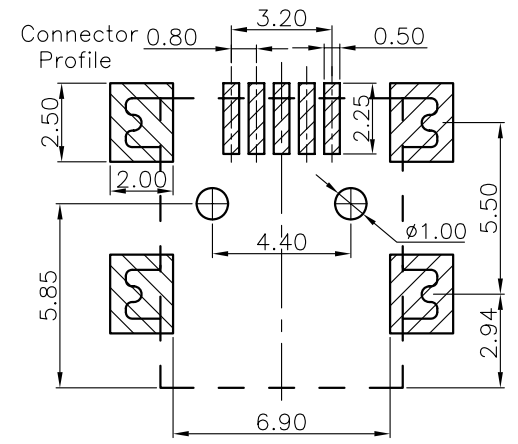


Specifications:
 Current Rating:1.0A AC/DC
 Voltage Rating:30V AC/DC
 Contact Resistance:20m Ohm.Max.
 Insulation Resistance:1,000M Ohm.Min.
 Withstanding Voltage:750V AC/Minute
 Operating Temperature Range:-40°C To +105°C
 Material and Finish
 Insulator:High Temp. Plastic.(LCP UL94V-0)
 Insulator Color:Black
 Contact:Phosphor Bronze
 Plating:Gold Plated on Contact Area,
 Tin Plated on Solder Tail.
 Shell:Brass,Tin Plated
 Packing:700 Pcs/Reel
 How To Order
 5075BMR-05-SM-CR

_____ Connector+Tape&Reel
 _____ SMD Type
 _____ No. Of Positions
 _____ Mini B Type



Detail A
 Scale 2/1



PCB Layout

RoHS Compliant

				DRAWN: P.D.J		GENERAL TOLERANCE: .X=±0.20 .XX=±0.15		繼德工業股份有限公司 Neltron Industrial Co., Ltd.		DESCRIPTION: Mini USB Socket 5P B Type		SIZE A4
				CHECKED: Jeremy Liu		UNIT: MM						
B	13-Nov-2008	add:R1.00±0.10	Andrew	APPROVAL: Mike Wu		SCALE:1:1		PART NO: 5075BMR-05-SM-CR				
A	31-Aug-2007	(PC0001)	P.D.J			SHEET: 1 / 1						
REV	DATE	FILE	BY			PROJECTION:						