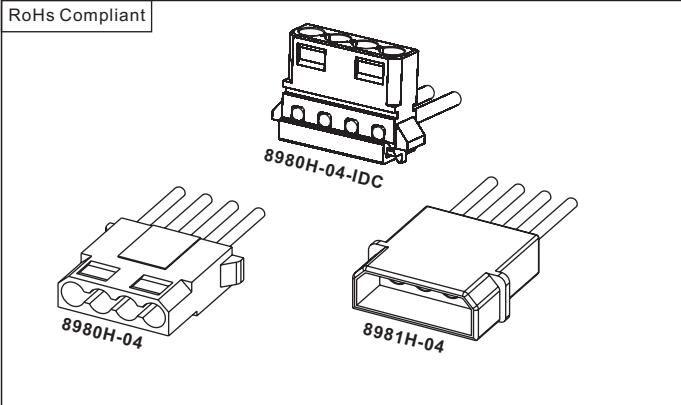


RoHS Compliant



**Specifications**

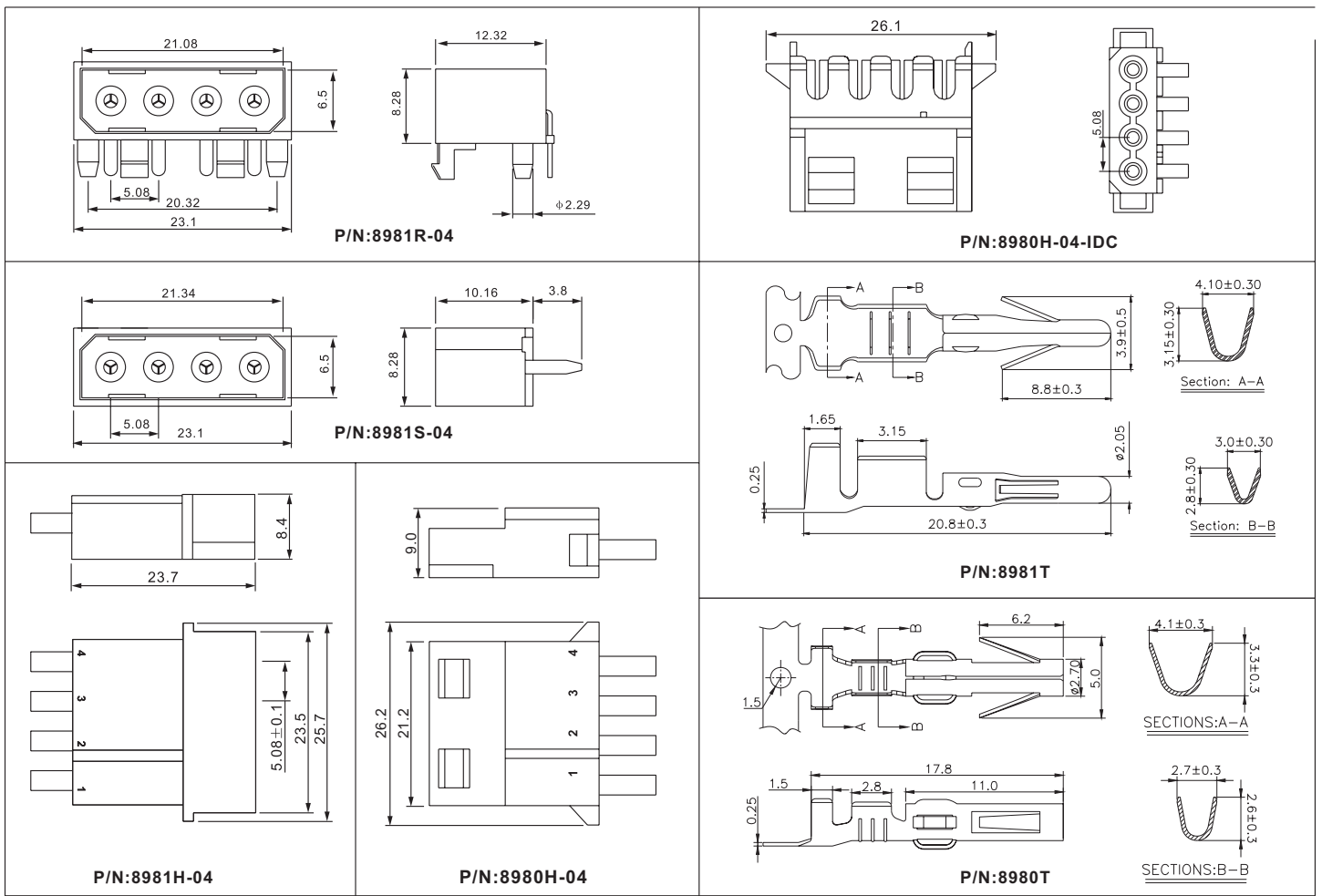
Current rating: 7.0A AC/DC  
Voltage rating: 600V AC/DC  
Contact resistance: 20m ohm. max.  
Insulation resistance: 5000M ohm. Min.  
Withstanding voltage: 1000V AC for one minute  
Operating temperature range: -40°C to +105°C  
Application: Wires Awg 18 to 24

**Material and Finish**

A. Housing Insulator: High Temp. Plastic (UL94V-2)  
B. Crimp Terminal: Phosphor Bronze Tin Plated

**Connection**

8980H-04 Mates With 8981H-04 8981S(R)-04



**Ordering Information**

**8980H-04**

|                         |                   |
|-------------------------|-------------------|
| ① H: Receptacle Housing | ② No. Of Contacts |
|-------------------------|-------------------|

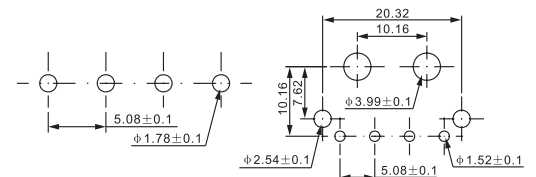
**8981H-04**

|  |                   |
|--|-------------------|
| ① H: Plug Housing<br>S: Straight Type<br>R: Right Angle Type | ② No. Of Contacts |
|--|-------------------|

**8980-04-ICD**

|            |                                      |
|------------|--------------------------------------|
| ① IDC Type | ② A: With A Cover<br>B: With B Cover |
|------------|--------------------------------------|

**Recommended PCB Layout**



P/N: 8981S-04

P/N: 8981R-04

Unit:mm