

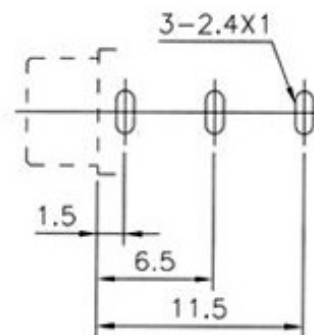
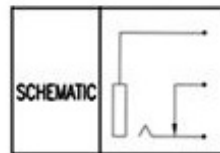
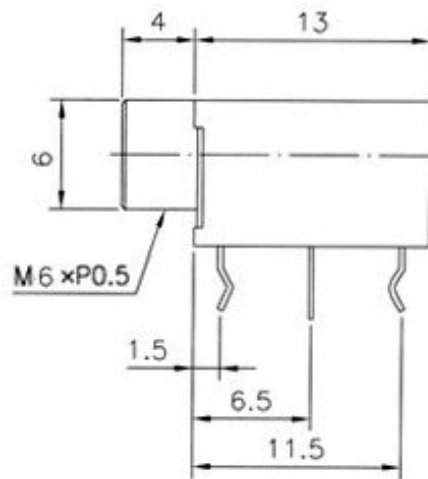
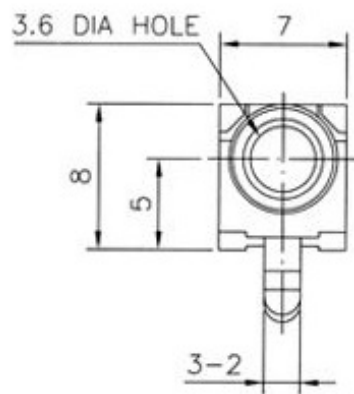


Item No. : K3632

RoHS : RoHS

Description :

3P 3.5mm Mono phone jack



Specifications

Withstanding voltage: 500VAC for 1 minute

Contact resistance: 30mΩ Max

Insulation resistance: 100MΩ Min at 500VDC