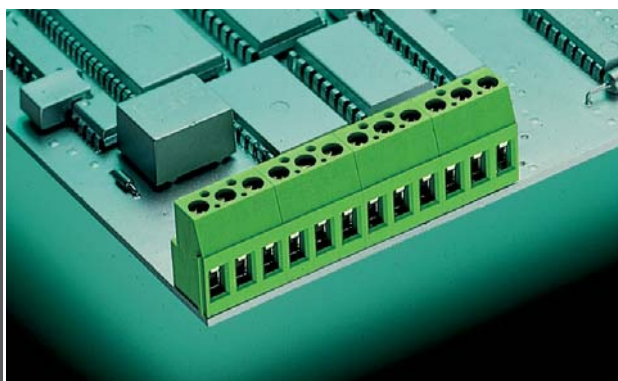




PTR

A Phoenix Mecano Company

AK(Z) 700 VERTICAL

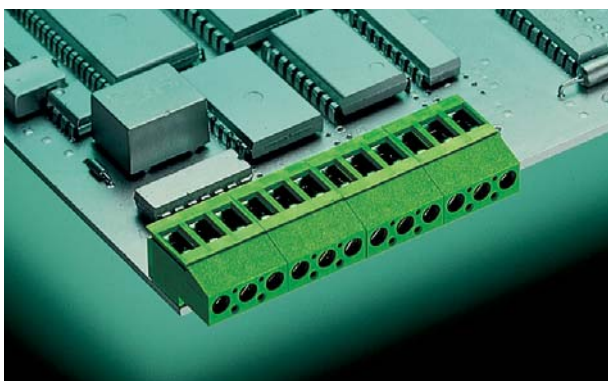


AK(Z) 700/.. - 5.0 (5.08) - V - GREEN

**2-12 poles, Spacing 5,0 mm and 5,08 mm
insert required no. of poles ..**

How to order see page 11

AK(Z) 700 HORIZONTAL



AK(Z) 700/.. - 5.0 (5.08) - H - GREEN

**2-12 poles, Spacing 5,0 mm and 5,08 mm
insert required no. of poles ..**

How to order see page 11

Ratings:



Rated Voltage	300 V	250 V
Rated Current	20 A	24 A (T60)
Wire Size	AWG 30-12	2,5 mm ²
Test Voltage		2,0 kV
Rated Torque / Screw Size		0,5 Nm/M3

Max. Rated Cross Section

Single Wired (solid)	4,0 mm ²
Stranded Wire (flexible)	2,5 mm ²
Stranded wire with Ferrules	2,5 mm ²

Dimensions

Spacing	5,0 mm (5,08 mm)
PCB Hole Diameter	1,3 mm
Stripped Length	8,0 mm

Materials

Insulating Material	PA
Flammability Class	UL94 V-0
Temperature Range	-30°C/+105°C
Terminal Block	CuZn
Wire Guard	Cu
Colour	green
	RAL 6018

Ratings:



Rated Voltage	300 V	250 V
Rated Current	15 A	24 A (T60)
Wire Size	AWG 22-14	2,5 mm ²
Test Voltage		2,0 kV
Rated Torque / Screw Size		0,5 Nm/M3

Max. Rated Cross Section

Single Wired (solid)	4,0 mm ²
Stranded Wire (flexible)	2,5 mm ²
Stranded wire with Ferrules	2,5 mm ²

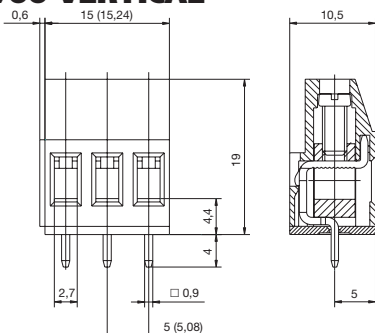
Dimensions

Spacing	5,0 mm (5,08 mm)
PCB Hole Diameter	1,3 mm
Stripped Length	8,0 mm

Materials

Insulating Material	PA
Flammability Class	UL94 V-0
Temperature Range	-30°C/+105°C
Terminal Block	CuZn
Wire Guard	Cu
Colour	green
	RAL 6018

AK(Z) 700 VERTICAL



AK(Z) 700 HORIZONTAL

