



Compact splicing connector; 5-conductor terminal block; with operating levers; max. continuous service temperature 85°C

Item No.: 222-415



Compact splicing connector; 5-conductor terminal block; with operating levers; max. continuous service temperature 85°C

Marking

RoHS ✓
Compliant

Business data

Supplier	WAGO
Item no.	222-415
GTIN / EAN	4044918464956
Content	1
Order amount	40
Customer item number	

Notes

Technical data

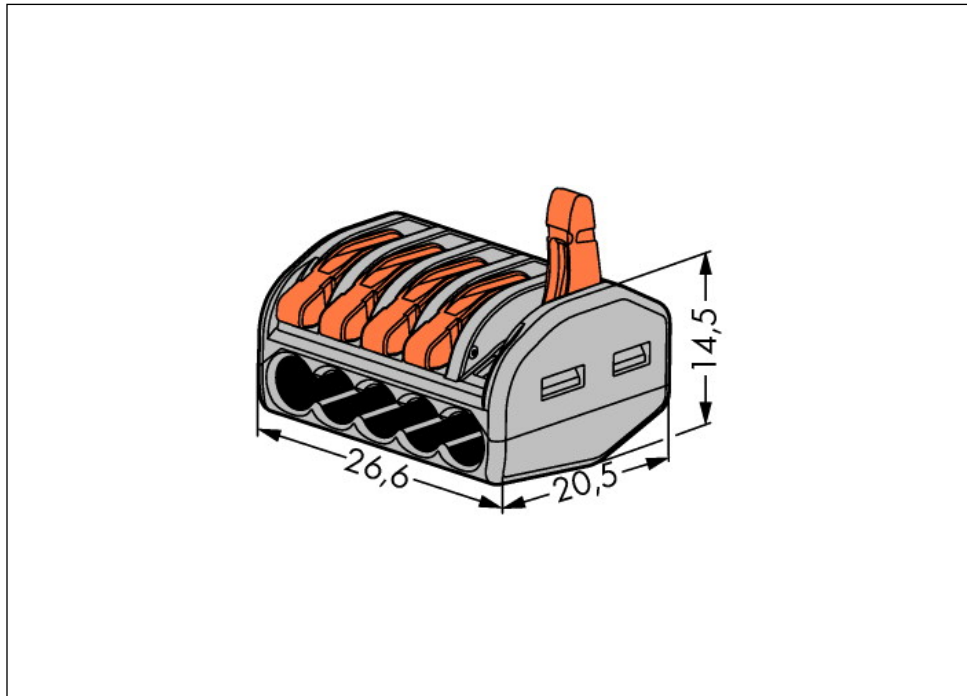
Miscellaneous

Total number of connection points	5
Total number of potentials	1
Color	gray
Rated voltage (II / 2) [V]	400 [V]
Rated impulse voltage (II / 2) [kV]	4 [kV]

Technical data	
<i>Rated current [A]</i>	<i>32 [A]</i>
<i>Connection technology</i>	<i>CAGE CLAMP®</i>
<i>Number of connection points connector</i>	<i>5</i>
<i>Actuation type</i>	<i>Push-in</i>
<i>Connectable conductor materials</i>	<i>Copper</i>
<i>Solid conductors, tool-operated termination</i>	<i>0.08 ... 2.5 mm² / 28 ... 12 AWG</i>
<i>Stranded conductors, tool-operated termination</i>	<i>0.08 ... 2.5 mm² / 28 ... 12 AWG</i>
<i>Fine-stranded conductors, tool-operated termination</i>	<i>0.08 ... 4 mm² / 28 ... 12 AWG</i>
<i>Strip length</i>	<i>9 ... 10 mm / 0.35 ... 0.39 inch</i>
<i>Type of wiring</i>	<i>Side-entry wiring</i>
<i>Fire load [MJ]</i>	<i>0.13 [MJ]</i>
<i>Weight [g]</i>	<i>6.58 [g]</i>
<i>Width</i>	<i>26.6 mm / 1.047 in.</i>
<i>Height</i>	<i>14.5 mm / 0.571 in.</i>
<i>Depth</i>	<i>20.5 mm / 0.807 in.</i>
<i>Safety information 1</i>	<i>In grounded power lines</i>

Images & drawings





Address

WAGO Kontakttechnik GmbH & Co. KG

Hansastr. 27

32423 Minden

Telefon: 0571/887-0

Fax: 0571/887-169

<http://www.wago.com>

© WAGO Kontakttechnik GmbH & Co. KG

Technische Änderungen und Irrtümer vorbehalten.