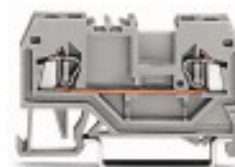




2-conductor through terminal block

Item No.: 279-901



2-conductor through terminal block

Marking

RoHS ✓
Compliant

Business data

Supplier	WAGO
Item no.	279-901
GTIN / EAN	4044918524506
Content	1
Order amount	100
Customer item number	

Notes

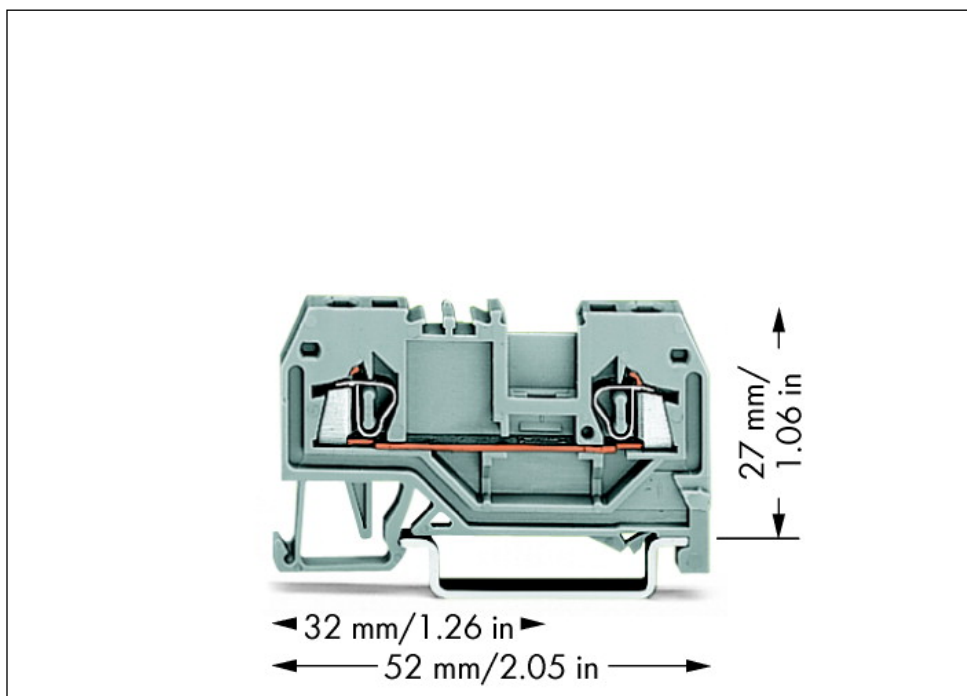
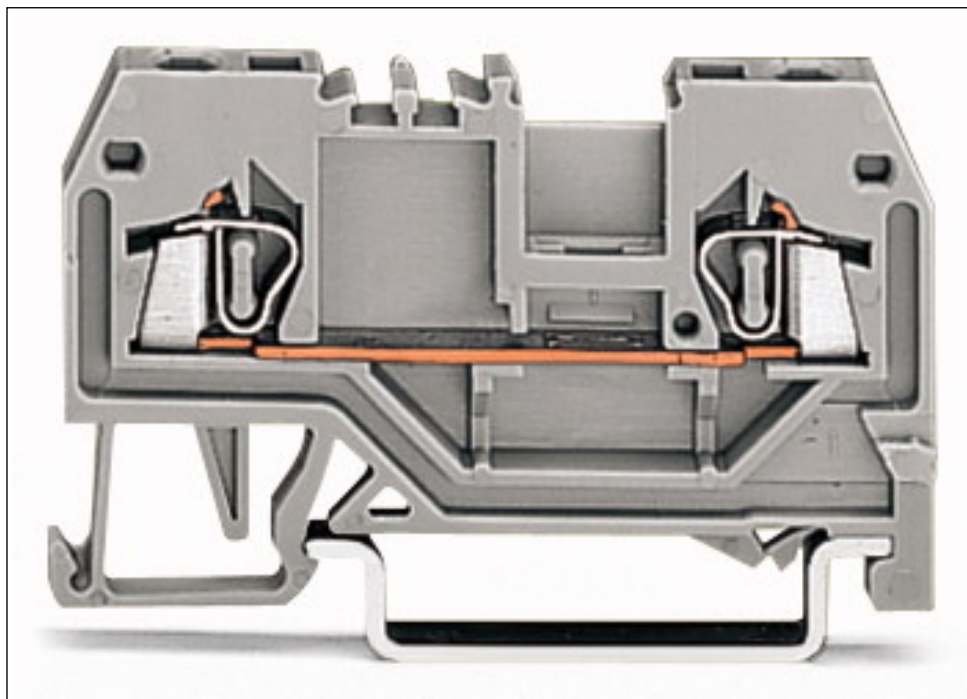
Technical data

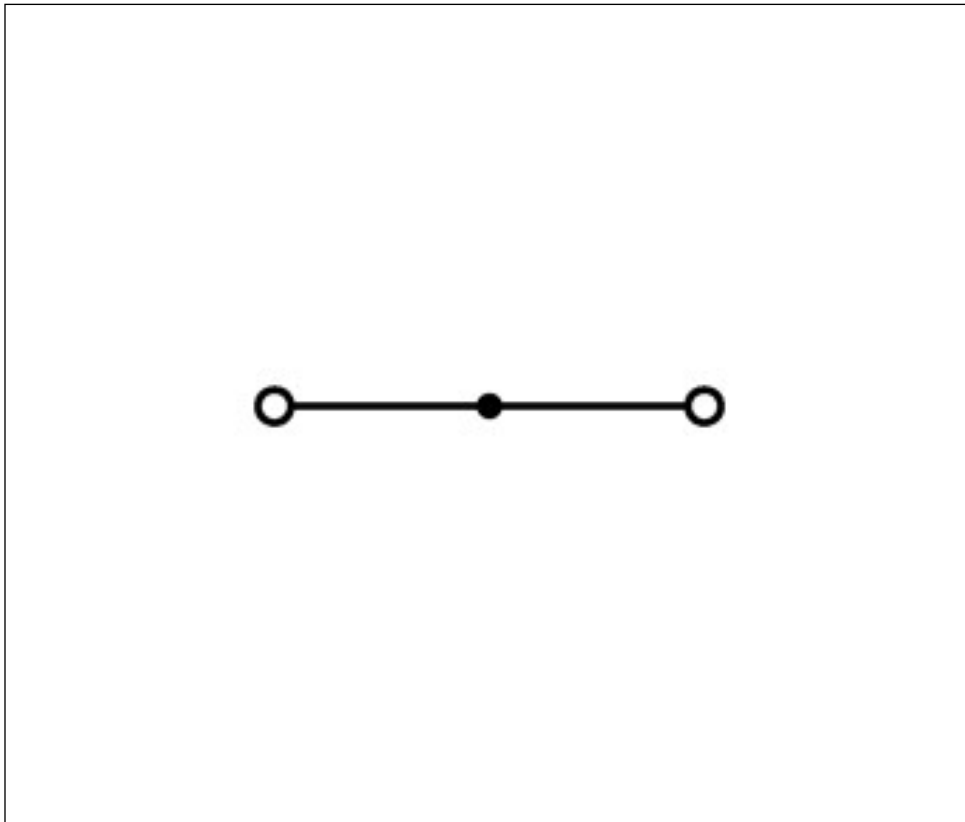
Miscellaneous

Total number of connection points	2
Total number of potentials	1
Color	gray
Ratings per	IEC/EN 60947-7-1
Rated voltage (III / 3) [V]	800 [V]
Rated impulse voltage (III / 3) [kV]	8 [kV]

Technical data	
<i>Rated current [A]</i>	<i>18 [A]</i>
<i>Number of levels</i>	<i>1</i>
<i>Connection technology</i>	<i>CAGE CLAMP®</i>
<i>Number of connection points connector</i>	<i>2</i>
<i>Actuation type</i>	<i>Operating tool</i>
<i>Connectable conductor materials</i>	<i>Copper</i>
<i>Solid conductors, tool-operated termination</i>	<i>0.08 ... 1.5 mm² / 28 ... 16 AWG</i>
<i>Fine-stranded conductors, tool-operated termination</i>	<i>0.08 ... 1.5 mm² / 28 ... 16 AWG</i>
<i>Strip length</i>	<i>8 ... 9 mm / 0.31 ... 0.35 inch</i>
<i>Type of wiring</i>	<i>Front-entry wiring</i>
<i>Design</i>	<i>horizontal</i>
<i>Marking level</i>	<i>Center marking</i>
<i>Insulating material</i>	<i>Polyamide 66 (PA 66)</i>
<i>Fire load [MJ]</i>	<i>0.086 [MJ]</i>
<i>Weight [g]</i>	<i>4.27 [g]</i>
<i>Width</i>	<i>4 mm / 0.157 in.</i>
<i>Height from upper-edge of DIN-35 rail</i>	<i>27 mm / 1.063 in.</i>
<i>Depth</i>	<i>52 mm / 2.047 in.</i>
<i>Type of mounting</i>	<i>DIN-35 rail</i>

Images & drawings





Address

WAGO Kontakttechnik GmbH & Co. KG

Hansastr. 27

32423 Minden

Telefon: 0571/887-0

Fax: 0571/887-169

<http://www.wago.com>

© WAGO Kontakttechnik GmbH & Co. KG

Technische Änderungen und Irrtümer vorbehalten.