



Male connector

Item No.: 231-604



Male connector

Marking

RoHS ✓
Compliant

Business data

Supplier	WAGO
Item no.	231-604
GTIN / EAN	4044918256896
Content	1
Order amount	100
Customer item number	

Notes

Item description: Universal connection for all conductor types Easy cable pre-assembly and on-unit wiring via vertical and horizontal CAGE CLAMP® actuation For "wire-to-wire" and "board-to-wire" connections Coding option available

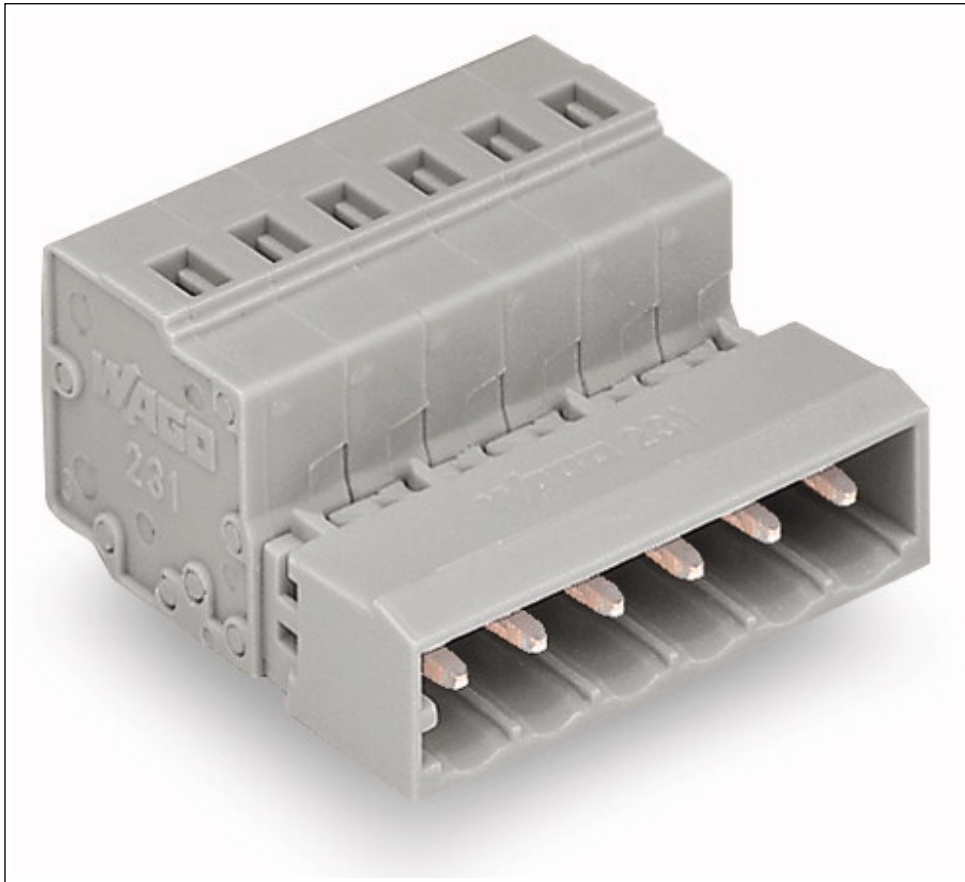
Technical data

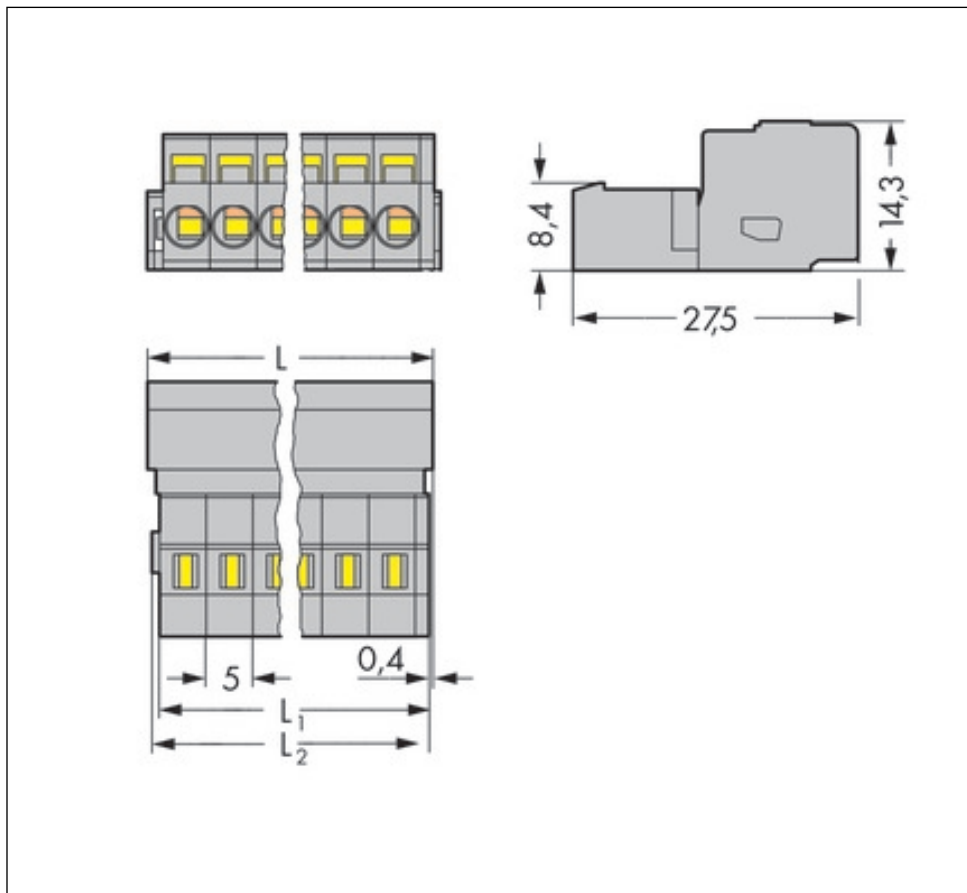
Miscellaneous

No. of poles	4
Pin spacing	5 mm (0.197 in)
Total number of connection points	4
Total number of potentials	4
Color	gray

Technical data	
<i>Ratings per</i>	<i>IEC/EN 60664-1</i>
<i>Rated voltage (III / 3) [V]</i>	<i>320 [V]</i>
<i>Rated impulse voltage (III / 3) [kV]</i>	<i>4 [kV]</i>
<i>Rated voltage (III/2) [V]</i>	<i>320 [V]</i>
<i>Rated impulse voltage (III / 2) [kV]</i>	<i>4 [kV]</i>
<i>Rated voltage (II / 2) [V]</i>	<i>630 [V]</i>
<i>Rated impulse voltage (II / 2) [kV]</i>	<i>4 [kV]</i>
<i>Rated current [A]</i>	<i>12 [A]</i>
<i>Number of connection objects</i>	<i>1</i>
<i>Number of levels</i>	<i>1</i>
<i>Connection technology</i>	<i>CAGE CLAMP®</i>
<i>Number of connection points connector</i>	<i>1</i>
<i>Actuation type</i>	<i>Operating tool</i>
<i>Solid conductors, tool-operated termination</i>	<i>0.08 ... 2.5 mm² / 28 ... 12 AWG</i>
<i>Fine-stranded conductors, tool-operated termination</i>	<i>0.08 ... 2.5 mm² / 28 ... 12 AWG</i>
<i>Fine-stranded conductors with insulated ferrule</i>	<i>0.25 ... 1.5 mm² / ...</i>
<i>Fine-stranded conductors with uninsulated ferrule</i>	<i>0.25 ... 2.5 mm² / ...</i>
<i>Strip length</i>	<i>8 ... 9 mm / 0.31 ... 0.35 inch</i>
<i>Cross section from (1) [AWG]</i>	<i>28 [AWG]</i>
<i>Cross section from (2) [mm²]</i>	<i>0.08 [mm²]</i>
<i>Cross section up to (2) [mm²]</i>	<i>2.5 [mm²]</i>
<i>Material group</i>	<i>I</i>
<i>Insulating material</i>	<i>Polyamide 66 (PA 66)</i>
<i>Flammability class per UL94</i>	<i>V0</i>
<i>Limit temperature range</i>	<i>-60 ... 100 C</i>
<i>Clamping spring material</i>	<i>Chrome-nickel spring steel (CrNi)</i>
<i>Contact material</i>	<i>Electrolytic copper (Ecu)</i>
<i>Contact plating</i>	<i>tin-plated</i>
<i>Fire load [MJ]</i>	<i>0.114 [MJ]</i>
<i>Weight [g]</i>	<i>6.26 [g]</i>
<i>Width</i>	<i>23.2 mm / 0.913 in.</i>
<i>Height</i>	<i>14.3 mm / 0.563 in.</i>
<i>Depth</i>	<i>27.5 mm / 1.083 in.</i>

Images & drawings





Address

WAGO Kontakttechnik GmbH & Co. KG

Hansastr. 27

32423 Minden

Telefon: 0571/887-0

Fax: 0571/887-169

<http://www.wago.com>

© WAGO Kontakttechnik GmbH & Co. KG

Technische Änderungen und Irrtümer vorbehalten.