

Printview: Plug; with strain relief housing; 3-pole; Pin spacing 10 mm / 0.394 in; 100% protected against mismatching; Cable diameter 8 - 11.5 mm - Item No.: 770-113

---



**Plug; with strain relief housing; 3-pole; Pin spacing 10 mm / 0.394 in; 100% protected against mismatching; Cable diameter 8 - 11.5 mm**

Item No.: 770-113



---

*Plug; with strain relief housing; 3-pole; Pin spacing 10 mm / 0.394 in; 100% protected against mismatching; Cable diameter 8 - 11.5 mm*

## Marking

RoHS ✓  
Compliant

## Business data

Supplier	WAGO
Item no.	770-113
GTIN / EAN	4044918254083
Content	1
Order amount	25
Customer item number	

## Notes

*Item description: Black coding A (L Erdung N) Note: All connectors for fixed installations (snap-in versions for lighting fixtures, devices or all types of PCBs and distribution cabinets) are factory-equipped with locking levers to ensure plugs and sockets are securely locked. Additional locking levers are only required for "flying leads" (plug/socket). All WINSTA® components are 100% protected against mismatching in terms of: a.) plugging different number of poles b.) plugging when turned by 180° c.) plugging when laterally staggered d.) plugging one pole Note on Continuous Service Temperature: -35°C ... +85°C PVC cable for temperatures 70 °C (including halogen-free) Insulating parts for temperatures 105 °C Mating cycles: 100, with resistive load IN = 25A, tested (4 mm<sup>2</sup>/AWG 12)*

## Technical data

Printview: Plug; with strain relief housing; 3-pole; Pin spacing 10 mm / 0.394 in; 100% protected against mismatching; Cable diameter 8 - 11.5 mm - Item No.: 770-113

<b>Technical data</b>	
<i>Miscellaneous</i>	
<i>No. of poles</i>	3
<i>Pin spacing</i>	10 mm / 0.394 in
<i>Total number of connection points</i>	6
<i>Total number of potentials</i>	3
<i>Potential marking</i>	L &#9178; N
<i>Color</i>	black
<i>Coding</i>	A
<i>Rated voltage (III / 3) [V]</i>	250 [V]
<i>Rated impulse voltage (III / 3) [kV]</i>	4 [kV]
<i>Rated current [A]</i>	25 [A]
<i>Mating cycles</i>	200, without resistive load
<i>Connection technology</i>	Push-in CAGE CLAMP®
<i>Number of connection points connector</i>	2
<i>Actuation type</i>	Operating tool
<i>Nominal cross section</i>	4 mm <sup>2</sup> / 12 AWG
<i>Solid conductors, tool-operated termination</i>	0.5 ... 4 mm <sup>2</sup> / 20 ... 12 AWG
<i>solid, push-in termination</i>	1.5 ... 4 mm <sup>2</sup> / 16 ... 12 AWG
<i>Stranded conductors, tool-operated termination</i>	0.5 ... 2.5 mm <sup>2</sup> / 20 ... 14 AWG
<i>Fine-stranded conductors, tool-operated termination</i>	0.5 ... 4 mm <sup>2</sup> / 20 ... 12 AWG
<i>Fine-stranded conductors with insulated ferrule</i>	0.25 ... 1.5 mm <sup>2</sup> / 20 ... 16 AWG
<i>Fine-stranded conductors with uninsulated ferrule</i>	0.25 ... 2.5 mm <sup>2</sup> / 20 ... 14 AWG
<i>Fine-stranded conductors with ferrule, push-in termination,</i>	1.5 mm <sup>2</sup> / 16 AWG
<i>Strip length</i>	9 mm / 0.35 inch
<i>Cross section from (1) [AWG]</i>	20 [AWG]
<i>Mating force of a plug-in connection</i>	approx. 20 ... 70 N (depending on pole number)
<i>Unmating force of a plug-in connection</i>	when unlocked: approx. 20 ... 70 N (depending on pole number)
<i>Retention force of a plug-in connection</i>	when locked: > 80N
<i>Insulating material</i>	Polyamide 66 (PA 66)
<i>Flammability class per UL94</i>	V0
<i>Clamping spring material</i>	Chrome nickel spring steel (CrNi)
<i>Contact material</i>	Copper or copper alloy, surface-treated
<i>Processing temperature</i>	-5°C ... +40°C

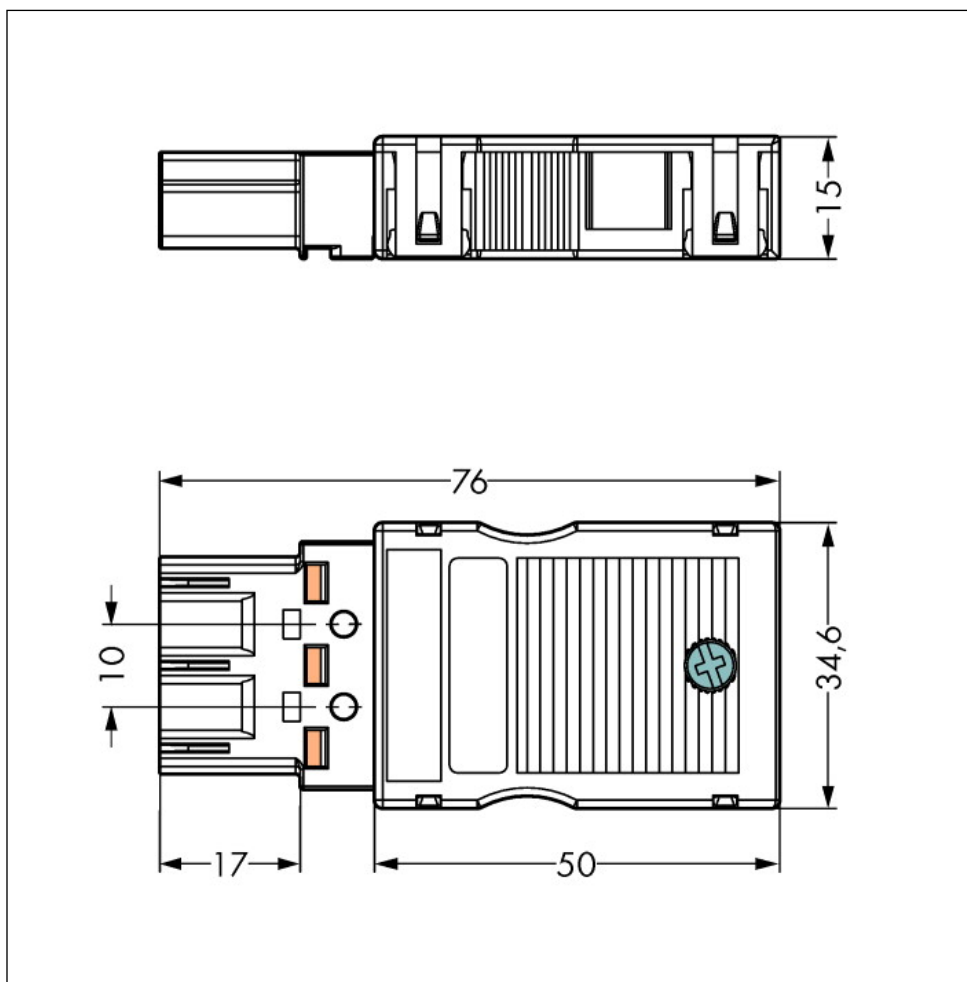
Printview: Plug; with strain relief housing; 3-pole; Pin spacing 10 mm / 0.394 in; 100% protected against mismatching; Cable diameter 8 - 11.5 mm - Item No.: 770-113

---

<b>Technical data</b>	
<i>Fire load [MJ]</i>	<i>0.458 [MJ]</i>
<i>Weight [g]</i>	<i>20.013 [g]</i>
<i>Width</i>	<i>34.6 mm / 1.362 in.</i>
<i>Height</i>	<i>15 mm / 0.591 in.</i>
<i>Depth</i>	<i>75.9 mm / 2.988 in.</i>
<i>Marking</i>	<i>L &amp;#9178; N</i>

Printview: Plug; with strain relief housing; 3-pole; Pin spacing 10 mm / 0.394 in; 100% protected against mismatching; Cable diameter 8 - 11.5 mm - Item No.: 770-113

## Images & drawings



**Address**

WAGO Kontakttechnik GmbH & Co. KG

Hansastr. 27

32423 Minden

Telefon: 0571/887-0

Fax: 0571/887-169

<http://www.wago.com>

© WAGO Kontakttechnik GmbH & Co. KG

Technische Änderungen und Irrtümer vorbehalten.