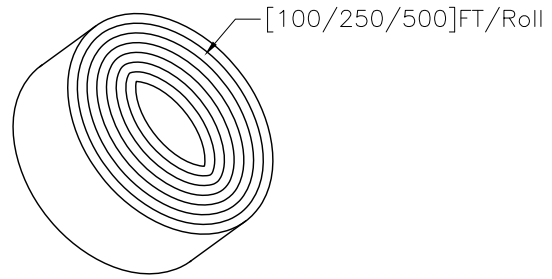


MARKING: E315658 AWM 2651 VW-1 105°C 300V 28 AWG NELTRON AWM I A/B 105°C 300V FT1 FT2 T2



Conductor Size: 28AWG 7/0.127mm
 Pitch: 1.27±0.08mm
 T: 0.90±0.10mm
 [I2-I1]=I<0.15mm
 [S2-S1]=S<0.15mm

Part No.	Dim. A	Dim. B	Tolerance
830-127-04C-XXX	3.81	5.08	±0.10
830-127-06C-XXX	6.35	7.62	±0.15
830-127-08C-XXX	8.89	10.16	±0.15
830-127-09C-XXX	10.16	11.43	±0.15
830-127-10C-XXX	11.43	12.70	±0.15
830-127-12C-XXX	13.97	15.24	±0.15
830-127-14C-XXX	16.51	17.78	±0.15
830-127-15C-XXX	17.78	19.05	±0.15
830-127-16C-XXX	19.05	20.32	±0.15
830-127-18C-XXX	21.59	22.86	±0.15
830-127-20C-XXX	24.13	25.40	±0.15
830-127-22C-XXX	26.67	27.94	±0.15

Part No.	Dim. A	Dim. B	Tolerance
830-127-24C-XXX	29.21	30.48	±0.15
830-127-25C-XXX	30.48	31.75	±0.15
830-127-26C-XXX	31.75	33.02	±0.15
830-127-30C-XXX	36.83	38.10	±0.15
830-127-34C-XXX	41.91	43.18	±0.20
830-127-36C-XXX	44.45	45.72	±0.20
830-127-40C-XXX	49.53	50.80	±0.20
830-127-44C-XXX	54.61	55.88	±0.20
830-127-50C-XXX	62.23	63.50	±0.20
830-127-60C-XXX	74.93	76.20	±0.20
830-127-64C-XXX	80.01	81.28	±0.20

830-127-XXC-XXX
 Blank 100Feet/Roll
 250: 250Feet/Roll
 500: 500Feet/Roll
 Number Pin
 1.27mm Pitch Type

F				DRAWN:	GENERAL TOLERANCE:	Neltron Industrial Co., Ltd.	
E	16-FEB-2023		LISY	JERRY	.X=±0.20 .XX=±0.15		
D	28-MAR-2022		LISY	CHECKED:	UNIT: MM	DESCRIPTION: FLAT CABLE ASSEMBLY	SIZE
C	27-MAY-2021	新增500FT包裝圖	LISY		SCALE:		
B	19-JAN-2021	新增包裝圖	MEI	APPROVAL:	SHEET: 1/4	PART NO:	
A	27-MAR-2015		JERRY	RORY	PROJECTION:	830-127-XXC-XXX	
REV	DATE	FILE	BY				

1

2

3

4

5

RoHS Compliant

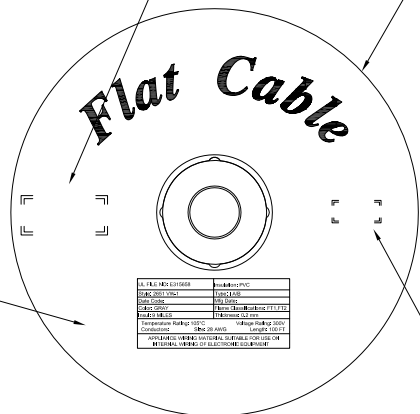
Pin No	Carton Size(MM)	FT/R	R/CTN
4-6	415*415*205	100 FT	36
8-10	415*415*180	100 FT	28
12-16	415*415*180	100 FT	20
18-20	415*415*180	100 FT	16
24-26	415*415*135	100 FT	12
30-40	415*415*135	100 FT	8
44-50	415*415*180	100 FT	8
60-64	430*430*110	100 FT	4



P/N:
Q' TY:
LOT NO:

LABEL:

紙盤=0.4CM For 4P
T=0.3CM
內徑ø7.9CM
外徑ø20.5CM

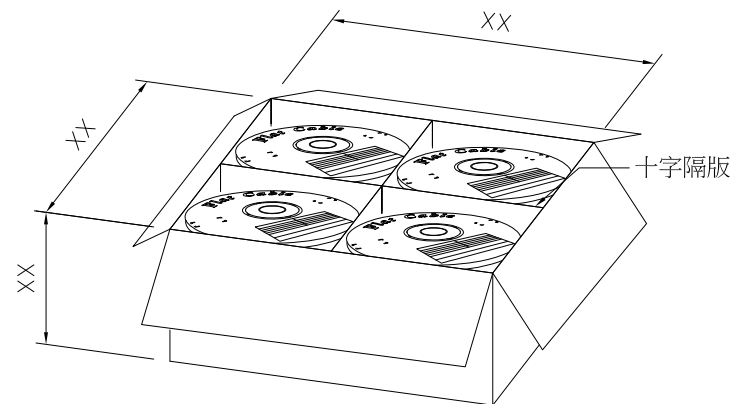
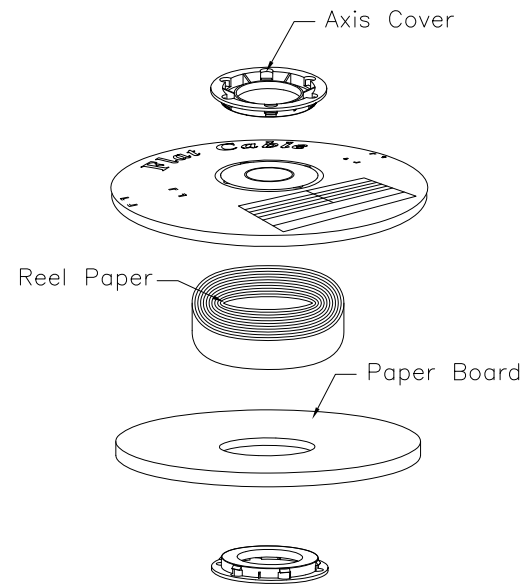


UL LABEL

UL FILE NO: E315658	Insulation: PVC
Style: 2651 VW-1	Type: I A/B
Date Code:	Mfg Date:
Color: GRAY	Flame Classifications: FT1, FT2
Insul: 9 MILES	Thickness: 0.2 mm
Temperature Rating: 105°C	Voltage Rating: 300V
Conductors: Size: 28 AWG	Length: 100 FT
APPLIANCE WIRING MATERIAL SUITABLE FOR USE ON INTERNAL WIRING OF ELECTRONIC EQUIPMENT	

UL FILE NO: E315658	Insulation: PVC
Style: 2651 VW-1	Type: I A/B
Date Code:	Mfg Date:
Color: GRAY	Flame Classifications: FT1, FT2
Insul: 9 MILES	Thickness: 0.2 mm
Temperature Rating: 105°C	Voltage Rating: 300V
Conductors: Size: 28 AWG	Length: 100 FT
APPLIANCE WIRING MATERIAL SUITABLE FOR USE ON INTERNAL WIRING OF ELECTRONIC EQUIPMENT	

示意圖:



F				DRAWN:	GENERAL TOLERANCE:	Neltron Industrial Co., Ltd.	
E	16-FEB-2023		LISY	JERRY	.X=±0.20 .XX=±0.15		
D	28-MAR-2022		LISY	CHECKED:	UNIT: MM	DESCRIPTION:	SIZE
C	27-MAY-2021	新增500FT包裝圖	LISY		SCALE:	FLAT CABLE ASSEMBLY 100FT Packing List	A4
B	19-JAN-2021	新增包裝圖	MEI		SHEET: 2/4	PART NO:	
A	27-MAR-2015	(P001)(P0288)	JERRY	APPROVAL:	PROJECTION:	830-127-XXC-XXX	
REV	DATE	FILE	BY	RORY			

Pin No	Carton Size(MM)	FT/R	R/CTN
4-6	315*315*270	250 FT	12
8-10	315*315*270	250 FT	11
12-16	315*315*230	250 FT	7
18-20	315*315*230	250 FT	6
24-26	315*315*230	250 FT	5
30-34	315*315*230	250 FT	4
37-40	315*315*190	250 FT	3
44-50	315*315*160	250 FT	2
60-64	315*315*190	250 FT	2

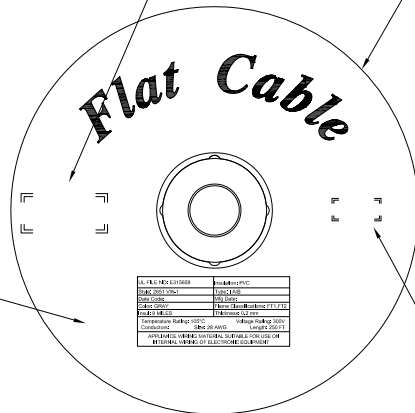


P/N:
Q' TY:
LOT NO:

LABEL:

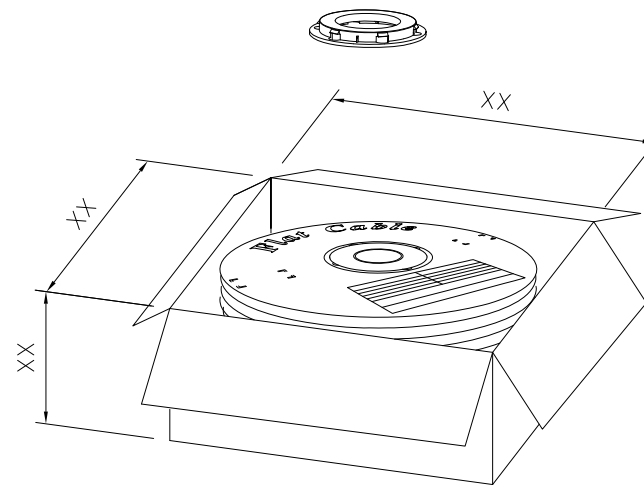
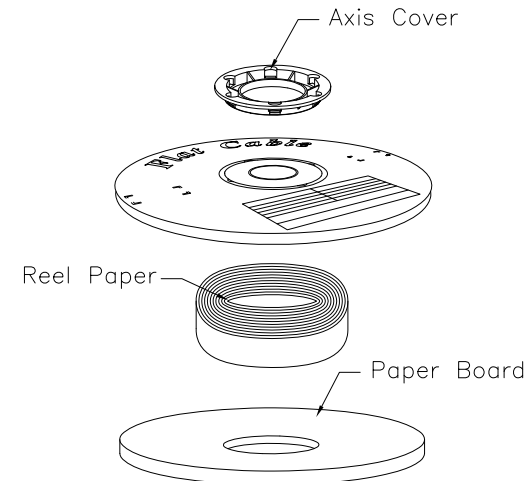
紙盤=0.4CM For 4P
T=0.3CM
內徑ø7.9CM
外徑ø31.0CM

UL FILE NO: E315658	Insulation: PVC
Style: 2651 VW-1	Type: I A/B
Date Code:	Mfg Date:
Color: GRAY	Flame Classifications: FT1,FT2
Insul: 9 MILES	Thickness: 0.2 mm
Temperature Rating: 105°C	Voltage Rating: 300V
Conductors: Size: 28 AWG	Length: 250 FT
APPLIANCE WIRING MATERIAL SUITABLE FOR USE ON INTERNAL WIRING OF ELECTRONIC EQUIPMENT	



UL LABEL

示意圖:



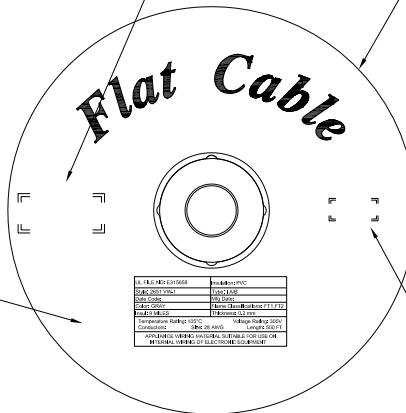
F				DRAWN: JERRY	GENERAL TOLERANCE: .X=±0.20 .XX=±0.15	Neltron Industrial Co., Ltd.	DESCRIPTION: FLAT CABLE ASSEMBLY 250FT Packing List	SIZE A4
E	16-FEB-2023		LISY					
D	28-MAR-2022		LISY	CHECKED:	UNIT: MM	PART NO: 830-127-XXC-XXX		
C	27-MAY-2021	新增500FT包裝圖	LISY		SCALE:			
B	19-JAN-2021	新增包裝圖	MEI	APPROVAL: RORY	SHEET: 3/4	PROJECTION:		
A	27-MAR-2015	(P001)(P0288)	JERRY					
REV	DATE	FILE	BY					

Pin No	Carton Size(MM)	FT/R	R/CTN
4-6	430*430*160	500 FT	7
8-10	430*430*160	500 FT	6
12-14	430*430*160	500 FT	5
15-16	430*430*130	500 FT	4
18-20	430*430*110	500 FT	3
24-34	430*430*110	500 FT	2
37-40	430*430*130	500 FT	2
44-64	430*430*110	500 FT	1

P/N:
Q' TY:
LOT NO:

LABEL:

紙盤=0.4CM For 4P
T=0.3CM
內徑ø7.65CM
外徑ø43.5CM

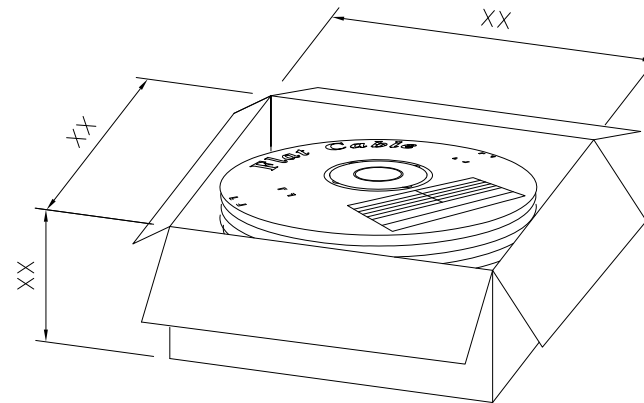
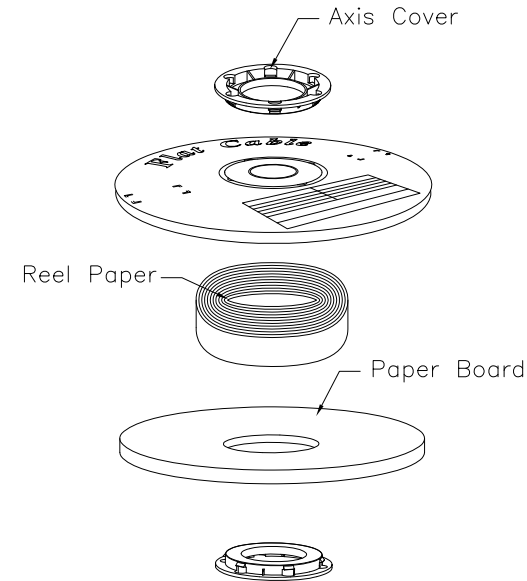


UL LABEL

UL FILE NO: E315658	Insulation: PVC
Style: 2651 VW-1	Type: I A/B
Date Code:	Mfg Date:
Color: GRAY	Flame Classifications: FT1,FT2
Insul: 9 MILES	Thickness: 0.2 mm
Temperature Rating: 105°C	Voltage Rating: 300V
Conductors: Size: 28 AWG	Length: 500 FT
APPLIANCE WIRING MATERIAL SUITABLE FOR USE ON INTERNAL WIRING OF ELECTRONIC EQUIPMENT	

UL FILE NO: E315658	Insulation: PVC
Style: 2651 VW-1	Type: I A/B
Date Code:	Mfg Date:
Color: GRAY	Flame Classifications: FT1,FT2
Insul: 9 MILES	Thickness: 0.2 mm
Temperature Rating: 105°C	Voltage Rating: 300V
Conductors: Size: 28 AWG	Length: 500 FT
APPLIANCE WIRING MATERIAL SUITABLE FOR USE ON INTERNAL WIRING OF ELECTRONIC EQUIPMENT	

示意圖:



F				DRAWN:	GENERAL TOLERANCE:	Neltron Industrial Co., Ltd.	
E	16-FEB-2023		LISY	JERRY	.X=±0.20 .XX=±0.15		
D	28-MAR-2022		LISY	CHECKED:	UNIT: MM	DESCRIPTION: FLAT CABLE ASSEMBLY 500FT Packing List	
C	27-MAY-2021	新增500FT包裝圖	LISY		SCALE:		
B	19-JAN-2021	新增包裝圖	MEI	APPROVAL:	SHEET: 4/4	PART NO: 830-127-XXC-XXX	
A	27-MAR-2015	(P0001)(P0288)	JERRY	RORY	PROJECTION:		
REV	DATE	FILE	BY				