

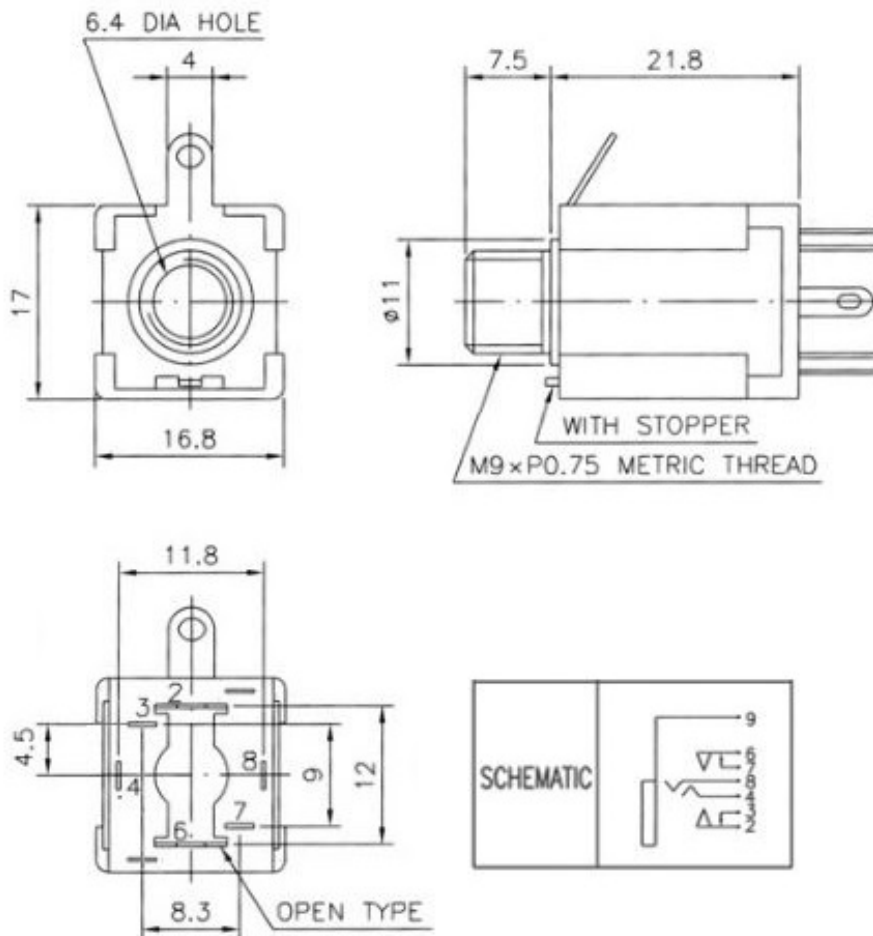


Item No. : K3600C

RoHS : RoHS

Description :

7P 6.35mm stereo phone jack



Specifications

Withstanding voltage: 500VAC for 1 minute

Contact resistance: 30mΩ Max

Insulation resistance: 100MΩ Min at 500VDC