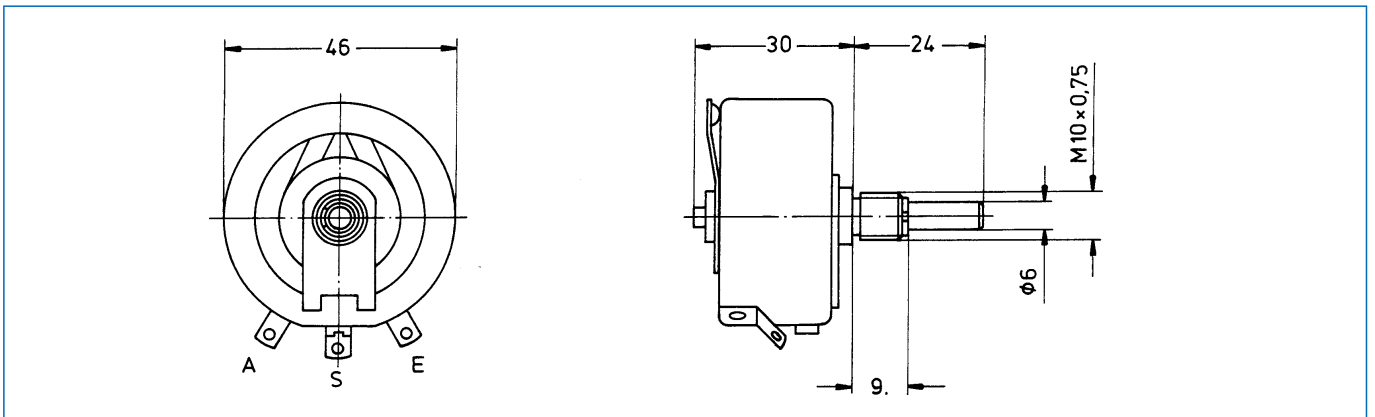


## Series 30 W

Ordering code no.: 31 911 .....

### Type 30 W

Basic design: high load, nominal width 46 mm, solder tag terminals



### Technical data

Rated resistance range:	4,7 $\Omega$ - 4,7 k $\Omega$ *
Resistance tolerance:	$\pm 10\%$ , (5%, 2%)
Law (resistance taper):	lin, lg on request
Rated dissipation:	30 W / 40 °C
Isolation voltage:	2000 V eff
Electrical travel:	270°
Mechanical travel:	287°
Weight:	approx. 70 g / piece

\* higher values on request

Technical details subject to change