



## MICRO PUSH WIRE® connector for junction boxes; 4-conductor terminal block

Item No.: 243-804



MICRO PUSH WIRE® connector for junction boxes; 4-conductor terminal block

### Marking

RoHS ✓  
Compliant

### Business data

Supplier	WAGO
Item no.	243-804
GTIN / EAN	4044918441025
Content	1
Order amount	100
Customer item number	

### Notes

Safety information 1: When using conductors of exclusively the same diameter, 0.5 mm/AWG 24 or 1.0 mm/AWG 18 diameters are also possible.

### Technical data

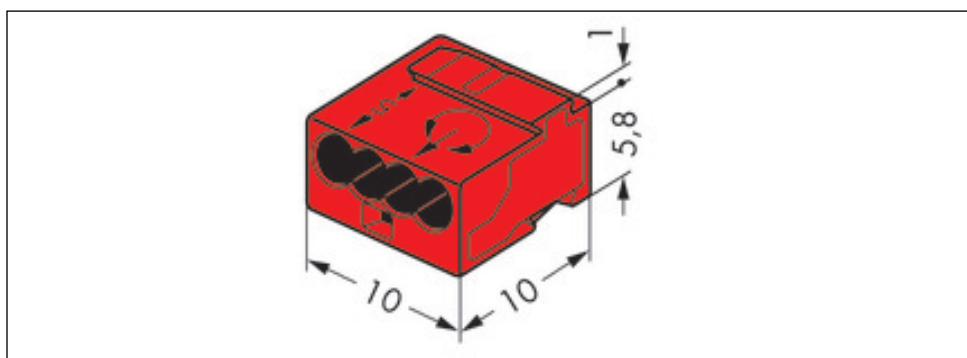
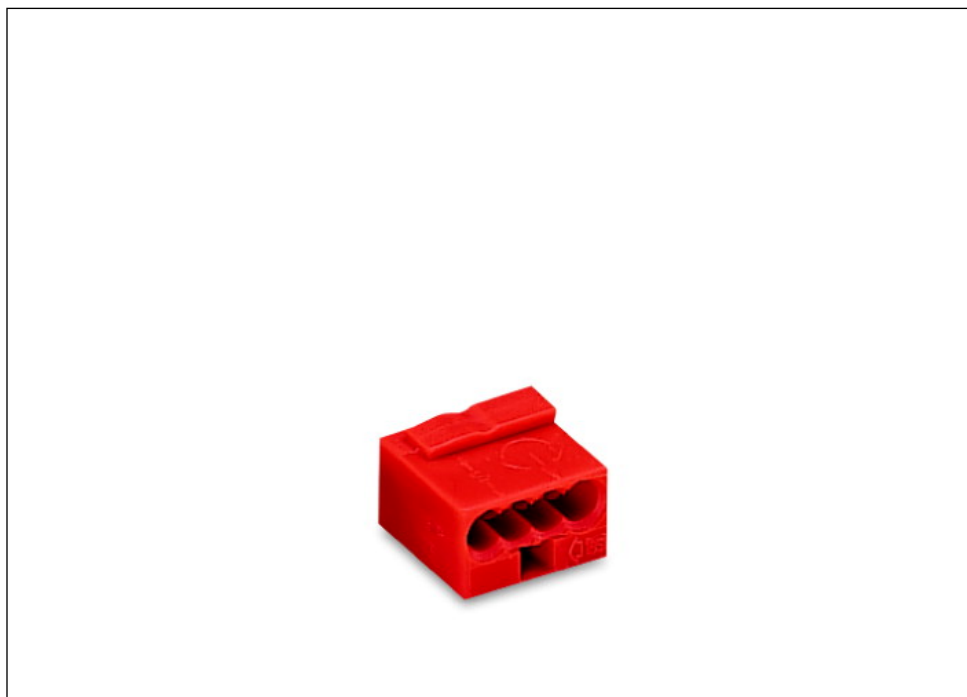
#### Miscellaneous

Total number of connection points	4
Total number of potentials	1
Color	red
Rated voltage (II / 2) [V]	100 [V]

<b>Technical data</b>	
<i>Rated impulse voltage (II / 2) [kV]</i>	<i>1.5 [kV]</i>
<i>Rated current [A]</i>	<i>6 [A]</i>
<i>Connection technology</i>	<i>PUSH WIRE®</i>
<i>Number of connection points connector</i>	<i>4</i>
<i>Actuation type</i>	<i>Push-in</i>
<i>Connectable conductor materials</i>	<i>Copper</i>
<i>Solid conductors, tool-operated termination</i>	<i>22 ... 20 AWG</i>
<i>Strip length</i>	<i>5 ... 6 mm / 0.2 ... 0.24 inch</i>
<i>Type of wiring</i>	<i>Side-entry wiring</i>
<i>Fire load [MJ]</i>	<i>0.012 [MJ]</i>
<i>Weight [g]</i>	<i>0.755 [g]</i>
<i>Width</i>	<i>10 mm / 0.394 in.</i>
<i>Height</i>	<i>6.8 mm / 0.268 in.</i>
<i>Depth</i>	<i>10 mm / 0.394 in.</i>

Images & drawings





#### Address

WAGO Kontakttechnik GmbH & Co. KG

Hansastr. 27

32423 Minden

Telefon: 0571/887-0

Fax: 0571/887-169

<http://www.wago.com>

© WAGO Kontakttechnik GmbH & Co. KG

Technische Änderungen und Irrtümer vorbehalten.