

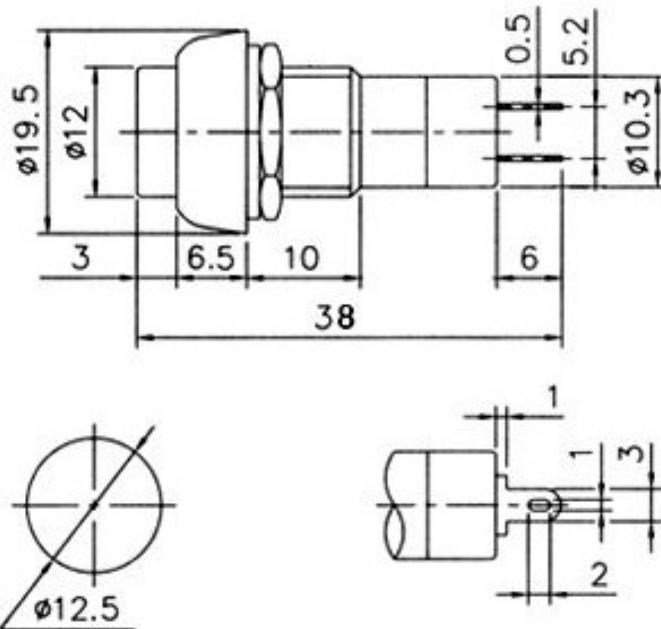


Item No. : B165L

RoHS :  RoHS

Description :

Pushbutton switch  
Open and close type  
125V 3A



Panel Thickness : 5.0mm Max.

### Specifications

Rating: 3A 125VAC

Contact resistance: 50mΩ Max

Insulation resistance: DC 500V 100MΩ Min

Dielectric strength: AC 1000V 1 minute