

CONNECT AND PROTECT

MiniPAC


nvent

SCHROFF

Small Form Factor Cases – minipac

OVERVIEW

MAIN KATALOG

- Cabinets 1
- Wall mounted cases 2
- Accessories for cabinets and wall mounted cases . . 3
- Climate control . . 4
- Electronics cases 5
- Subracks/ 19" chassis 6
- Front panels, plug-in units 7
- Systems 8
- Power supply units 9
- Backplanes 10
- Connectors, front panel component system 11
- Appendix 12



04812001

Small aluminium extrusion cases to hold PCBs

- For applications e.g. in industry, railway technology, test and measurement, communications and network technology

FIXING OPTIONS



04812006



04811015



04812003

VARIOUS DIMENSIONS/COLOURS



04812023



04812024



04812025

INDIVIDUAL SHAPES



04812026



04812027



04812028

Small Form Factor Cases – minipac

OVERVIEW

Overview 5.138

CONVENIENT SMALL CASE - FLEXIBLE ENOUGH FOR ALL YOUR REQUIREMENTS

- To accommodate standardised and non-standardised PCBs
- As desktop enclosure, for bolting (e.g. to a mounting plate) or for mounting on DIN support rail (DIN 43880)
- High level of heat dissipation through large aluminium surface of case
- High stability
- Type of protection: IP 40

Trapeziumshape . . . 5.140

Rectagonal shape . . 5.141



04811014

Trapezium shape

- Accommodates up to 3 PCBs of different heights - 50, 60 or 65 mm and board depth 100 or 160 mm
- As desktop enclosure, for wall mounting or for mounting on DIN support rail (DIN 43880)



04812002

Rectangular shape

- Accommodates up to 4 standardised PCBs in euroboard format, height 100 mm (3 U) or up to 8 non-standardised PCBs, height 60 mm and board depth 160 mm
- Versions as desktop enclosure or for wall mounting

Individual cases in aluminium extrusion - our minipac variety to your specifications

- Other case lengths
- Other case shapes
- Cut-outs for lamps, switches, connectors, cable ducting, etc.
- Individual printing of cover plates
- Surface finish anodised or powder-coated

30407004

Small Form Factor Cases – minipac

TRAPEZIUM SHAPE



- Accommodates 3 non-standardised PCBs (height 50, 60 and 65 mm, depth 100/160 mm)
- PCB thickness 1.6 mm, spacing 15.24 mm (3 HP)
- Different versions
 - Wall mounting
 - For mounting on a DIN support rail (DIN 43880)
 - Desktop version

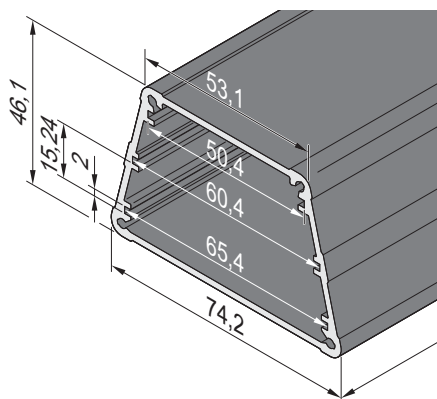
DELIVERY COMPRISES

Item	Qty	Description
1	1	Case, trapeziform, Al extrusion
2	2	Lateral cover plate, 2.5 mm, anodised
3	1	Fixing material kit, user manual

ORDER INFORMATION

Description	Length mm	Part no.
Case, trapeziform, Al extrusion, black anodised; lateral cover plates anodised, thickness 2.5 mm (no mounting option)	100.5	24814-008
Case, trapeziform, Al extrusion, black anodised, lateral cover plates anodised, thickness 2.5 mm (for wall mounting on long side of trapezoid)	100.5	24814-010
Case, trapeziform, Al extrusion, anodised; lateral cover plates anodised, thickness 2.5 mm (for wall mounting on short side of trapezium)	100.5	24814-011
Case, trapeziform, Al extrusion, black anodised; for DIN support rail mounting (DIN 43880); lateral cover plates anodised, thickness 2.5 mm (for mounting on a DIN support rail, DIN 43880)	160.5	24814-014

04812004



Dimensions of body tube

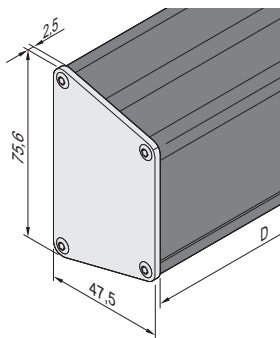
04811053

Accessories

Rubber foot for desktop version, PU 4 pieces	21102-025
--	-----------

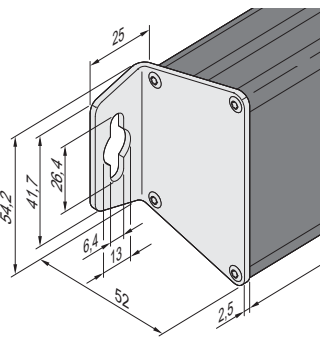
NOTE

- **On request:**
 - Other case lengths
 - Cut-outs for LEDs, switches, connectors or couplings (USB, SUB-D)
 - Individual printing on cover plate

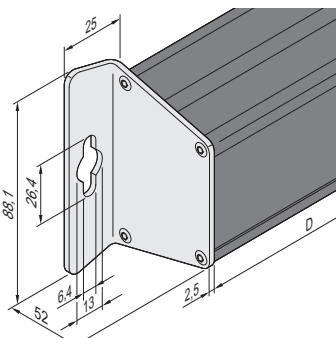


Desktop version

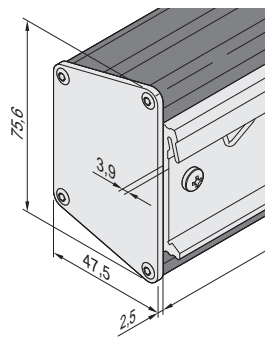
04812053


 Wall mounting
(on short side of trapezoid)

04812052


 Wall mounting
(on long side of trapezoid)

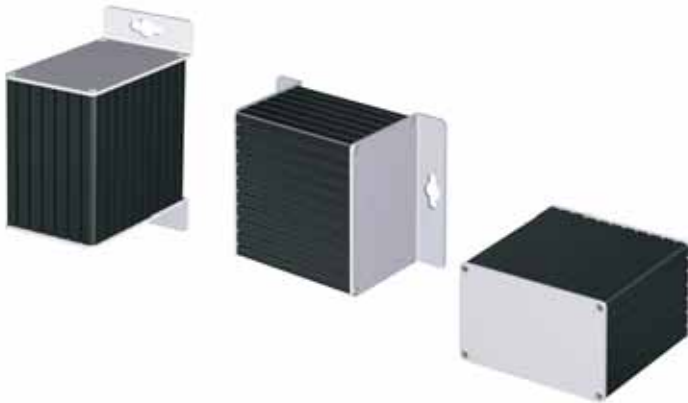
04812051


 For mounting on a DIN support rail
(DIN 43880)

04812057

Small Form Factor Cases – minipac

RECTANGULAR SHAPE



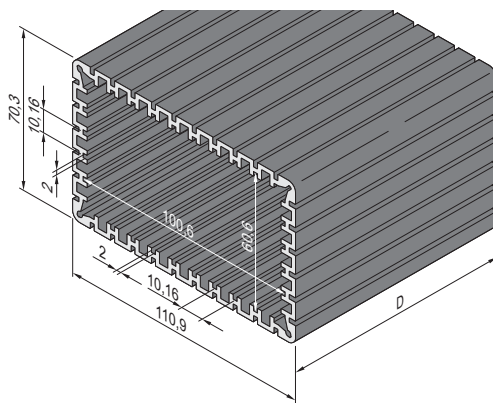
- Accommodates 4 standardised PCBs (height 100 mm, depth 160 mm) or rotated by 90° to accommodate 8 non-standardised PCBs (height 60 mm, depth 160 mm)
- PCB thickness 1.6 mm, spacing 15.24 mm (2 HP)
- Different versions
 - Wall mounting
 - Desktop version

DELIVERY COMPRISES

Item	Qty	Description
1	1	Case, rectangular, Al extrusion
2	2	Lateral cover plate, 2.5 mm, anodised
3	1	Fixing material kit, user manual

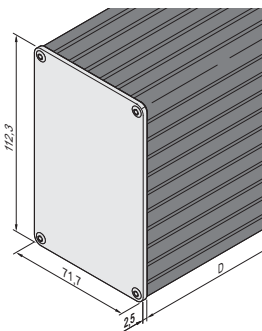
ORDER INFORMATION

Description	Length mm	Part no.
Case, rectangular, Al extrusion, black anodised; lateral cover plates anodised, thickness 2.5 mm (desktop version)	160.5	24814-024
Case, rectangular, Al extrusion, anodised; lateral cover plates anodised, thickness 2.5 mm (for wall mounting on long side)	160.5	24814-025
Case, rectangular, Al extrusion, anodised; lateral cover plates anodised, thickness 2.5 mm (for wall mounting on short side)	160.5	24814-027
Accessories		
Rubber foot for desktop version, PU 4 pieces		21102-025



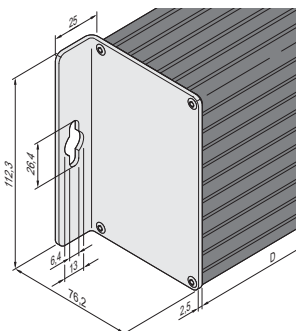
04812002

Dimensions of body tube



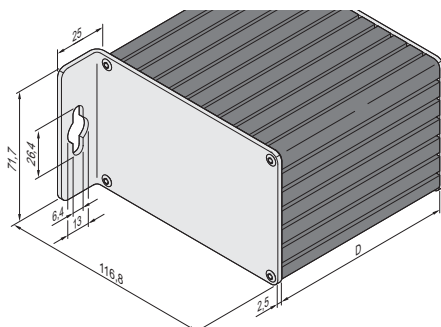
04812056

Desktop version



04812055

Wall mounting (on long side of rectangle)



04812054

Wall mounting (on short side of rectangle)

NOTE

- **On request:**
 - Other case lengths
 - Cut-outs for LEDs, switches, connectors or couplings (USB, SUB-D)
 - Individual printing on cover plate

North America

Warwick, RI, USA

Tel +1.800.525.4682

San Diego, CA, USA

Tel +1.800.854.7086

Europe, Middle East & India

Straubenhardt, Germany

Tel +49 7082 794 0

Betschdorf, France

Tel +33 3 88 90 64 90

Warsaw, Poland

Tel +48 22 209 98 35

Hemel Hempstead,

Great Britain

Tel +44 1442 24 04 71

Lainate, Italy

Tel +39 02 932 714 1

Dubai, United Arab Emirates

Tel +971 4 37 81 700

Bangalore, India

Tel +91 80 67152000

Istanbul, Turkey

Tel +90 216 250 7374

Asia Pacific

Shanghai, China

Tel +86 21 2412 6943

Singapore

Tel +65 6768 5800

Shin-Yokohama, Japan

Tel +81 45 476 0271

Our powerful portfolio of brands:

CADDY ERICO HOFFMAN RAYCHEM SCHROFF TRACER



[nVent.com/SCHROFF](https://www.nVent.com/SCHROFF)