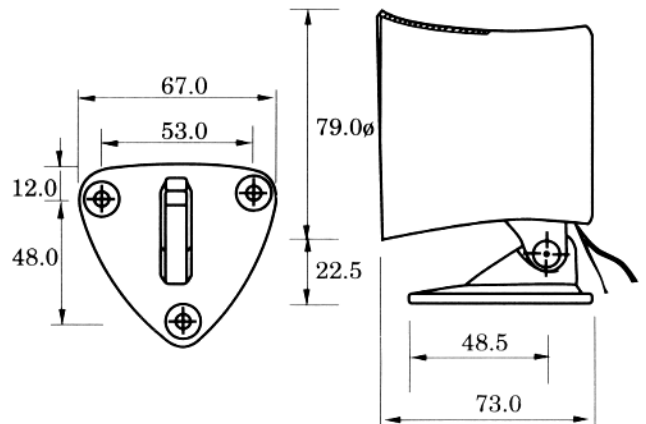


## FEATURES:

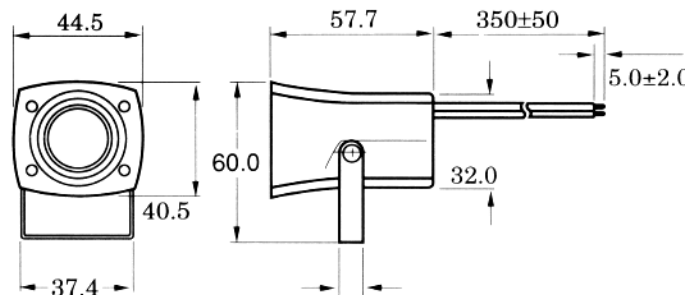
- ▲ HIGH SOUND OUTPUT PIEZO CERAMIC GENERATOR
- ▲ LOW CURRENT DRAIN COMPARED WITH CONVENTIONAL SIREN WITH MAGNET SPEAKER GENERATOR

Model No	SEP-8100
Operating Frequency (Hz)	1,500~3,500
Operating Voltage (VDC)	6~12
Sound Pressure Level at 100cm/12VDC (dB min)	105
Current Consumption at 12VDC (mA max)	400
Tone	Siren
Operating Temperature (°C)	-20°~60°
Storage Temperature (°C)	-30°~70°
Weight (Gram)	210.0



Sweep Rate at 12VDC :  $3.3 \pm 20\%$  Hz

Model No	SEP-8200
Operating Frequency (Hz)	1,500~3,500
Operating Voltage (VDC)	7~15
Sound Pressure Level at 100cm/12VDC (dB min)	90
Current Consumption at 12VDC (mA max)	200
Tone	Siren
Operating Temperature (°C)	-20°~60°
Storage Temperature (°C)	-30°~70°
Weight (Gram)	75.0



Sweep Rate at 12VDC :  $4.5 \pm 20\%$  Hz