

Printview: Male header (for PCBs); Angled solder pin 0.8 x 0.8 mm; 3-pole; Pin spacing 2.5 mm / 0.098 in; 100% protected against mismatching; Horizontal PCB mounting; with closed end - Item No.: 733-363



**Male header (for PCBs); Angled solder pin 0.8 x 0.8 mm; 3-pole;
Pin spacing 2.5 mm / 0.098 in; 100% protected against mismatching;
Horizontal PCB mounting; with closed end**

Item No.: 733-363



Male header (for PCBs); Angled solder pin 0.8 x 0.8 mm; 3-pole; Pin spacing 2.5 mm / 0.098 in; 100% protected against mismatching; Horizontal PCB mounting; with closed end

Marking

RoHS ✓
Compliant

Business data

<i>Supplier</i>	WAGO
<i>Item no.</i>	733-363
<i>GTIN / EAN</i>	4044918974349
<i>Content</i>	1
<i>Order amount</i>	200
<i>Customer item number</i>	

Notes

Item description: 100% protected against mismatching; only mating halves with the same pole number can be connected together Coding option available

Technical data

Miscellaneous

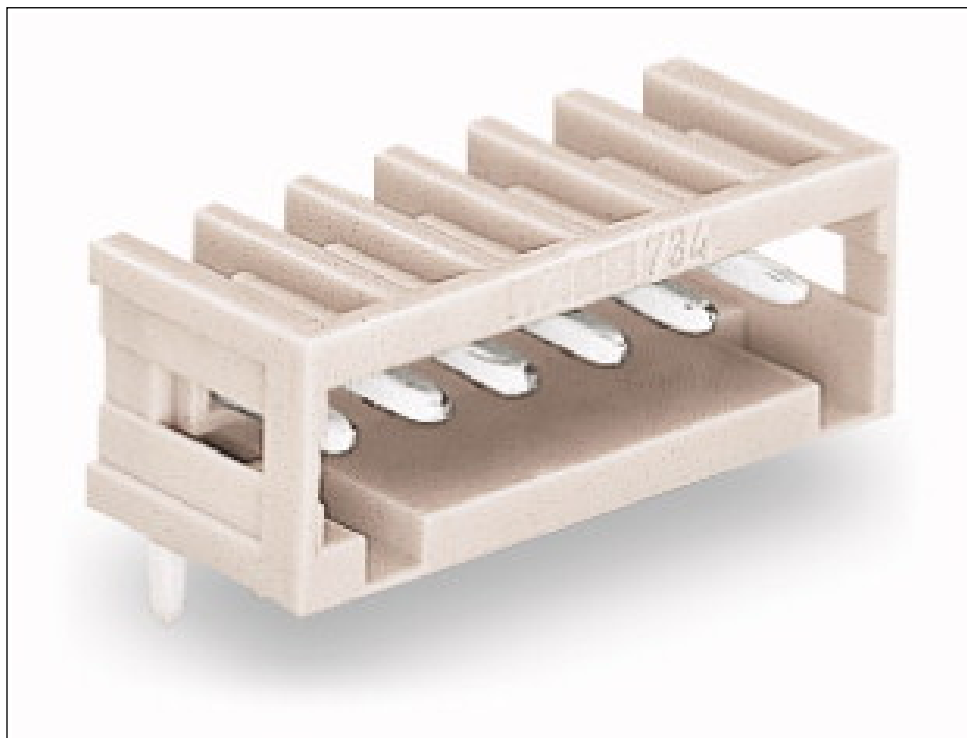
<i>No. of poles</i>	3
<i>Pin spacing</i>	2.5 mm (0.098 in)
<i>Color</i>	light gray

Printview: Male header (for PCBs); Angled solder pin 0.8 x 0.8 mm; 3-pole; Pin spacing 2.5 mm / 0.098 in; 100% protected against mismatching; Horizontal PCB mounting; with closed end - Item No.: 733-363

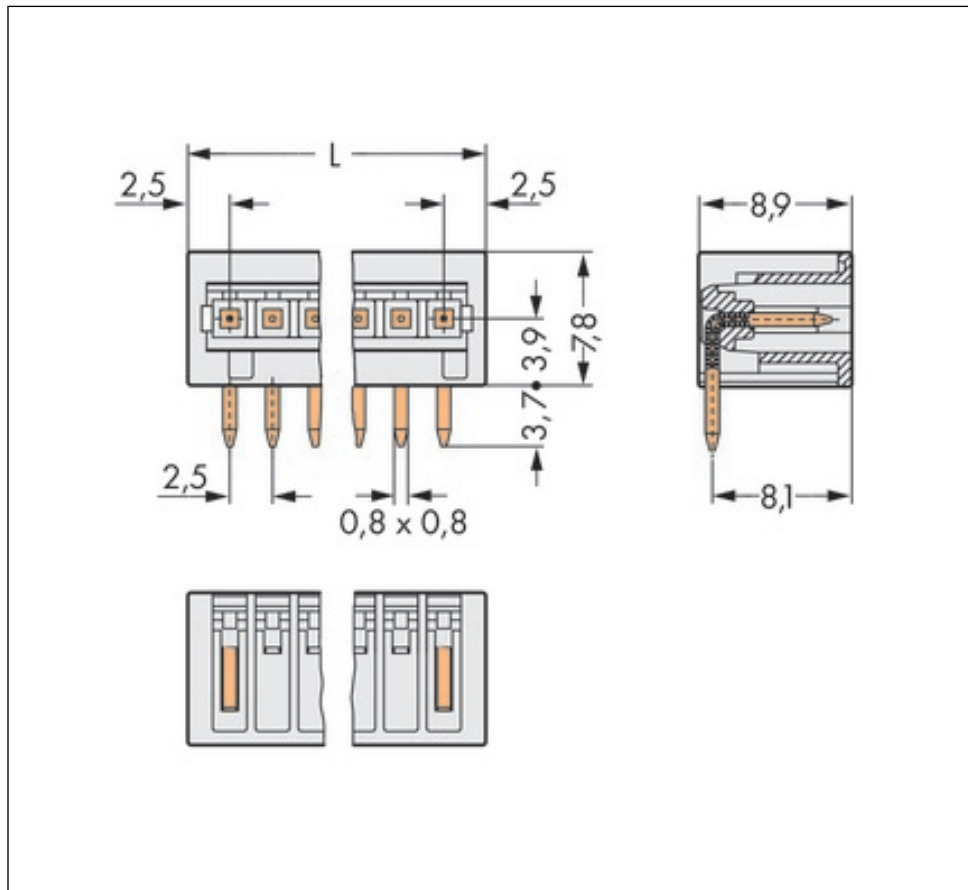
Technical data	
<i>Ratings per</i>	<i>IEC/EN 60664-1</i>
<i>Rated voltage (III / 3) [V]</i>	<i>80 [V]</i>
<i>Rated impulse voltage (III / 3) [kV]</i>	<i>2.5 [kV]</i>
<i>Rated voltage (III/2) [V]</i>	<i>160 [V]</i>
<i>Rated impulse voltage (III / 2) [kV]</i>	<i>2.5 [kV]</i>
<i>Rated voltage (II / 2) [V]</i>	<i>320 [V]</i>
<i>Rated impulse voltage (II / 2) [kV]</i>	<i>2.5 [kV]</i>
<i>Rated current [A]</i>	<i>6 [A]</i>
<i>Number of levels</i>	<i>1</i>
<i>Solder pin length [mm]</i>	<i>3.7 [mm]</i>
<i>Drilled hole diameter (tolerance) [mm]</i>	<i>1.1(+ 0.1) [mm]</i>
<i>Drilled hole diameter [mm] [mm]</i>	<i>1.1 [mm]</i>
<i>Tolerance of drilled hole diameter plus [mm] [mm]</i>	<i>+0.1 [mm]</i>
<i>Material group</i>	<i>I</i>
<i>Insulating material</i>	<i>Polyamide 66 (PA 66)</i>
<i>Flammability class per UL94</i>	<i>V0</i>
<i>Limit temperature range</i>	<i>-60 ... 100 C</i>
<i>Contact material</i>	<i>Electrolytic copper (Ecu)</i>
<i>Contact plating</i>	<i>tin-plated</i>
<i>Fire load [MJ]</i>	<i>0.009 [MJ]</i>
<i>Weight [g]</i>	<i>0.538 [g]</i>
<i>Width</i>	<i>10 mm / 0.394 in.</i>
<i>Height</i>	<i>11.5 mm / 0.453 in.</i>
<i>Height from the surface</i>	<i>7.8 mm / 0.307 in.</i>
<i>Depth</i>	<i>8.9 mm / 0.35 in.</i>

Printview: Male header (for PCBs); Angled solder pin 0.8 x 0.8 mm; 3-pole; Pin spacing 2.5 mm / 0.098 in; 100% protected against mismatching; Horizontal PCB mounting; with closed end - Item No.: 733-363

Images & drawings



Printview: Male header (for PCBs); Angled solder pin 0.8 x 0.8 mm; 3-pole; Pin spacing 2.5 mm / 0.098 in;
100% protected against mismatching; Horizontal PCB mounting; with closed end - Item No.: 733-363



Address

WAGO Kontakttechnik GmbH & Co. KG

Hansastr. 27

32423 Minden

Telefon: 0571/887-0

Fax: 0571/887-169

<http://www.wago.com>

© WAGO Kontakttechnik GmbH & Co. KG

Technische Änderungen und Irrtümer vorbehalten.