

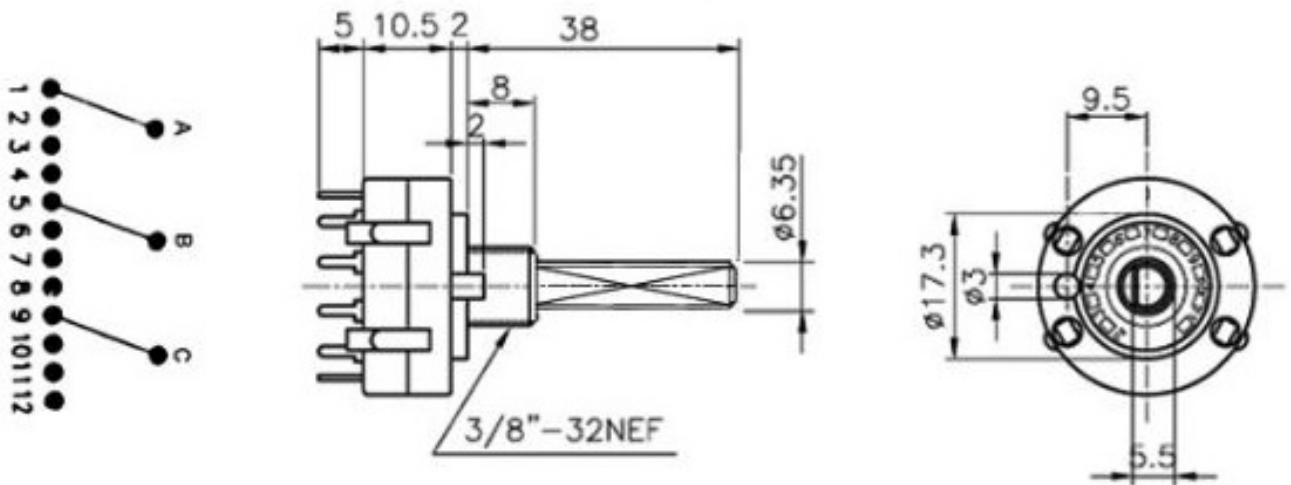


Item No. : B17415

RoHS : RoHS

Description :

Rotary switch 3P-4positions
 PCB terminal (shorting contacts)
 250V 150mA



Specifications

Rating	0.3A 125VAC 0.15A 250VAC
Contact resistance	50 mΩ Max.
Insulation resistance	DC 500V-100MΩ Min.
Withstand voltage	AC 500V-1 minute
Rotation torque	0.5±0.2Kg-cm