



PCB terminal block; 2.5 mm²; Pin spacing 7.5/7.62 mm; 12-pole; CAGE CLAMP®; commoning option

Item No.: 236-512



PCB terminal block; 2.5 mm²; Pin spacing 7.5/7.62 mm; 12-pole; CAGE CLAMP®; commoning option

Marking

RoHS ✓
Compliant

Business data

Supplier	WAGO
Item no.	236-512
GTIN / EAN	4044918772747
Content	1
Order amount	10
Customer item number	

Notes

Item description: Terminal strips with CAGE CLAMP® connection, screwdriver actuation parallel or perpendicular to conductor entry Also available with Ex e approval Operating tools for factory wiring 45° connection angle permits a wide range of uses and wiring options Set to metric or inch pin spacing by compressing terminal strips together or pulling them apart

Technical data

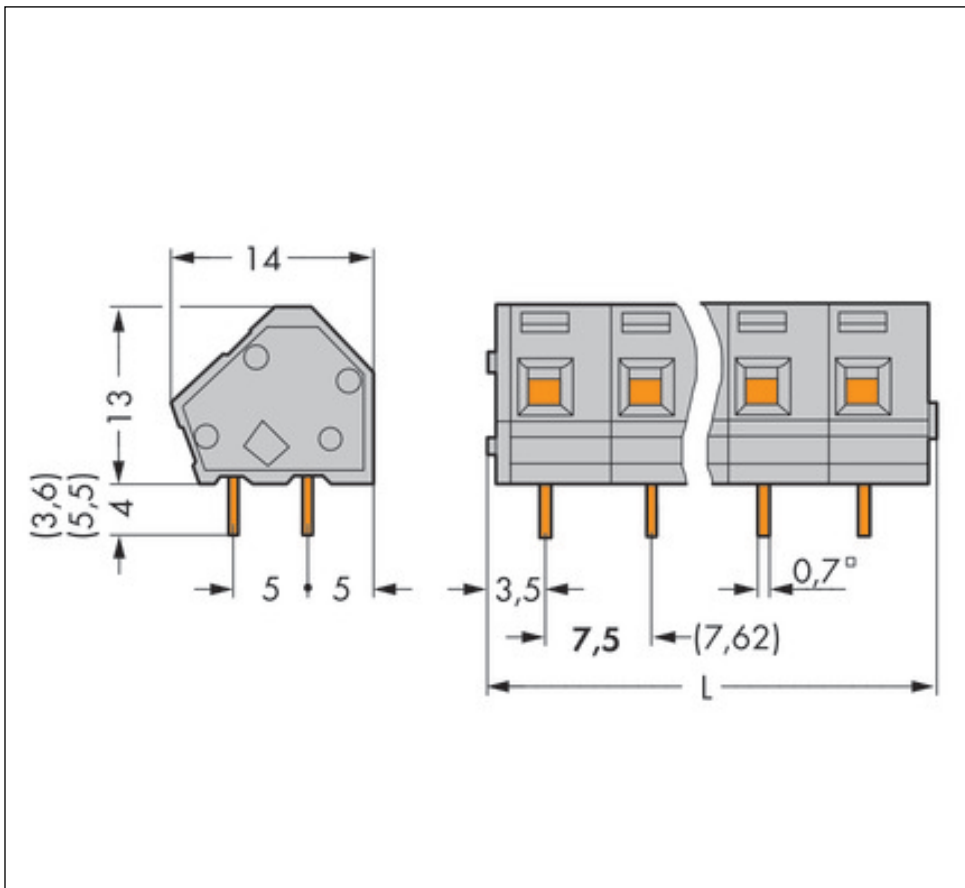
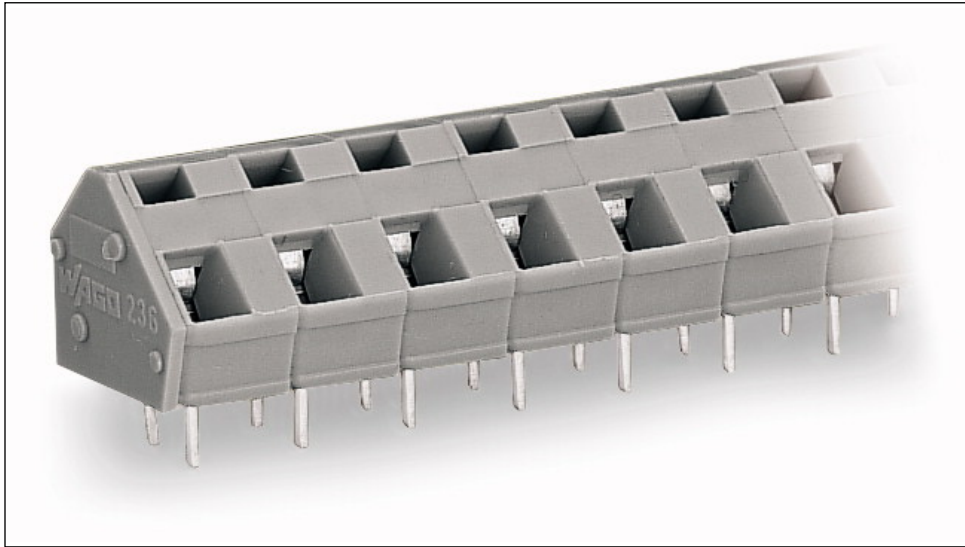
Miscellaneous

No. of poles	12
Pin spacing	7.5/7.62 mm / 0.295/0.3 in

Technical data	
Total number of connection points	12
Total number of potentials	12
Color	gray
Ratings per	IEC/EN 60664-1
Rated voltage (III / 3) [V]	400 [V]
Rated impulse voltage (III / 3) [kV]	6 [kV]
Rated voltage (III/2) [V]	630 [V]
Rated impulse voltage (III / 2) [kV]	6 [kV]
Rated voltage (II / 2) [V]	1000 [V]
Rated impulse voltage (II / 2) [kV]	6 [kV]
Rated current [A]	24 [A]
Number of connection objects	1
Number of levels	1
Connection technology	CAGE CLAMP®
Number of connection points connector	1
Actuation type	Operating tool
Solid conductors, tool-operated termination	0.08 ... 2.5 mm ² / 28 ... 12 AWG
Fine-stranded conductors, tool-operated termination	0.08 ... 2.5 mm ² / 28 ... 12 AWG
Fine-stranded conductors with insulated ferrule	0.25 ... 1.5 mm ² / ...
Fine-stranded conductors with uninsulated ferrule	0.25 ... 1.5 mm ² / ...
Strip length	5 ... 6 mm / 0.2 ... 0.24 inch
Conductor entry angle to the PCB [°]	45 [°]
Cross section up to (1) [mm ²]	2.5 [mm ²]
Cross section from (1) [AWG]	28 [AWG]
Cross section from (2) [mm ²]	0.08 [mm ²]
Cross section up to (2) [mm ²]	2.5 [mm ²]
Solder pin arrangement	in line
Solder pin length [mm]	4 [mm]
Drilled hole diameter (tolerance) [mm]	1.1(+ 0.1) [mm]
Drilled hole diameter [mm] [mm]	1.1 [mm]
Tolerance of drilled hole diameter plus [mm] [mm]	+0.1 [mm]
Material group	I
Insulating material	Polyamide 66 (PA 66)
Flammability class per UL94	V0

Technical data	
<i>Limit temperature range</i>	<i>-60 ... 105 C</i>
<i>Clamping spring material</i>	<i>Chrome-nickel spring steel (CrNi)</i>
<i>Contact material</i>	<i>Electrolytic copper (Ecu)</i>
<i>Contact plating</i>	<i>tin-plated</i>
<i>Fire load [MJ]</i>	<i>0.232 [MJ]</i>
<i>Weight [g]</i>	<i>13.24 [g]</i>
<i>Width</i>	<i>92.3 mm / 3.634 in.</i>
<i>Height</i>	<i>17 mm / 0.669 in.</i>
<i>Height from the surface</i>	<i>13 mm / 0.512 in.</i>
<i>Depth</i>	<i>14 mm / 0.551 in.</i>
<i>Pin spacing up to [in]</i>	<i>0.3 [in]</i>

Images & drawings



Address

WAGO Kontakttechnik GmbH & Co. KG

Hansastr. 27

32423 Minden

Telefon: 0571/887-0

Fax: 0571/887-169

<http://www.wago.com>

© WAGO Kontakttechnik GmbH & Co. KG

Technische Änderungen und Irrtümer vorbehalten.