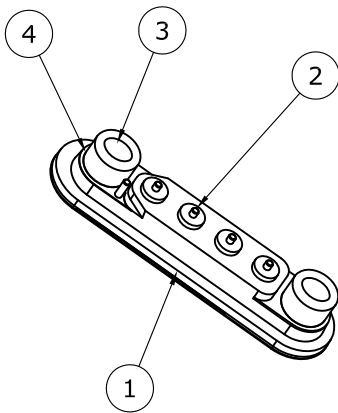
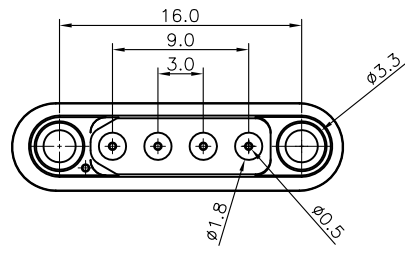
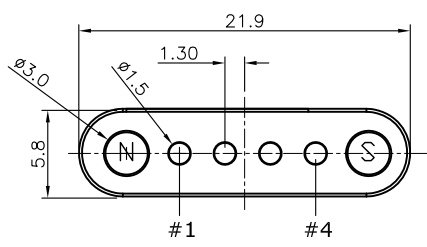
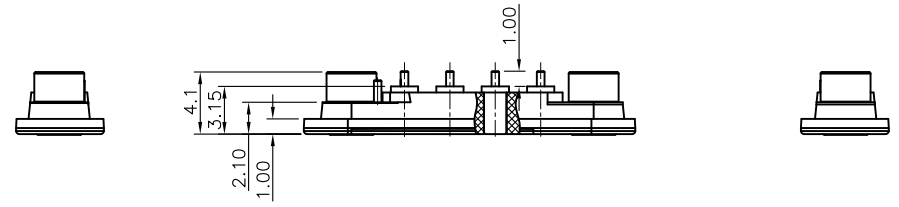


REV.	DESCRIPTION	DRAWN	DATE
1	INITIAL RELEASE	FROS	2021/12/06
1.1	Corrected center line	FROS	2022/08/03



SPECIFICATION:

1. ELECTRICAL
 - 1.1 Current Rating: 1A per pin
 - 1.2 Voltage Rating: 12VDC
 - 1.3 Contact Resistance: 30mΩ
 - 1.4 Insulation Resistance: 500MΩ
 - 1.5 Dielectric Withstanding Voltage: 500VAC
2. MECHANICAL
 - 2.1 Durability: 20,000 Cycle
 - 2.2 Pin Strength: 9.8N min.
3. ENVIRONMENTAL
 - 3.1 Operating temperature range: -30°C~+60°C



4	GLUE	LTE-120HP		
3	MAGNET	N48 NdFeB, Ni-Cu-Ni plating		
2	MACHINE PIN	Brass, 20u" gold plating		
1	HOUSING	HTN, UL94V-0, Black		
NO.	PART NAME	DESCRIPTION		
UNLESS OTHERWISE SPECIFIED TOLERANCE				
UNIT:	DECIMAL	LINEAR	ANGLES	
mm	X.	±0.50	±5°	
	X.X	±0.25	±3°	
	X.XX	±0.12	±1°	
www.attend.com.tw				
DRAWN	Fros	2021/12/06	DRAWN NAME:	
CHECKED	Tim	2021/12/06	Pogo Machine Pin, Magnet Type, 4P H=4.15mm, Pitch 3.0, DIP, 20u", black	
APPROVED	Ken	2021/12/06	PRODUCT NO. 303C-C4115-30-04	
	SCALE 1/1	SHEET 1/1	SIZE A4	FILE NAME 303C-C4115-30-04_B_1.1

