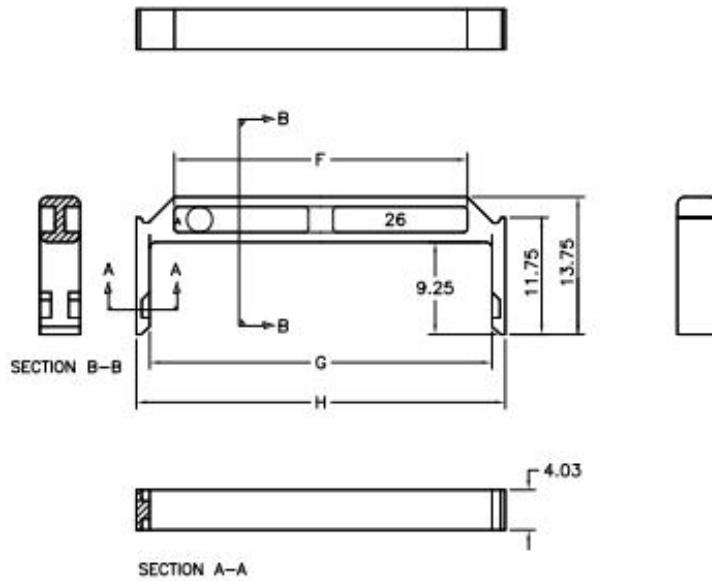


FEMALE HEADER, STRAIN RELIEF



No. of Contacts	F	G	H
10	9.50	14.50	14.20
14	14.60	19.60	22.30
16	17.15	22.15	24.82
20	22.15	27.20	29.90
26	29.85	34.85	37.55
34	40.00	45.00	47.68
40	47.60	52.60	55.30
50	60.30	65.30	68.00
60	73.00	78.00	80.70

Specifications

Material

Plastic

PBT, glass reinforced, UL94V-0

Electrical

Operating Temperature:

-40°C to +105°C

SPFHxx-SR

No. of contacts