



Item No. : B163B

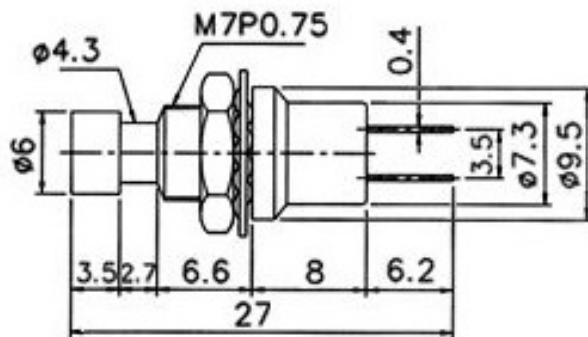
RoHS : RoHS

Description :

Mini pushbutton switch

Close type

125V 1A



Panel Thickness : 2.5mm Max.

Specifications

Rating: 1A 125VAC

Contact resistance: 20mΩ Max

Insulation resistance: DC 500V 100MΩ Min

Dielectric strength: AC 1000 1 minute