

Adapter

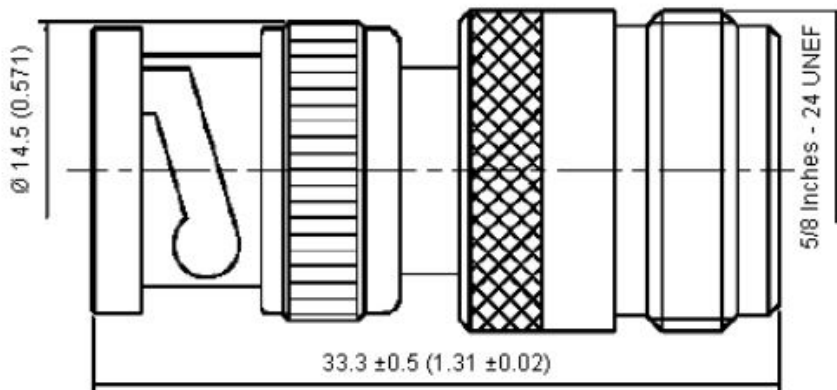
BNC Plug-N Jack



Specifications:



Bodies : Brass per JIS-C3604
 Centre Contact : Brass per JIS-C3604
 Connector interface per MIL-STD-348A
 Part to be clean and free of burrs



Dimensions : Millimetres (Inches)

Specification Table

Number	Description	Material	Finish	Part Number
1	Shell	Zinc	Nickel 100 μ Inches Minimum	13-43
2	Insulation	POM	None	
3	Gasket	Rubber		
4	Washer	Brass	Nickel 100 μ Inches Minimum	
5	Spring Washer	SK-5		
6	Washer	Brass		
7	Centre Contact		Nickel 100 μ Inches Minimum	
8	Body	POM	None	
9	Insulation		Nickel 100 μ Inches Minimum	
10	Chassis	Brass	Nickel 100 μ Inches Minimum	