



4-channel analog input; For Pt100/RTD resistance sensors

Item No.: 750-460



4-channel analog input; For Pt100/RTD resistance sensors

Marking

RoHS ✓
Compliant

Business data

| | |
|----------------------|---------------|
| Supplier | WAGO |
| Item no. | 750-460 |
| GTIN / EAN | 4045454848927 |
| Content | 1 |
| Order amount | 1 |
| Customer item number | |

Notes

Item description: The input module directly connects to Pt resistance sensors. Only 2-conductor sensors can be connected. The module automatically linearizes the entire temperature range. A sensor error is indicated by a red LED. Sensor types: Pt 100 (basic variation), optional variations available for Pt 1000 and Ni 1000

Technical data

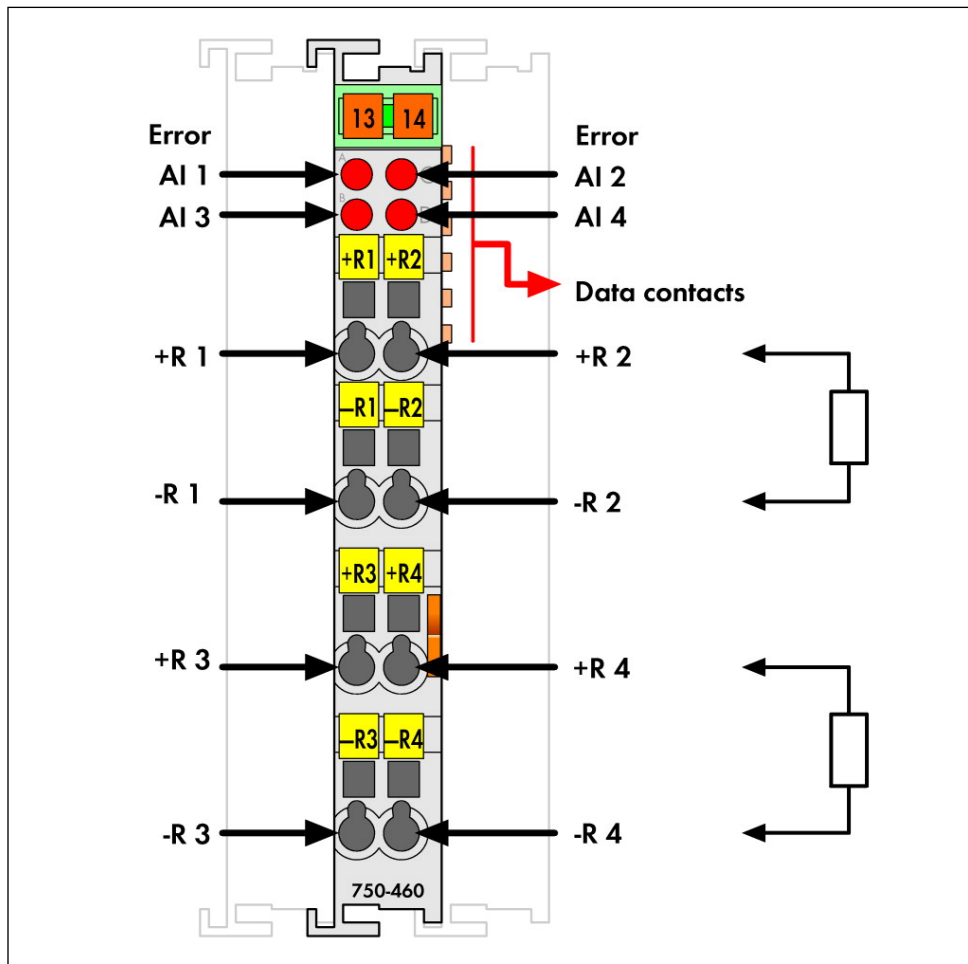
Miscellaneous

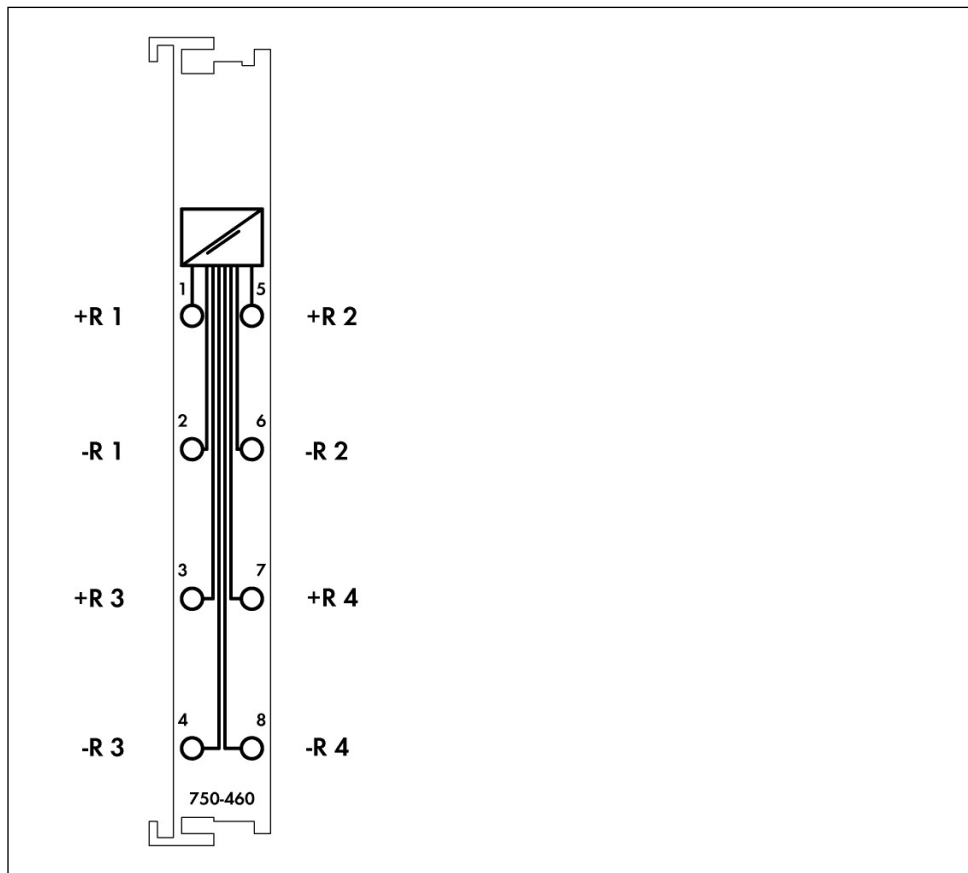
| | |
|--------------------|--------------------------|
| Color | light gray |
| Conformity marking | CE |
| Number of inputs | 4 |
| Power supply | via system voltage DC/DC |

| Technical data | |
|--|--|
| <i>Isolation</i> | 400 V system/supply |
| <i>Max. current consumption (internal) [mA]</i> | 65 [mA] |
| <i>Measuring current (typ.)</i> | 0.5 mA |
| <i>Sensor connection</i> | 2-wire connection |
| <i>Temperature range</i> | -200 °C ... + 850 °C (Pt) -60 °C ... +250 °C (Ni) |
| <i>Resolution (over entire range)</i> | 0.1 °C |
| <i>Conversion time</i> | 250 ms |
| <i>Measuring error (25 °C)</i> | < ± 0.2 % of the full scale value |
| <i>Temperature coefficient</i> | < ± 0.01 % / K of full scale value |
| <i>Bit width</i> | 4 x 16-bit data; 4 x 8-bit control/status (optional) |
| <i>Type of signal</i> | Pt100 |
| <i>Degree of protection</i> | IP20 |
| <i>Connection technology</i> | CAGE CLAMP® |
| <i>Solid conductor</i> | 0.08 ... 2.5 mm ² / 28 ... 14 AWG |
| <i>Fine-stranded conductor</i> | 0.08 ... 2.5 mm ² / 28 ... 14 AWG |
| <i>Strip length</i> | 8 ... 9 mm / 0.31 ... 0.35 Inch |
| <i>Weight [g]</i> | 51.8 [g] |
| <i>Width</i> | 12 mm / 0.472 Inch |
| <i>Height</i> | 69.8 mm / 2.748 Inch |
| <i>Height from upper-edge of DIN-35 rail</i> | 62.6 mm / 2.465 Inch |
| <i>Depth</i> | 100 mm / 3.937 Inch |
| <i>Storage temperature</i> | -25 °C ... +85 °C |
| <i>Relative air humidity (no condensation) [%]</i> | 95 [%] |
| <i>Type of mounting</i> | DIN-35 x 15 carrier rail |
| <i>Operating temperature</i> | 0°C ... +55°C |
| <i>EMC emission of interference</i> | acc. to EN 61000-6-4 |
| <i>EMC immunity to interference</i> | acc. to EN 61000-6-2 |
| <i>Shock resistance</i> | acc. to IEC acc. to IEC 60068-2-27 |
| <i>Vibration resistance</i> | acc. to IEC acc. to IEC 60068-2-6 |

Images & drawings







Address

WAGO Kontakttechnik GmbH & Co. KG

Hansastr. 27

32423 Minden

Telefon: 0571/887-0

Fax: 0571/887-169

<http://www.wago.com>

© WAGO Kontakttechnik GmbH & Co. KG

Technische Änderungen und Irrtümer vorbehalten.