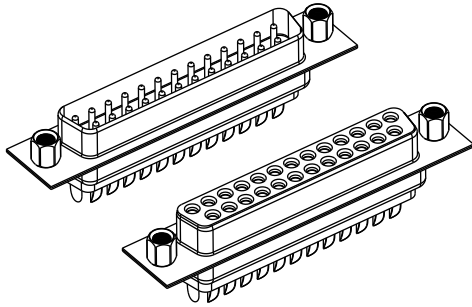


Standard White Color

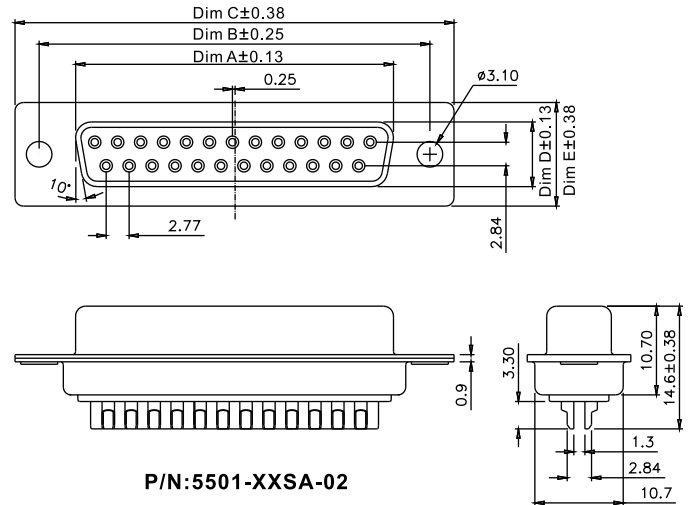
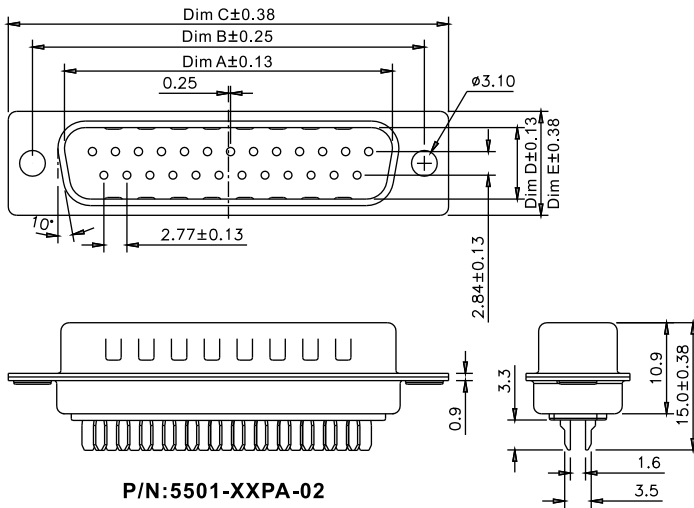


■ **Specifications**

Current rating:3.0A AC/DC  
Voltage rating:250V AC/DC  
Contact resistance:30m ohm. max.  
Insulation resistance:5000M ohm. Min.  
Withstanding voltage:1000V AC for one minute  
Operating temperature range:-40°C to +85°C

■ **Material and Finish**

Insulator:High Temp. Plastic(UL94V-0)  
Contact:Copper Alloy Nickel Undercoated,  
Selective Gold Plated  
Finish:Metal Iron With Tin Plated



■ **Engineering Dimension**

P/N:5501-XXPA-02

Circuits	Dim. A	Dim. B	Dim.C	Dim. D	Dim. E
9	16.92	24.99	30.81	8.38	12.50
15	25.25	33.32	39.14	8.38	12.50
25	38.96	47.04	53.04	8.38	12.50
37	55.42	63.50	69.32	8.38	12.50
50	82.81	81.11	66.93	11.07	15.37

P/N:5501-XXSA-02

Circuits	Dim. A	Dim. B	Dim.C	Dim. D	Dim. E
9	16.33	24.99	30.81	7.90	12.50
15	24.66	33.32	39.14	7.90	12.50
25	38.38	47.04	53.04	7.90	12.50
37	54.84	63.50	69.32	7.90	12.50
50	82.43	81.11	66.93	10.74	15.37

■ **Ordering Information**

**5501-XXPA-02-XX-XX**

① ② ③ ④ ⑤

① No. Of Contacts	③ Selective Gold Plated	⑤ Blank White Color BK:Black Color BU:Blue Color
② PA:Male SA:Female	④ Blank Standard Type CC:Front Rivet CS:Rear Rivet	

■ **D-SUB Mounting style options**

