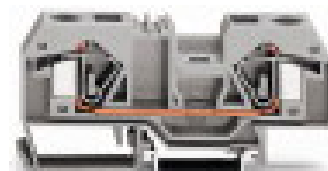




## 2-conductor through terminal block

Item No.: 283-901



2-conductor through terminal block

### Marking

RoHS ✓  
Compliant

### Business data

Supplier	WAGO
Item no.	283-901
GTIN / EAN	4044918297615
Content	1
Order amount	20
Customer item number	

### Notes

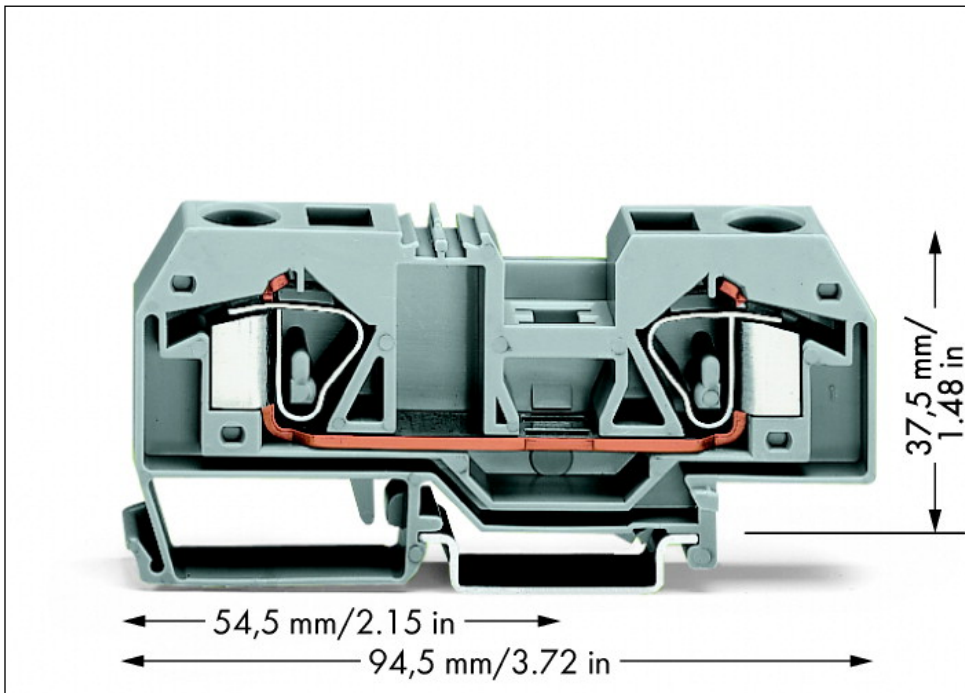
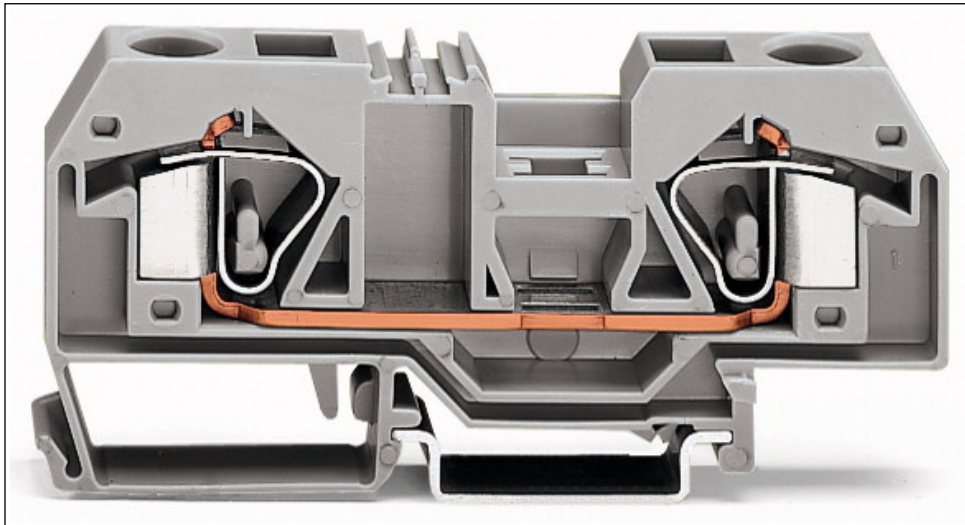
### Technical data

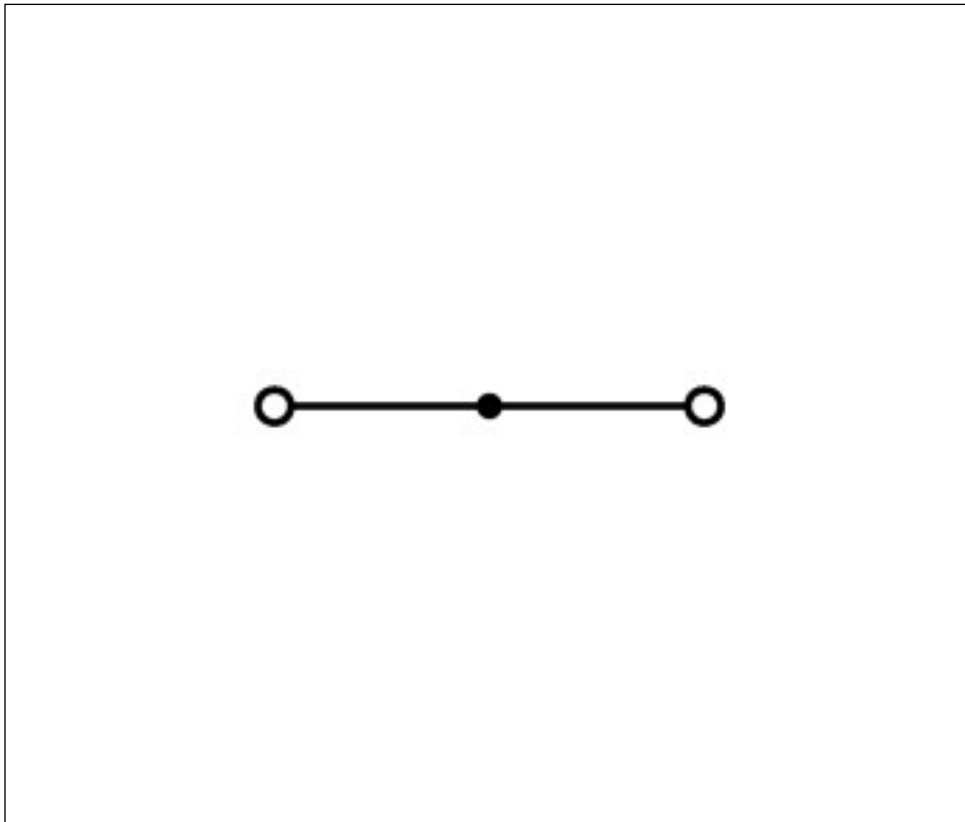
#### Miscellaneous

Total number of connection points	2
Total number of potentials	1
Color	gray
Ratings per	IEC/EN 60947-7-1
Rated voltage (III / 3) [V]	800 [V]
Rated impulse voltage (III / 3) [kV]	8 [kV]

<b>Technical data</b>	
<i>Rated current [A]</i>	<i>76 [A]</i>
<i>Number of levels</i>	<i>1</i>
<i>Connection technology</i>	<i>CAGE CLAMP®</i>
<i>Number of connection points connector</i>	<i>2</i>
<i>Actuation type</i>	<i>Operating tool</i>
<i>Connectable conductor materials</i>	<i>Copper</i>
<i>Solid conductors, tool-operated termination</i>	<i>0.2 ... 16 mm<sup>2</sup> / 24 ... 6 AWG</i>
<i>Fine-stranded conductors, tool-operated termination</i>	<i>0.2 ... 16 mm<sup>2</sup> / 24 ... 6 AWG</i>
<i>Strip length</i>	<i>16 ... 17 mm / 0.63 ... 0.67 inch</i>
<i>Type of wiring</i>	<i>Front-entry wiring</i>
<i>Design</i>	<i>horizontal</i>
<i>Marking level</i>	<i>Center marking</i>
<i>Insulating material</i>	<i>Polyamide 66 (PA 66)</i>
<i>Fire load [MJ]</i>	<i>0.536 [MJ]</i>
<i>Weight [g]</i>	<i>35.588 [g]</i>
<i>Width</i>	<i>12 mm / 0.472 in.</i>
<i>Height from upper-edge of DIN-35 rail</i>	<i>37.5 mm / 1.476 in.</i>
<i>Depth</i>	<i>94.5 mm / 3.72 in.</i>
<i>Type of mounting</i>	<i>DIN-35 rail</i>

Images & drawings





#### Address

WAGO Kontakttechnik GmbH & Co. KG

Hansastr. 27

32423 Minden

Telefon: 0571/887-0

Fax: 0571/887-169

<http://www.wago.com>

© WAGO Kontakttechnik GmbH & Co. KG

Technische Änderungen und Irrtümer vorbehalten.