

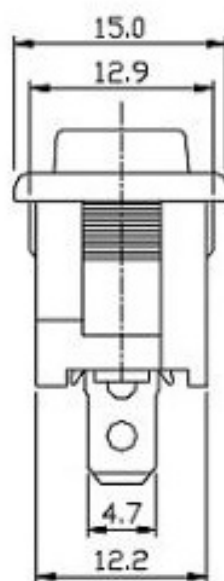
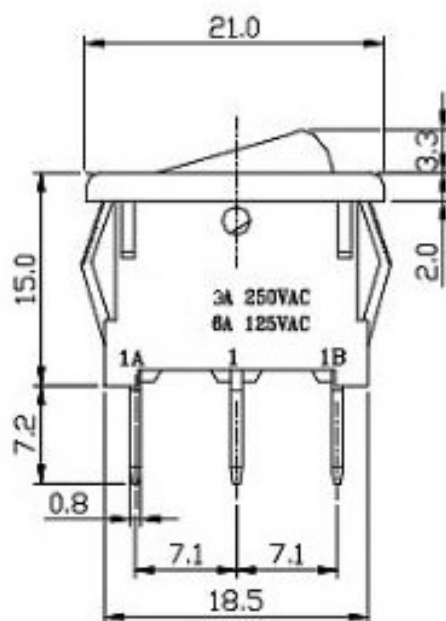


Item No. : B100H

RoHS : RoHS

Description :

3P rocker switch (SPDT) on-on
125V 6A (250V 3A)



W	Panel Thickness
0.75-1.25	19.2/19.1
1.25-2.0	19.4/19.3
2.0-3.0	19.8/19.7

