



## PUSH WIRE® connector for junction boxes; 4-conductor terminal block

Item No.: 273-102



PUSH WIRE® connector for junction boxes; 4-conductor terminal block

### Marking

RoHS ✓  
Compliant

### Business data

Supplier	WAGO
Item no.	273-102
GTIN / EAN	4044918450645
Content	1
Order amount	100
Customer item number	

### Notes

Safety information 2: When using conductors of exclusively the same cross section, 0.75 mm<sup>2</sup>/AWG 18 is also possible.

### Technical data

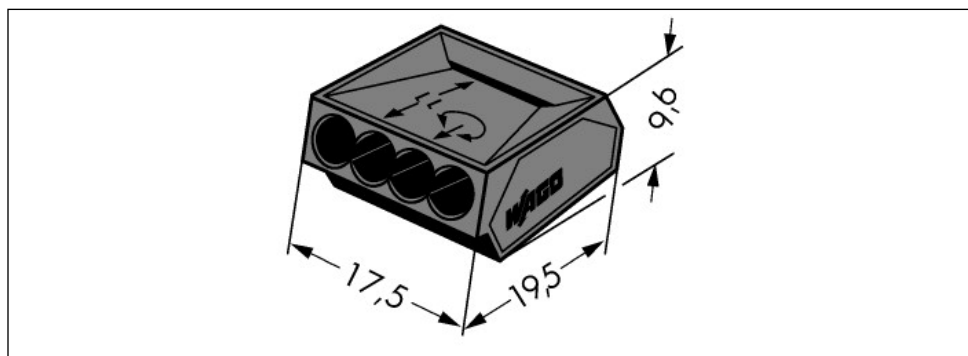
#### Miscellaneous

Total number of connection points	4
Total number of potentials	1
Color	dark gray
Rated voltage (II / 2) [V]	400 [V]
Rated impulse voltage (II / 2) [kV]	4 [kV]

<b>Technical data</b>	
<i>Rated current [A]</i>	<i>24 [A]</i>
<i>Connection technology</i>	<i>PUSH WIRE®</i>
<i>Number of connection points connector</i>	<i>4</i>
<i>Actuation type</i>	<i>Push-in</i>
<i>Connectable conductor materials</i>	<i>Copper</i>
<i>Solid conductors, tool-operated termination</i>	<i>1 ... 2.5 mm<sup>2</sup> / 14 ... 12 AWG</i>
<i>Strip length</i>	<i>10 ... 13 mm / 0.39 ... 0.51 inch</i>
<i>Type of wiring</i>	<i>Side-entry wiring</i>
<i>Fire load [MJ]</i>	<i>0.046 [MJ]</i>
<i>Weight [g]</i>	<i>2.745 [g]</i>
<i>Width</i>	<i>17.5 mm / 0.689 in.</i>
<i>Height</i>	<i>9.6 mm / 0.378 in.</i>
<i>Depth</i>	<i>19.5 mm / 0.768 in.</i>
<i>Safety information 1</i>	<i>In grounded power lines</i>

Images & drawings





## Address

WAGO Kontakttechnik GmbH & Co. KG

Hansastr. 27

32423 Minden

Telefon: 0571/887-0

Fax: 0571/887-169

<http://www.wago.com>

© WAGO Kontakttechnik GmbH & Co. KG

Technische Änderungen und Irrtümer vorbehalten.