



Item No. : B169C

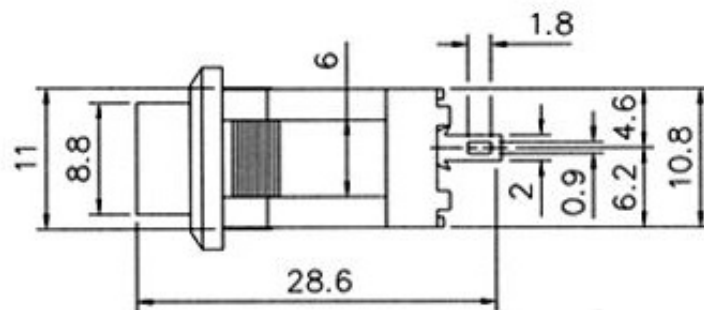
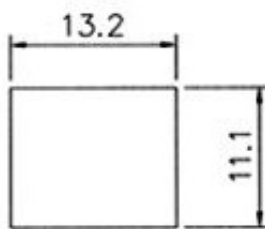
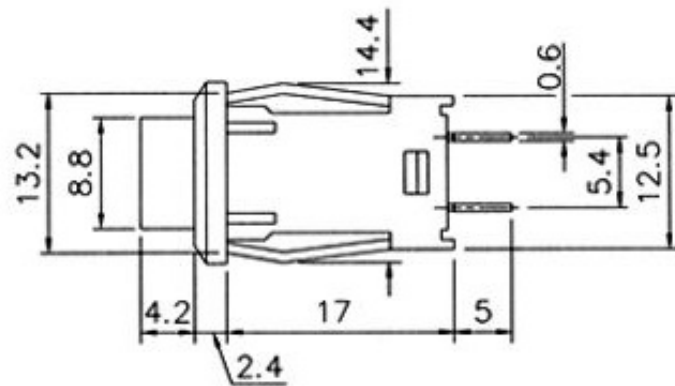
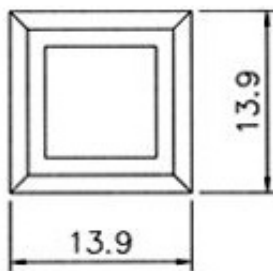
RoHS : RoHS

Description :

Square type pushbutton switch

Open and close type

125V 1A



Panel Thickness :
2.5mm Max.

Specifications

Rating: 1A 125VAC

Contact resistance: 20mΩ Max

Insulation resistance: DC 500V 100MΩ Min

Dielectric strength: AC 1000 1 minute