

# Ceramic Resonators

- JTA
- JTT

## Through Hole Types

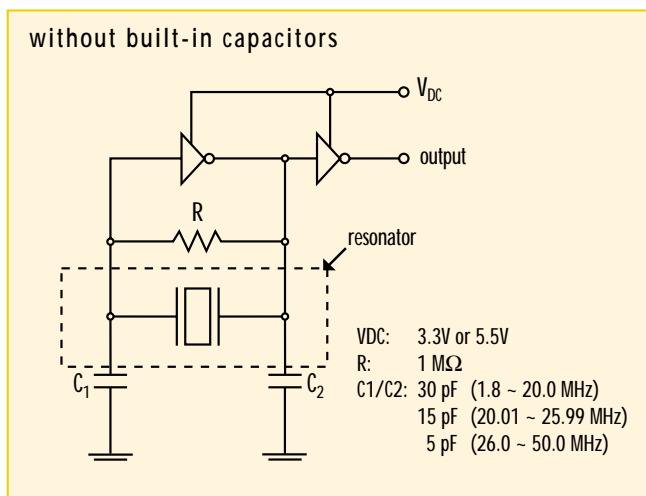
### Features

- JTA - without built-in capacitors
- JTT - with built-in capacitors

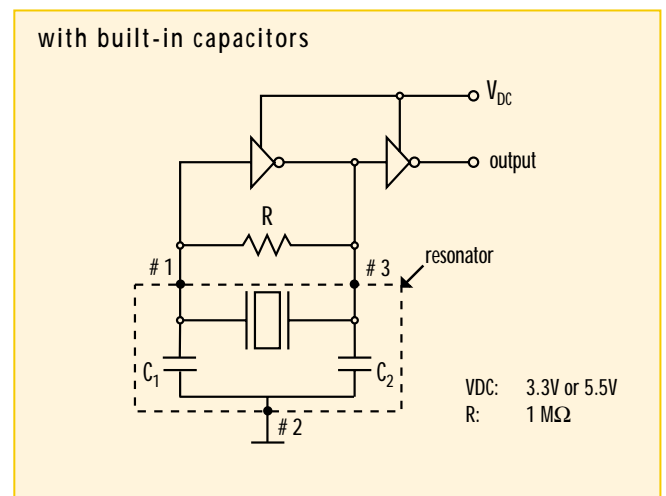
## General Data

| type                                      | JTA / MG        | JTT / MG | JTA / MT        | JTT / MT | JTA / MX                                  | JTT / MX |
|---|-----------------|----------|-----------------|----------|---|----------|
| built-in capacitors                       | no              | yes      | no              | yes      | no  | yes      |
| frequency range in MHz                    | 1.8 ~ 6.0       |          | 6.01 ~ 13.0     |          | 13.01 ~ 50.0                              |          |
| series resistance ESR max.                | 100 $\Omega$    |          | 30 $\Omega$     |          | 30 $\Omega$ (40 $\Omega$ 20.0 ~ 50.0 MHz) |          |
| frequency stability at 25 °C              | $\pm 0.5\%$     |          | $\pm 0.5\%$     |          | $\pm 0.5\%$                               |          |
| frequency stability vs. temperature range | $\pm 0.3\%$     |          | $\pm 0.3\%$     |          | $\pm 0.3\%$                               |          |
| operating temperature range               | -20 °C ~ +80 °C |          | -20 °C ~ +80 °C |          | -20 °C ~ +80 °C                           |          |
| aging over 10 years                       | $\pm 0.3\%$     |          | $\pm 0.3\%$     |          | $\pm 0.3\%$                               |          |

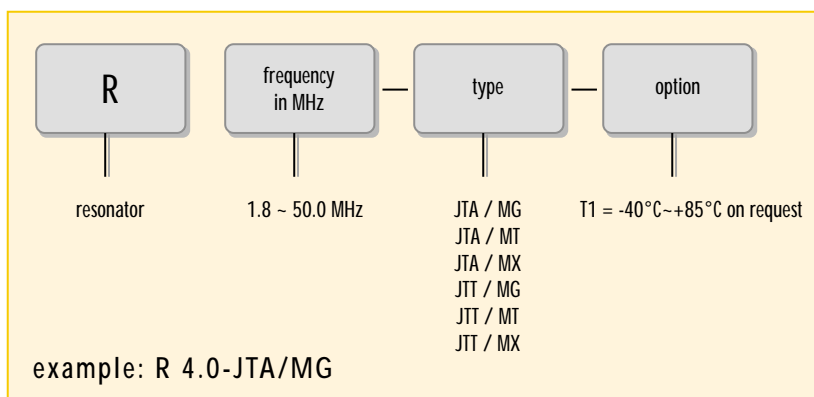
## Test Circuit JTA



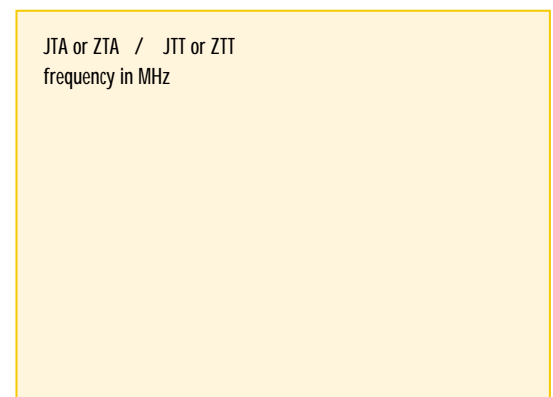
## Test Circuit JTT



## Order Information

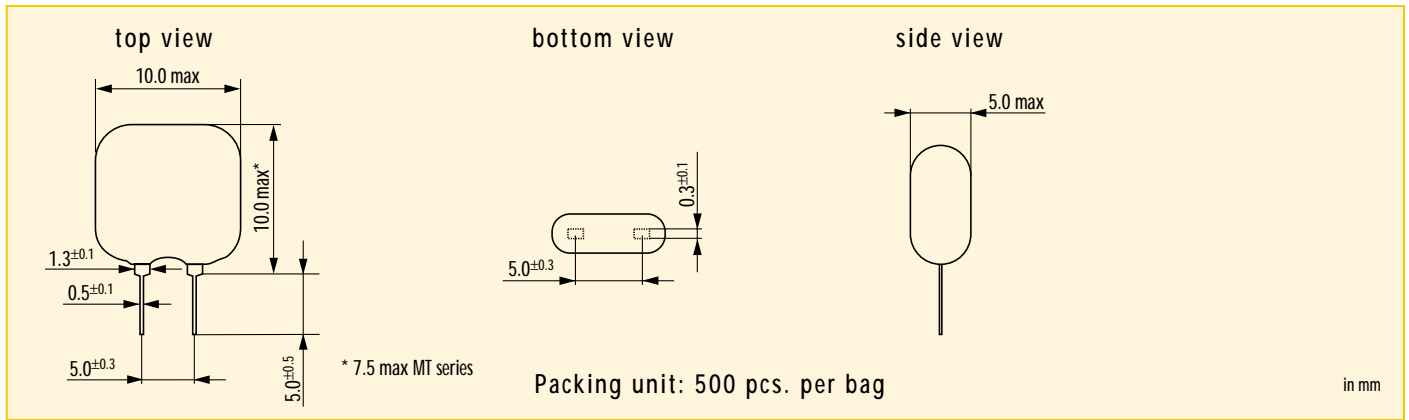


## Marking

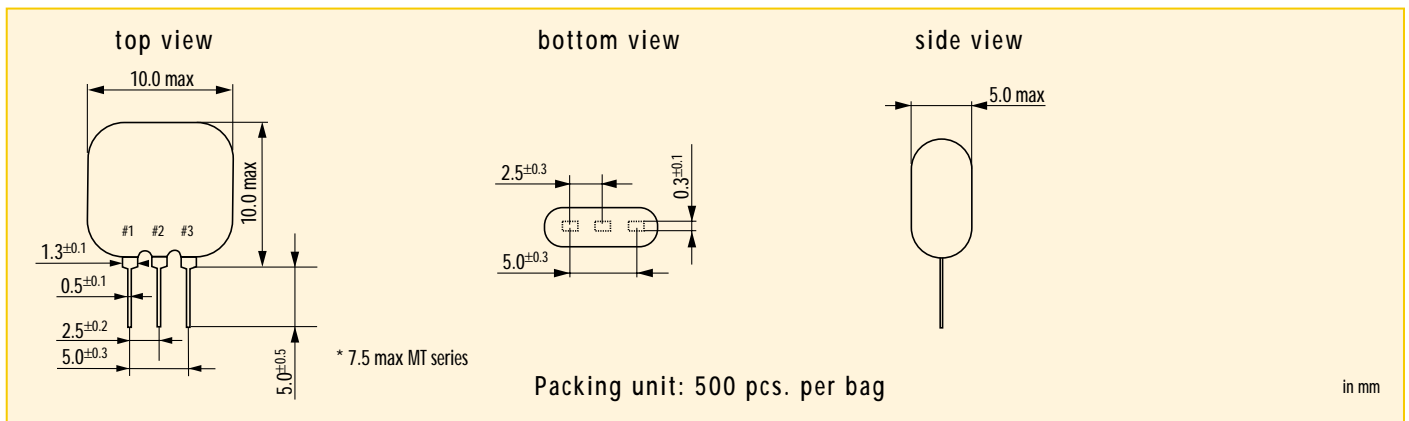


# Ceramic Resonators : JTA : JTT

## Dimensions JTA



## Dimensions JTT



## Taping Specification

