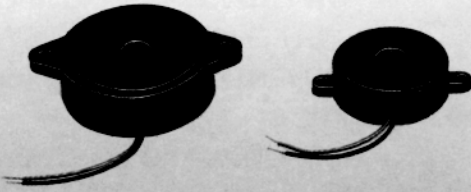
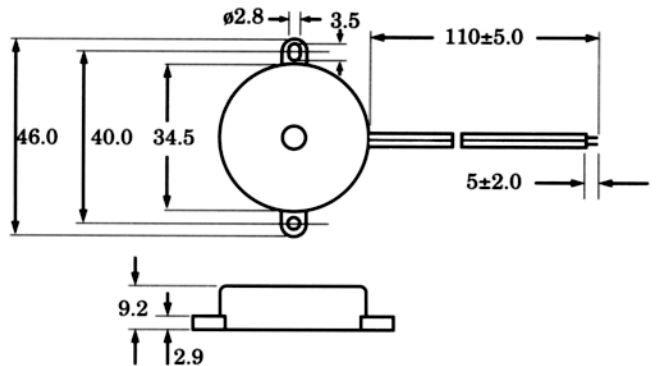


FEATURES:

- ▲ EXTREMELY CLEAR SOUND
- ▲ EXTREMELY THIN AND LIGHTWEIGHT
- ▲ DRIVEN DIRECTLY FROM IC
- ▲ LOW FREQUENCY



Model No.	SEP-1141
Operating Voltage (Vp-p max)	30
Sound Pressure Level at 10cm 10Vp-p square wave (dB min)	81 at 1.1 KHz
Current Consumption (mA max)	9
Capacitance (± 30%pF)	43,000
Operating Temperature (°C)	-20° ~ 60°
Storage Temperature (°C)	-30° ~ 70°
Weight (Gram)	5.3



Model No.	SEP-1142
Operating Voltage (Vp-p max)	50
Sound Pressure Level at 10cm 10Vp-p square wave (dB min)	87 at 750 Hz
Current Consumption (mA max)	12
Capacitance (± 30%pF)	55,000
Operating Temperature (°C)	-20° ~ 60°
Storage Temperature (°C)	-30° ~ 70°
Weight (Gram)	12.0

