



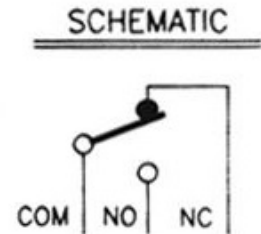
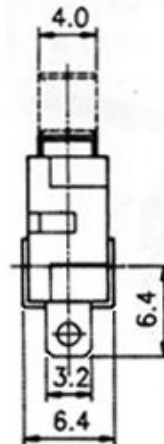
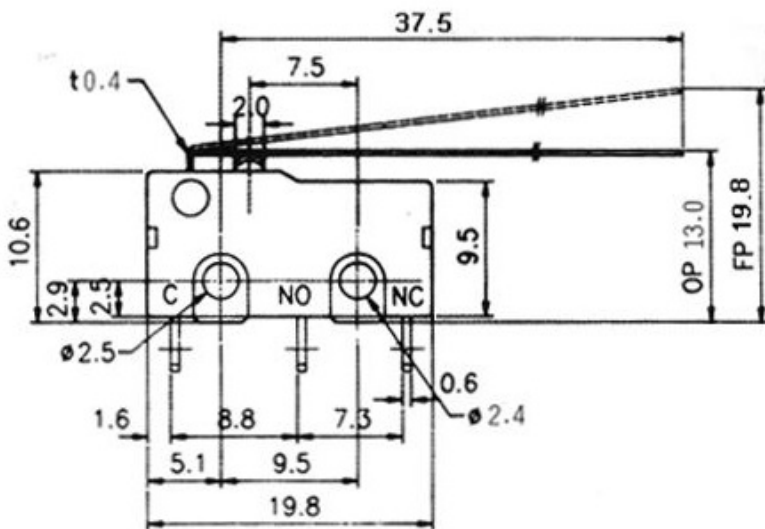
Item No. : B175H

RoHS : RoHS

**Description :**

Mini micro switch (SPDT) on-on 30gf  
125V 5A (250V 3A) W/approval

**Approval:**



**Specifications**

Rating	5A 125VAC 3A 250VAC
Operating force (OF)	50g max.
Releasing force (RF)	6g min.
Dielectric strength (between contacts)	1000VAC 50/60Hz for 1 minute
Dielectric strength (between terminal and ground)	1500VAC 50/60Hz for 1 minute
Mechanical life	10000000 operations min.
Electrical life	100000 operation min. (at rated load)