

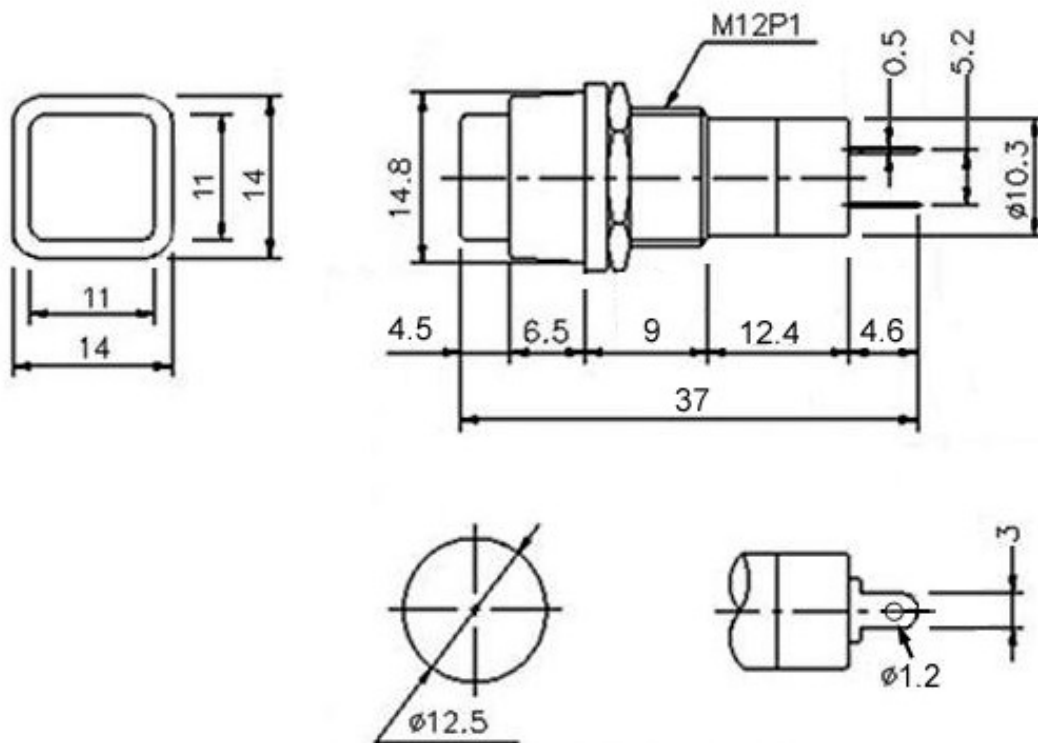


Item No. : B160A

RoHS : RoHS

Description :

Square type pushbutton switch
Open and close type
125V 3A



Panel Thickness : 5.0mm Max.

Specifications

Rating: 3A 125VAC
Contact resistance: 50m Ω Max
Insulation resistance: DC 500V 100M Ω Min
Dielectric strength: AC 1000V 1 minute