



Stackable PCB terminal block; 2.5 mm²; Pin spacing 5/5.08 mm; 1-pole; CAGE CLAMP®; commoning option

Item No.: 236-101



Stackable PCB terminal block; 2.5 mm²; Pin spacing 5/5.08 mm; 1-pole; CAGE CLAMP®; commoning option

Marking

RoHS ✓
Compliant

Business data

| | |
|----------------------|---------------|
| Supplier | WAGO |
| Item no. | 236-101 |
| GTIN / EAN | 4044918765886 |
| Content | 1 |
| Order amount | 100 |
| Customer item number | |

Notes

Item description: Modular terminal blocks with CAGE CLAMP® connection, screwdriver actuation parallel or perpendicular to conductor entry Also available with Ex e approval For custom terminal strip assemblies Operating tools for factory wiring 45° connection angle permits a wide range of uses and wiring options Set to metric or inch pin spacing by compressing terminal strips together or pulling them apart

Technical data

Miscellaneous

| | |
|--------------|--------------------------|
| No. of poles | 1 |
| Pin spacing | 5/5.08 mm / 0.197/0.2 in |

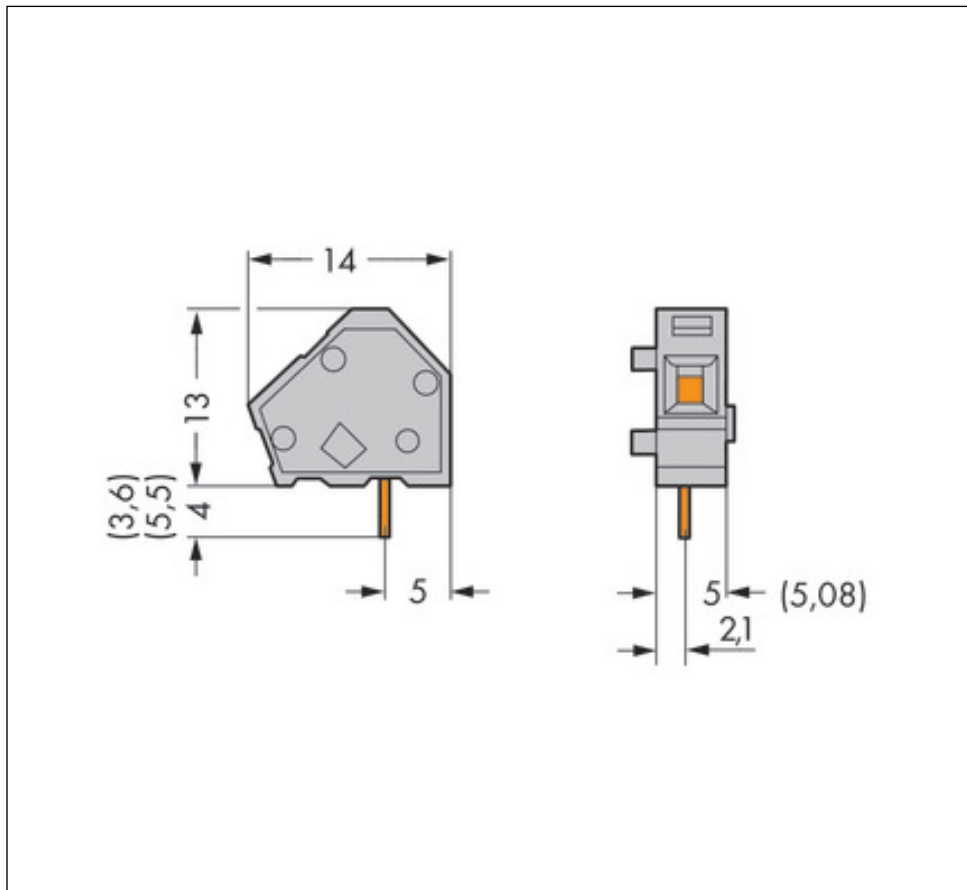
| Technical data | |
|---|--|
| Total number of connection points | 1 |
| Total number of potentials | 1 |
| Color | gray |
| Ratings per | IEC/EN 60664-1 |
| Rated voltage (III / 3) [V] | 250 [V] |
| Rated impulse voltage (III / 3) [kV] | 4 [kV] |
| Rated voltage (III/2) [V] | 320 [V] |
| Rated impulse voltage (III / 2) [kV] | 4 [kV] |
| Rated voltage (II / 2) [V] | 630 [V] |
| Rated impulse voltage (II / 2) [kV] | 4 [kV] |
| Rated current [A] | 24 [A] |
| Number of connection objects | 1 |
| Number of levels | 1 |
| Connection technology | CAGE CLAMP® |
| Number of connection points connector | 1 |
| Actuation type | Operating tool |
| Solid conductors, tool-operated termination | 0.08 ... 2.5 mm ² / 28 ... 12 AWG |
| Fine-stranded conductors, tool-operated termination | 0.08 ... 2.5 mm ² / 28 ... 12 AWG |
| Fine-stranded conductors with insulated ferrule | 0.25 ... 1.5 mm ² / ... |
| Fine-stranded conductors with uninsulated ferrule | 0.25 ... 1.5 mm ² / ... |
| Strip length | 5 ... 6 mm / 0.2 ... 0.24 inch |
| Conductor entry angle to the PCB [°] | 45 [°] |
| Cross section up to (1) [mm ²] | 2.5 [mm ²] |
| Cross section from (1) [AWG] | 28 [AWG] |
| Cross section from (2) [mm ²] | 0.08 [mm ²] |
| Cross section up to (2) [mm ²] | 2.5 [mm ²] |
| Solder pin arrangement | in line |
| Solder pin length [mm] | 4 [mm] |
| Drilled hole diameter (tolerance) [mm] | 1.1(+ 0.1) [mm] |
| Drilled hole diameter [mm] [mm] | 1.1 [mm] |
| Tolerance of drilled hole diameter plus [mm] [mm] | +0.1 [mm] |
| Material group | I |
| Insulating material | Polyamide 66 (PA 66) |
| Flammability class per UL94 | V0 |

Printview: Stackable PCB terminal block; 2.5 mm²; Pin spacing 5/5.08 mm; 1-pole; CAGE CLAMP®; commoning option - Item No.: 236-101

| Technical data | |
|---------------------------------|--|
| <i>Limit temperature range</i> | <i>-60 ... 105 C</i> |
| <i>Clamping spring material</i> | <i>Chrome-nickel spring steel (CrNi)</i> |
| <i>Contact material</i> | <i>Electrolytic copper (Ecu)</i> |
| <i>Contact plating</i> | <i>tin-plated</i> |
| <i>Fire load [MJ]</i> | <i>0.012 [MJ]</i> |
| <i>Weight [g]</i> | <i>0.848 [g]</i> |
| <i>Width</i> | <i>7.2 mm / 0.283 in.</i> |
| <i>Height</i> | <i>17 mm / 0.669 in.</i> |
| <i>Height from the surface</i> | <i>13 mm / 0.512 in.</i> |
| <i>Depth</i> | <i>14 mm / 0.551 in.</i> |
| <i>Pin spacing up to [in]</i> | <i>0.2 [in]</i> |

Images & drawings





Address

WAGO Kontakttechnik GmbH & Co. KG

Hansastr. 27

32423 Minden

Telefon: 0571/887-0

Fax: 0571/887-169

<http://www.wago.com>

© WAGO Kontakttechnik GmbH & Co. KG

Technische Änderungen und Irrtümer vorbehalten.