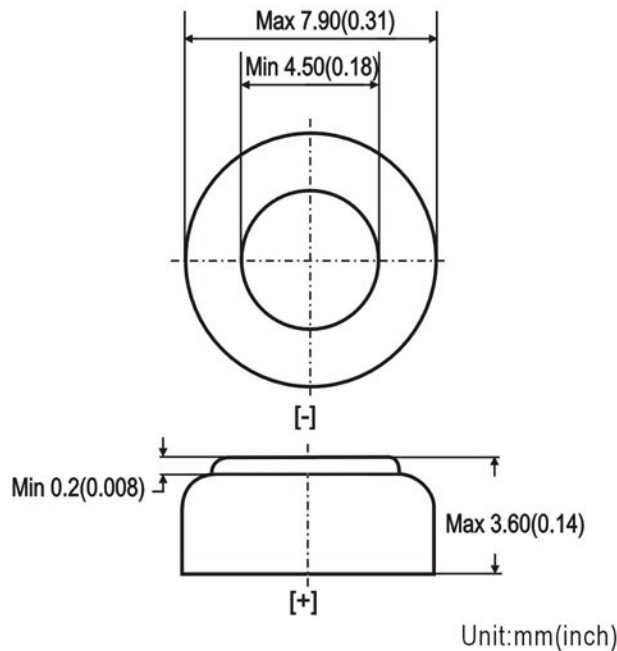


SILVER OXIDE BUTTON CELL

Document Title: Pb0441

SR 41

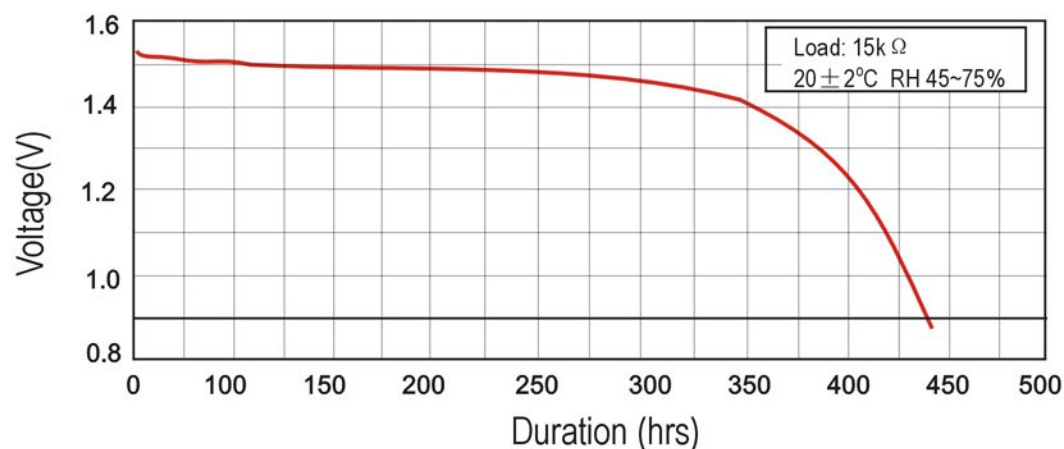


Chemical System : Silver Oxide
Camelion Model : SR41
IEC Name: SR 41,
Average Weight : 0.7g
Dimension (∅ x H) : 7.90 x3.60 mm
 0.31x0.14 inch
Negative Terminal : Trimetal or steel gold plated
Positive Terminal: Nickel plated steel
Nominal Voltage : 1.55Volts
Nominal Service Capacity: 42.0mAh
 (20±2°C , Rated at 15KΩ to 0.90V)
Discharge Current: 0~5.0mA
Cross Reference: V392(Varta), 392(Eveready)

Discharge Characteristic

Load Resistance	Cut Off Voltage	Discharge Pattern	Starting Drain	Duration
15k Ω	0.90V	24hrs/day	1.5mA	440hrs

Discharge Curve



Notice:

This information is subject to change without prior notice and for reference only. It should not be used as a basis for a product guarantee or warranty . For additional information, please consult your nearest Camelion Sales Office or Distributor or visit our website at: www.camelionbattery.com.