



Connector; For EIB applications

Item No.: 243-211



Connector; For EIB applications

Marking

RoHS
Compliant

Business data

Supplier	WAGO
Item no.	243-211
GTIN / EAN	4044918442831
Content	1
Order amount	50
Customer item number	

Notes

Item description: Compact, 4-conductor EIB connector with PUSH WIRE® Simple push-in termination for solid conductors 4-conductor entry allows devices to be replaced without disrupting the EIB bus connection

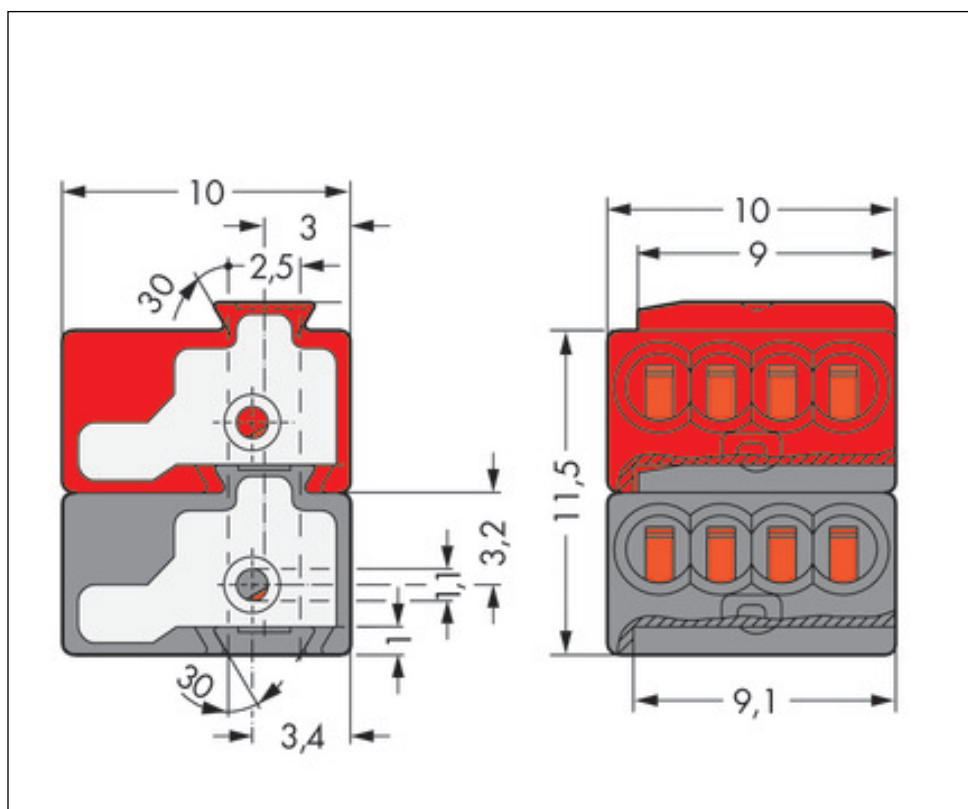
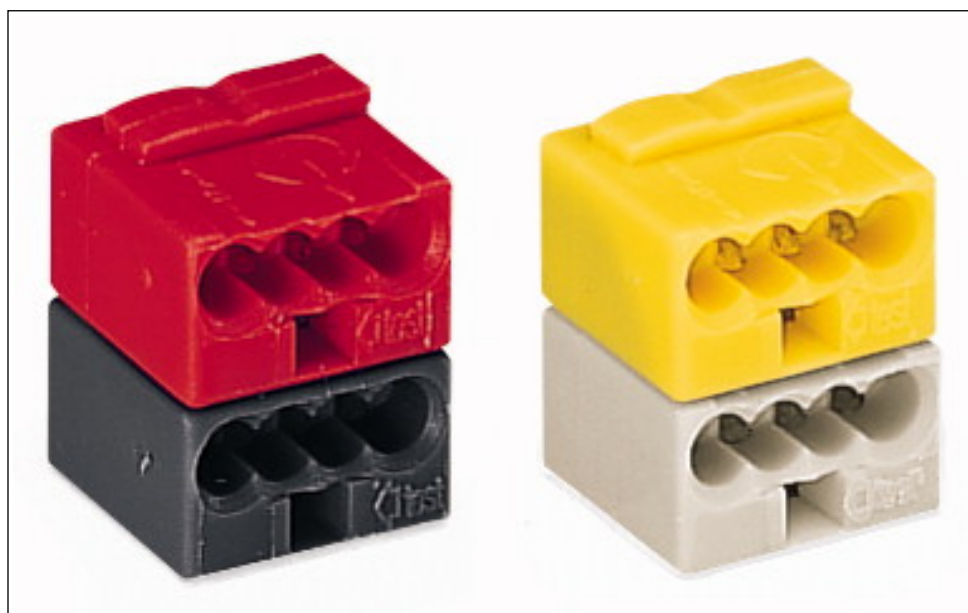
Technical data

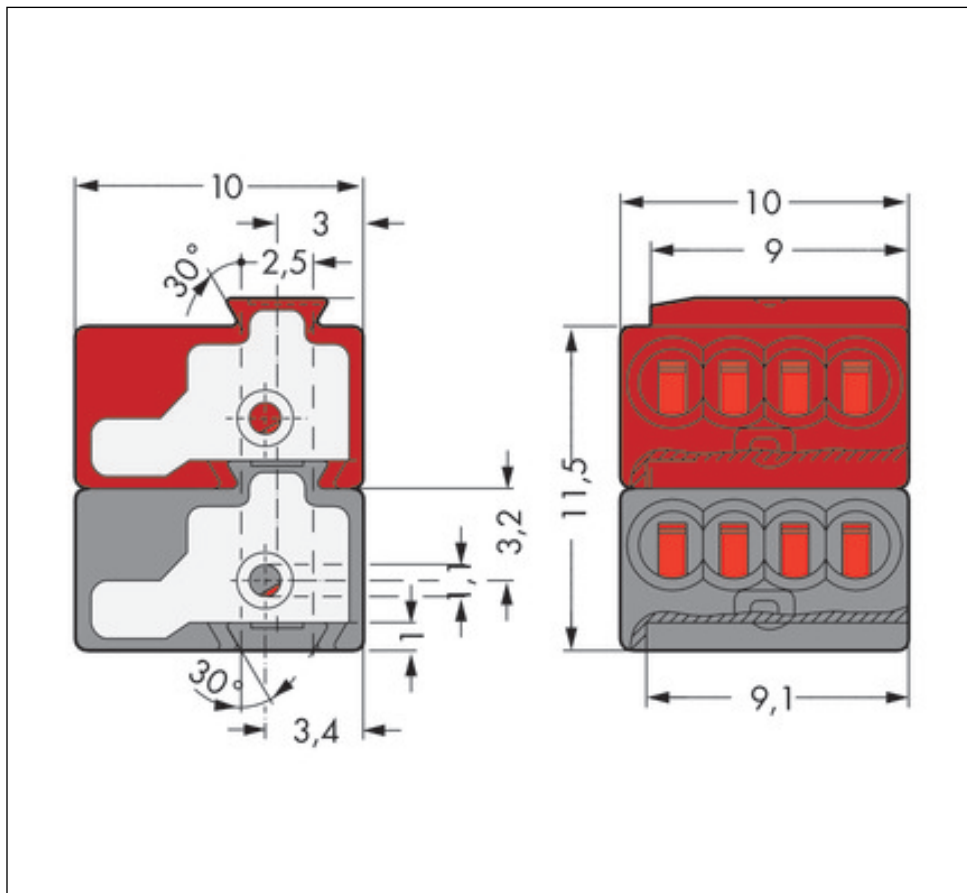
Miscellaneous

No. of poles	2
Total number of connection points	8
Total number of potentials	2
Color	dark gray/red
Ratings per	IEC/EN 60664-1

Technical data	
<i>Rated voltage (III / 3) [V]</i>	<i>250 [V]</i>
<i>Rated impulse voltage (III / 3) [kV]</i>	<i>4 [kV]</i>
<i>Rated voltage (III/2) [V]</i>	<i>100 [V]</i>
<i>Rated current [A]</i>	<i>6 [A]</i>
<i>Number of connection objects</i>	<i>1</i>
<i>Number of levels</i>	<i>1</i>
<i>Connection technology</i>	<i>PUSH WIRE®</i>
<i>Number of connection points connector</i>	<i>4</i>
<i>Leiterdurchmesser Hinweis</i>	<i>Bei Verwendung unterschiedlicher Leiterdurchmesser</i>
<i>Leiterdurchmesser</i>	<i>0.6 - 0.8 mm</i>
<i>Leiterdurchmesser Hinweis 2</i>	<i>Bei Verwendung identischer Leiterdurchmesser</i>
<i>Strip length</i>	<i>5 ... 6 mm / 0.2 ... 0.24 inch</i>
<i>Leiterdurchmesser 2</i>	<i>1 mm</i>
<i>Material group</i>	<i>I</i>
<i>Insulating material</i>	<i>Polyamide 66 (PA 66)</i>
<i>Flammability class per UL94</i>	<i>V0</i>
<i>Limit temperature range</i>	<i>-60 ... 105 C</i>
<i>Clamping spring material</i>	<i>Chrome-nickel spring steel (CrNi)</i>
<i>Contact material</i>	<i>Electrolytic copper (Ecu)</i>
<i>Contact plating</i>	<i>tin-plated</i>
<i>Fire load [MJ]</i>	<i>0.024 [MJ]</i>
<i>Weight [g]</i>	<i>1.6 [g]</i>
<i>Width</i>	<i>10 mm / 0.394 in.</i>
<i>Height</i>	<i>11.5 mm / 0.453 in.</i>
<i>Depth</i>	<i>10 mm / 0.394 in.</i>

Images & drawings





Address

WAGO Kontakttechnik GmbH & Co. KG

Hansastr. 27

32423 Minden

Telefon: 0571/887-0

Fax: 0571/887-169

<http://www.wago.com>

© WAGO Kontakttechnik GmbH & Co. KG

Technische Änderungen und Irrtümer vorbehalten.