



8-channel digital output; 24 V AC/DC; 0.5 A

Item No.: 750-530



8-channel digital output; 24 V AC/DC; 0.5 A

Marking

RoHS ✓
Compliant

Business data

Supplier	WAGO
Item no.	750-530
GTIN / EAN	4045454686901
Content	1
Order amount	1
Customer item number	

Notes

Item description: The digital output module provides 8 channels in a width of just 12mm (0.47in.). The connected load is switched via digital output from the control system. All outputs are short-circuit-protected. Field and system levels are electrically isolated.

Technical data

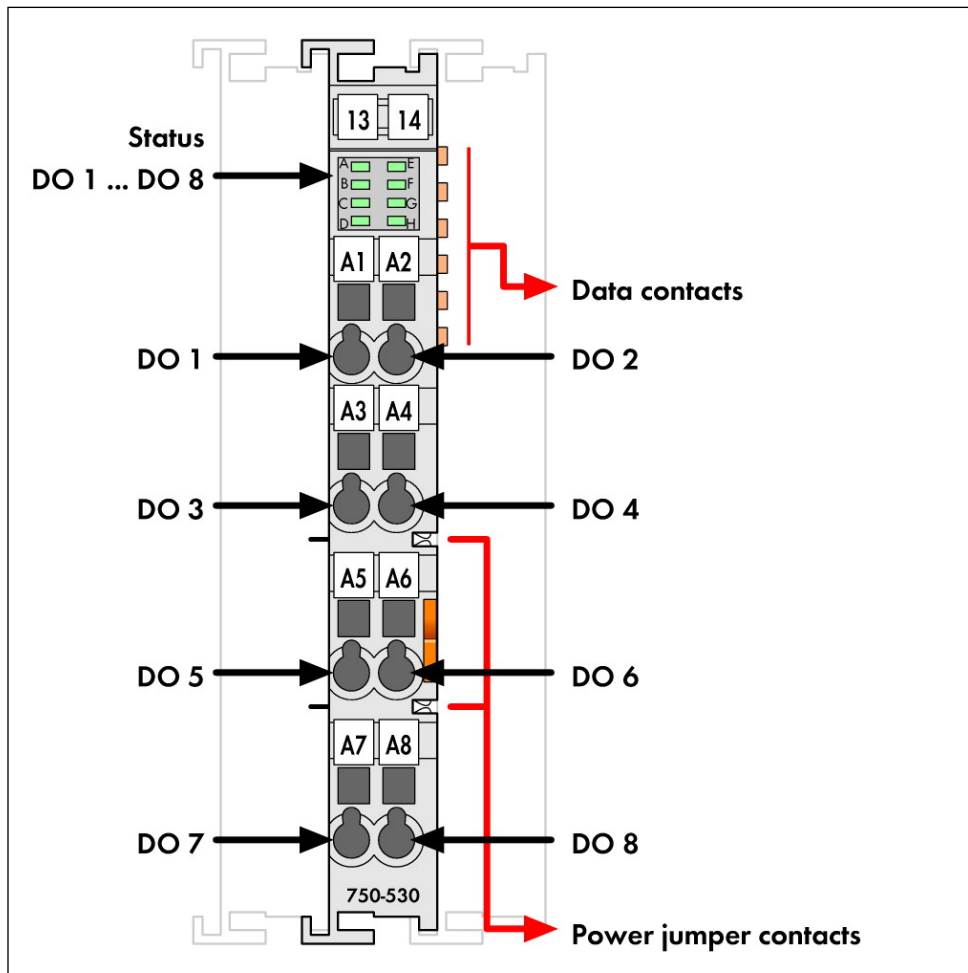
Miscellaneous

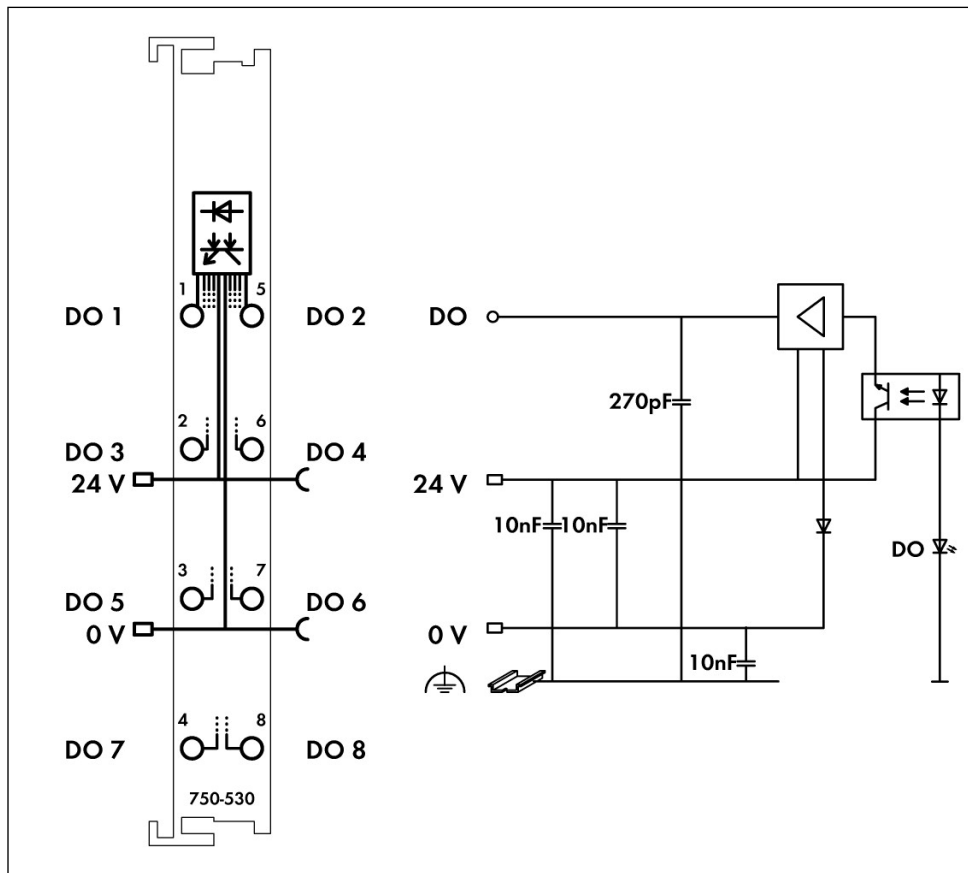
Color	light gray
Conformity marking	CE
No. of outputs	8
Isolation	500 V system/supply

Technical data	
<i>Voltage via power jumper contacts</i>	24 V DC (-25 % ... +30 %)
<i>Current consumption (internal) (3) [mA]</i>	25 [mA]
<i>Current consumption typ. (field side)</i>	15 mA + charge
<i>Output current (max.)</i>	0.5 A, short-circuit protected
<i>Type of load</i>	resistive, inductive, lamps
<i>Max. switching frequency</i>	2 kHz
<i>Inductive load switch off energy dissipation W (max.)</i>	0.9 J; $L_{max} = 2 \times W_{max} / I^2$
<i>Internal bit width</i>	8 bits
<i>Type of signal</i>	24 VDC
<i>Degree of protection</i>	IP20
<i>Connection technology</i>	CAGE CLAMP®
<i>Solid conductors, tool-operated termination</i>	0.08 ... 2.5 mm ² / 28 ... 14 AWG
<i>Fine-stranded conductors, tool-operated termination</i>	0.08 ... 2.5 mm ² / 28 ... 14 AWG
<i>Strip length</i>	8 ... 9 mm / 0.31 ... 0.35 inch
<i>Cross section up to (1) [mm²]</i>	2.5 [mm ²]
<i>Cross section from (1) [AWG]</i>	28 [AWG]
<i>Fire load [MJ]</i>	1.034 [MJ]
<i>Weight [g]</i>	49.754 [g]
<i>Width</i>	12 mm / 0.472 in.
<i>Height</i>	67.8 mm / 2.669 in.
<i>Height from upper-edge of DIN-35 rail</i>	60.6 mm / 2.386 in.
<i>Depth</i>	100 mm / 3.937 in.
<i>Housing material</i>	Polycarbonat, Polyamid 6.6
<i>Storage temperature</i>	-25 °C ... +85 °C
<i>Relative air humidity (no condensation) [%]</i>	95 [%]
<i>Type of mounting</i>	DIN-35 rail
<i>Operating temperature</i>	0°C ... +55°C
<i>Mounting position</i>	any
<i>Exposure to pollutants</i>	gemäß IEC 60068-2-42 und IEC 60068-2-43
<i>EMC emission of interference</i>	acc. to EN 61000-6-4, marine applications
<i>EMC immunity to interference</i>	acc. to EN 61000-6-2, marine applications
<i>Shock resistance</i>	acc. to IECPer IEC 60068-2-27
<i>Vibration resistance</i>	acc. to IECPer IEC 60068-2-6

Images & drawings







Address

WAGO Kontakttechnik GmbH & Co. KG

Hansastr. 27

32423 Minden

Telefon: 0571/887-0

Fax: 0571/887-169

<http://www.wago.com>

© WAGO Kontakttechnik GmbH & Co. KG

Technische Änderungen und Irrtümer vorbehalten.