



**PCB terminal block; Push-button; 0.5 mm²; Pin spacing 2.54 mm;
12-pole; CAGE CLAMP®**

Item No.: 234-512



PCB terminal block; Push-button; 0.5 mm²; Pin spacing 2.54 mm; 12-pole; CAGE CLAMP®

Marking

RoHS ✓
Compliant

Business data

Supplier	WAGO
Item no.	234-512
GTIN / EAN	4044918652209
Content	1
Order amount	35
Customer item number	

Notes

Item description: Terminal strips with push-buttons and CAGE CLAMP® connection Double solder pins for high mechanical stability on PCB Ideal for in-the-field wiring thanks to simplified push-button actuation Convenient, tool-free operation

Technical data

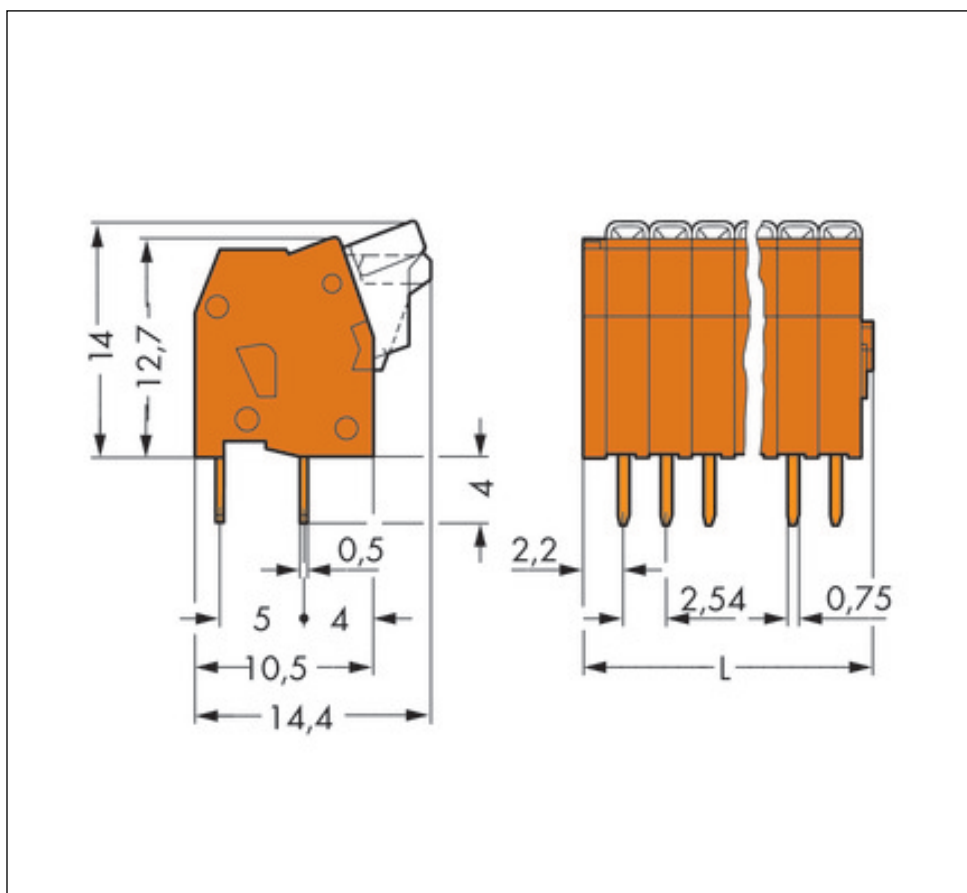
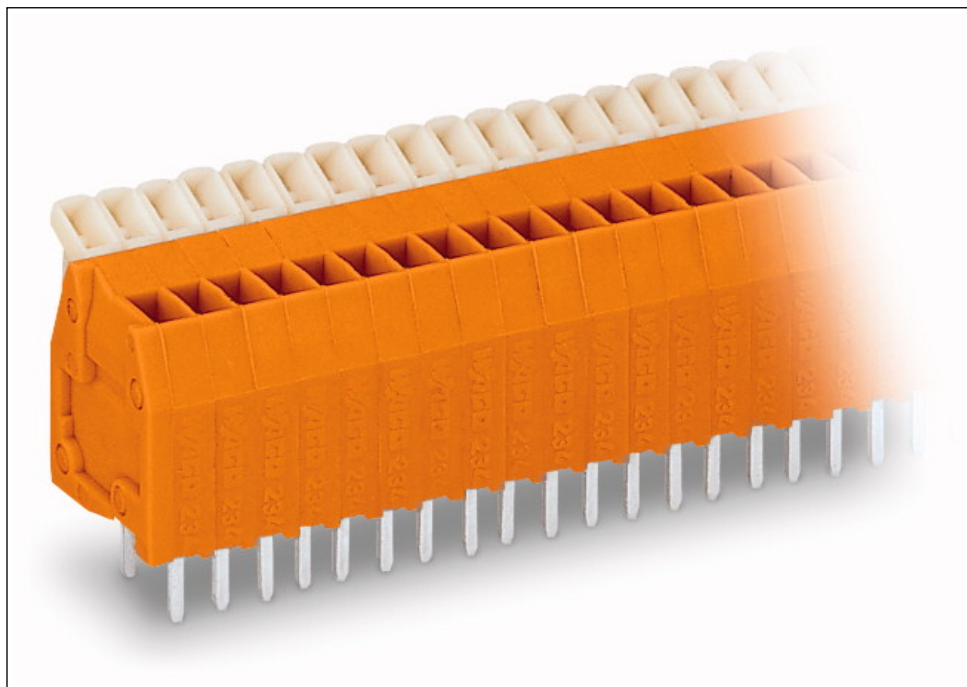
Miscellaneous

No. of poles	12
Pin spacing	2.54 mm (0.1 in)
Total number of connection points	12

Technical data	
<i>Total number of potentials</i>	12
<i>Color</i>	orange
<i>Ratings per</i>	IEC/EN 60664-1
<i>Rated voltage (III / 3) [V]</i>	63 [V]
<i>Rated impulse voltage (III / 3) [kV]</i>	2.5 [kV]
<i>Rated voltage (III/2) [V]</i>	160 [V]
<i>Rated impulse voltage (III / 2) [kV]</i>	2.5 [kV]
<i>Rated voltage (II / 2) [V]</i>	320 [V]
<i>Rated impulse voltage (II / 2) [kV]</i>	2.5 [kV]
<i>Rated current [A]</i>	6 [A]
<i>Number of connection objects</i>	1
<i>Number of levels</i>	1
<i>Connection technology</i>	CAGE CLAMP®
<i>Number of connection points connector</i>	1
<i>Actuation type</i>	Operating lever
<i>Solid conductors, tool-operated termination</i>	0.08 ... 0.5 mm ² / 28 ... 20 AWG
<i>Fine-stranded conductors, tool-operated termination</i>	0.08 ... 0.5 mm ² / 28 ... 20 AWG
<i>Fine-stranded conductors with insulated ferrule</i>	0.25 mm ² / AWG
<i>Fine-stranded conductors with uninsulated ferrule</i>	0.25 mm ² / AWG
<i>Strip length</i>	5 ... 6 mm / 0.2 ... 0.24 inch
<i>Conductor entry angle to the PCB [°]</i>	90 [°]
<i>Cross section up to (1) [mm²]</i>	0.5 [mm ²]
<i>Cross section from (1) [AWG]</i>	28 [AWG]
<i>Cross section from (2) [mm²]</i>	0.08 [mm ²]
<i>Cross section up to (2) [mm²]</i>	0.5 [mm ²]
<i>Solder pin arrangement</i>	in line
<i>Solder pin length [mm]</i>	4 [mm]
<i>Drilled hole diameter (tolerance) [mm]</i>	1.1(+ 0.1) [mm]
<i>Drilled hole diameter [mm] [mm]</i>	1.1 [mm]
<i>Tolerance of drilled hole diameter plus [mm] [mm]</i>	+0.1 [mm]
<i>Material group</i>	I
<i>Insulating material</i>	Polyamide 66 (PA 66)
<i>Flammability class per UL94</i>	V0
<i>Limit temperature range</i>	-60 ... 105 C

Technical data	
<i>Clamping spring material</i>	<i>Chrome-nickel spring steel (CrNi)</i>
<i>Contact material</i>	<i>Electrolytic copper (Ecu)</i>
<i>Contact plating</i>	<i>tin-plated</i>
<i>Fire load [MJ]</i>	<i>0.088 [MJ]</i>
<i>Weight [g]</i>	<i>6.097 [g]</i>
<i>Width</i>	<i>32.68 mm / 1.287 in.</i>
<i>Height</i>	<i>18 mm / 0.709 in.</i>
<i>Height from the surface</i>	<i>14 mm / 0.551 in.</i>
<i>Depth</i>	<i>14.4 mm / 0.567 in.</i>

Images & drawings



Address

WAGO Kontakttechnik GmbH & Co. KG

Hansastr. 27

32423 Minden

Telefon: 0571/887-0

Fax: 0571/887-169

<http://www.wago.com>

© WAGO Kontakttechnik GmbH & Co. KG

Technische Änderungen und Irrtümer vorbehalten.